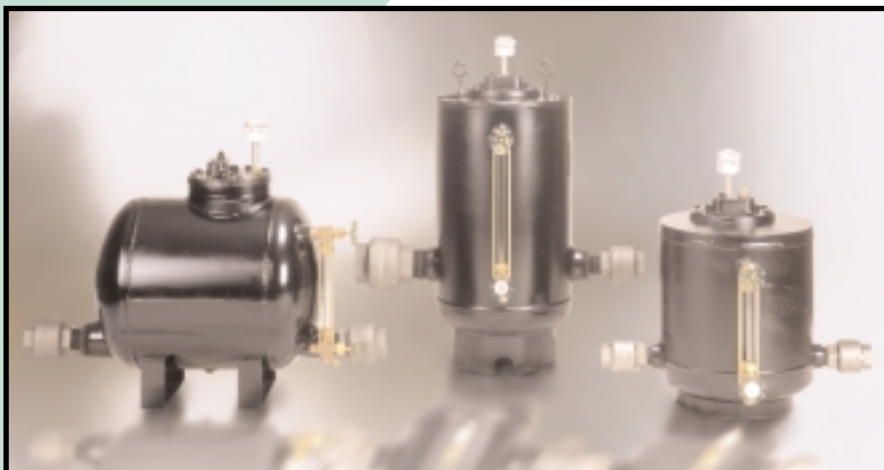


NICHOLSON STEAM TRAPS & SPECIALTIES DESIGNER'S GUIDE

- Mechanical Steam Traps
- Thermostatic Steam Traps
- Thermodynamic Steam Traps
- Condensate Pumps
- Compressed Air Products
- Gasketed Unions
- Sanitary Steam Products
- Drain Orifice Steam Traps



NICHOLSON
STEAM TRAP

A division of CIRCOR International, Inc.

Nicholson steam traps are manufactured by Spence Engineering.

**It is the philosophy of
Nicholson Steam Trap that,
to win and be deserving of the trust of
our customers, we must be ever mindful
of and totally dedicated to quality; in
all that we do; at every level
of our operation.**



ISO 9001

Certificate Number: 33694



NICHOLSON STEAM TRAP is a member of the Fluid Controls Institute.

NICHOLSON STEAM TRAP has a policy of continuous product research and improvement and reserves the right to change design and specifications without notice. Responsibility for typographical errors is specifically disclaimed.

NICHOLSON STEAM TRAP

A division of CIRCOR International, Inc.

Send in your
Designer's Guide
Registration Card
to receive

- Product Updates
and
- New Product
information

Life
is all about
choice.

Give someone you
know a chance to
choose from
our wide variety of
Quality Products.
Give them
a Catalog
Request Card
today!

NICHOLSON STEAM TRAP

A division of CIRCOR International, Inc.

Designer's Guide Registration

Register online at www.nicholsonsteamtrap.com

Date _____
Name _____ Title _____
Company _____
Address _____
City _____ State _____ Zip _____
Phone _____ Ext. _____
Fax _____ Email _____
 Contractor Engineering Firm District Energy Industrial
 Distributor OEM Other _____

NICHOLSON STEAM TRAP

A division of CIRCOR International, Inc.

Catalog Request Card

*If you know someone who would benefit
from a copy of this catalog pass this card on.*

Date _____
Name _____ Title _____
Company _____
Address _____
City _____ State _____ Zip _____
Phone _____ Ext. _____
Fax _____ Email _____
 Contractor Engineering Firm District Energy Industrial
 Distributor OEM Other _____

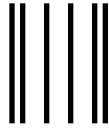
NICHOLSON STEAM TRAP

A division of CIRCOR International, Inc.

Catalog Request Card

*If you know someone who would benefit
from a copy of this catalog pass this card on.*

Date _____
Name _____ Title _____
Company _____
Address _____
City _____ State _____ Zip _____
Phone _____ Ext. _____
Fax _____ Email _____
 Contractor Engineering Firm District Energy Industrial
 Distributor OEM Other _____



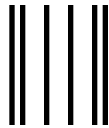
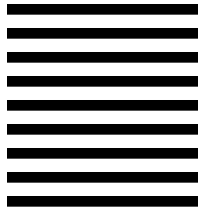
NO POSTAGE
NECESSARY
IF MAILED
IN THE
UNITED STATES

BUSINESS REPLY MAIL

FIRST-CLASS MAIL PERMIT NO. 107 WALDEN NY

POSTAGE WILL BE PAID BY ADDRESSEE

NICHOLSON STEAM TRAP
150 COLDENHAM RD
WALDEN NY 12586-9903



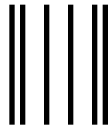
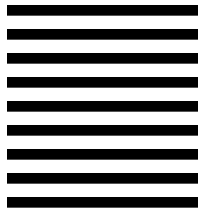
NO POSTAGE
NECESSARY
IF MAILED
IN THE
UNITED STATES

BUSINESS REPLY MAIL

FIRST-CLASS MAIL PERMIT NO. 107 WALDEN NY

POSTAGE WILL BE PAID BY ADDRESSEE

NICHOLSON STEAM TRAP
150 COLDENHAM RD
WALDEN NY 12586-9903



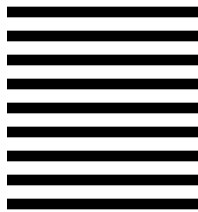
NO POSTAGE
NECESSARY
IF MAILED
IN THE
UNITED STATES

BUSINESS REPLY MAIL

FIRST-CLASS MAIL PERMIT NO. 107 WALDEN NY

POSTAGE WILL BE PAID BY ADDRESSEE

NICHOLSON STEAM TRAP
150 COLDENHAM RD
WALDEN NY 12586-9903



NICHOLSON STEAM TRAP

Nicholson Steam Trap was founded in 1883 by W. H. Nicholson, Sr. He, along with his sons William, George and Samuel produced a variety of steam specialty products at their facility in Wilkes-Barre, Pennsylvania. Trap manufacturing was begun early in the twentieth century with the precursor to our current weight operated series traps. In the 1930's, a wide range of bellows-activated thermostatic traps were developed, the descendants of which are still built today in a modern facility at Walden, New York which manufactures a wide range of products from safety valves to control valves and, of course, steam traps.

The Nicholson Steam Trap product line is focused on the industrial marketplace and features traps ranging from highly polished stainless steel sanitary traps to innovative free float F&T traps. Nicholson thermostatic traps are known throughout the industry for their value and durability. Equally respected in naval yards are Nicholson orifice traps, offering long life and easy maintenance. A recent product introduction is the Condensate Commander Pump; a steam powered pump available in several sizes including prefabricated skid mounted systems. These continue the Nicholson tradition of providing high performance, value-oriented products to the industrial marketplace.

Nicholson Steam Trap, located in Walden, New York, has been producing a full line of steam specialties including steam traps, condensate pumps, sanitary steam traps, air traps and drain orifice unions since 1883. Nicholson Steam Trap is a Division of Spence Engineering Company, Inc.

For more information on Nicholson Steam Trap, visit our website at www.nicholsonsteamtrap.com or reach us via e-mail at sales@nicholsonsteamtrap.com

NICHOLSON **STEAM TRAP**

a Division of Spence Engineering Company, Inc.



TABLE OF CONTENTS

The Nicholson Advantage is Service	4
How to Use this Handbook	5
Steam Trap Selection	6
Types of Steam Traps	6
Selecting a Steam Trap	6
Checklist for Confirming Operating Conditions	7
Steam Trap Application Guide	8
Steam Trap Selection Criteria Matrix	9
Nicholson Steam Trap Options	9

THERMOSTATIC STEAM TRAPS

<i>Liquidator 450 Series Thermostatic Steam Trap Features</i>	10
N125 Series Thermostatic Steam Traps	12
N450 Series Thermostatic Steam Traps	14
Liquidator 450 Series Universal Mount Thermostatic Steam Traps	16
TA Series Thermostatic Steam Traps	18
N650 Series Thermostatic Steam Traps	20
Achiever "A" Series Thermostatic Steam Traps	22
Believer "B" Series Thermostatic Steam Traps	24
Conqueror "C" Series Thermostatic Steam Traps	26

MECHANICAL STEAM TRAPS

<i>Nova NFT250 Series Variable Orifice Steam Traps Features</i>	30
<i>Dura-Flo Inverted Bucket Steam Trap Features</i>	31
Nova NFT250 Series Variable Orifice Steam Traps	32
Nova NFT650 Series Variable Orifice Steam Traps	34
FTN Series Float & Thermostatic Steam Traps	36
Max-Flo Super High Capacity Float & Thermostatic Steam Traps	38
FTE Series Float & Thermostatic Steam Traps	40
Dura-Flo Inverted Bucket Steam Traps	44
Dura-Flo Inverted Bucket Steam Traps PCA Repair Kits	47
FTN Series Float & Thermostatic Steam Traps Repair Kits	47
Sealed SS Dura-Flo Inverted Bucket Steam Traps	48
Repairable SS Dura-Flo Inverted Bucket Steam Traps	50

THERMODYNAMIC STEAM TRAPS

<i>Liquidator UMT-TD Series Thermodynamic Steam Trap Features</i>	52
NTD600 Series Thermodynamic Steam Traps	54
S610 Series Thermodynamic Steam Trap	56
S650 Series Thermo-active Steam Trap	58
Liquidator UMT-TD Universal Mount Thermodynamic Steam Traps	60

ORIFICE STEAM TRAPS

Type DFA Drain Orifice Steam Trap	64
Type DUA Orifice Union Assembly	66

CLEAN STEAM PRODUCTS

CDS Sanitary Thermostatic Steam Traps	70
CDH Sanitary Thermostatic Steam Traps	72
DS100/DS110 Thermostatic Steam Traps	74
DS200 Series Thermostatic Steam Traps	76
Sanitizer NTD 230L Series Sanitary Thermodynamic Steam Traps	78
Steam Scrubber Stainless Steel Filter	80
Type D50 Stainless Steel Steam Pressure Reducing Valve	82

CONDENSATE RECOVERY

<i>Condensate Commander Pump Features</i>	84
Condensate Commander Pump	86
Condensate Commander Classic Pump	87
Condensate Commander Big Boy Pump	88
Condensate Commander Horizontal Pump	89
Condensate Commander Little Boy Pump	90
Condensate Commander Pump Capacity Table	91
Condensate Commander Pump Skid Mounted System	92
Condensate Commander Pump Primer	94
Condensate Commander Pump Checklist	95
Condensate Commander Pump Selection Guidelines	96
Condensate Commander Pump Installations	97

UNIFLEX COUPLINGS AND GENERAL USE VALVES

<i>Uniflex Carbon/Stainless Steel Pipe Couplings Features</i>	100
Uniflex Carbon/Stainless Pipe Couplings	102
Type D Pressure Reducing Valve	104

AIR TRAPS/LIQUID DRAINERS

Drain-Air & Mini-Drains	108
TAV Series Thermostatic Air Vent	110
Eliminator Series Steam Separator	112

PIPING SPECIALTIES

<i>Big Block UMT Valve Station Features</i>	114
Big Block Universal Mount Trap Valve Station	116
STV Series Combination Trap Test & Blocking Steam Valve	118
SS600 Series Noise Diffuser	120
Pneumatic Mufflers	122

STEAM TRAPPING PRIMER

Thermostatic Steam Traps	127
Mechanical Steam Traps	127
Thermodynamic Steam Traps	129
Orifice Steam Traps	129
Sizing Steam Traps	130
Sizing Condensate Return Lines	136
Steam Tracing Design Guidelines	137
Clean Steam Design Guidelines	138
Piping & Trapping Design Guidelines	138
Sizing Eliminator Steam Separators	139

TABLE OF CONTENTS

TECHNICAL REFERENCE

Steam Tables.....	142
Pressure to Vacuum.....	144
Properties of Water.....	144
Condensation Warm-up Loads.....	145
Condensation Loads.....	145
Conversion Tables.....	146
Pipe Data Tables.....	147

APPLICATION DRAWINGS

Oven Heating Coils.....	152
Drip Leg/End of Main Leg.....	153
Shell & Tube Heat Exchanger.....	154
Vessel with Steam Coil Outlet at Top.....	155
Unit Heater.....	156
Flat Work Ironer.....	157
Steam Press.....	158
Jacketed Pressure Vessel.....	159
Pressure Vessel with Dimple Jacket.....	160
Flash Tank with Condensate Booster Pump.....	161
Multi-coil Air Handler.....	162
High Pressure Air Coil.....	163
Dry Can/Calender Roll.....	164
Jacketed Kettle.....	165
Tilting Jacketed Kettle.....	166
Domestic Hot Water.....	167
Glossary of Terms.....	168

THE NICHOLSON ADVANTAGE IS SERVICE

LOCAL TECHNICAL SUPPORT

Nicholson Steam Trap has a network of technically trained Representatives around the world. These Representatives can direct you to local inventory of our products for fast, fast service. They can also help you in the selection and sizing of Steam Traps, Air Traps, Condensate Pumps and other Steam Specialties.

TECHNICAL TRAINING

We offer a regular schedule of workshops covering various technical issues in our state of the art Valve Technology Training Center. We can also schedule customized training sessions to suit your particular needs.

ENGINEERING SEMINARS. These seminars provide the engineer with the skills of steam trap selection and sizing.

DISTRIBUTOR SEMINARS. This seminar will provide you with all the information you need to serve your customers.

MAINTENANCE SEMINARS. Maintenance personnel will receive hands-on training in selection, installation, operation, maintenance and troubleshooting.



NICHOLSON GUARANTEE

Nicholson Steam Trap warrants that the products we manufacture will be free from any defects in material or workmanship for a period of one year (or longer, when specified in product literature) from receipt by purchaser.

INTERNATIONAL SALES

Nicholson is well equipped to provide product to our customers around the world. We regularly ship our products to all parts of the world. Our experienced international sales group can meet the transport and documentation requirements of our international customers with ease. Our network of International Technical Sales Representatives will also be able to provide you with product from local inventory.

CANADIAN SALES

Nicholson maintains a technical sales representative network throughout the Canadian provinces. Nicholson products are registered with Canadian federal and provincial authorities. Canadian Registration Numbers are available. Please consult factory for a particular product CRN.

HOW TO USE THIS HANDBOOK

If you already know the product that you want information on, find the product page in the Table of Contents. Detailed product information on materials, ratings, dimensions, weights and applications are found in the Products Sections. General application and design information is in the Primer Section.

If you are not sure of what you need, collect all the following information. You will need it to select the right product for your needs.

Service (i.e.: Steam, Compressed Air, Water, etc.)

Inlet Pressure

Flow Rate (or Capacities)

Outlet or Condensate Return Pressure

Application (i.e.: Condensate Removal, Pump, Pipe Couplings, etc.)

Application data is listed on all Product Pages. If you identify the nature of the installation, it will assist you selecting the proper equipment.

WHAT KIND OF TRAP IS NEEDED?

Bucket? F&T? Disc? Steam Pump? First the objective must be defined - then a trap must be chosen. If pumping is required then a condensate commander must be selected. Once the requirements for condensate removal have been defined, the primer section may be consulted to best match product characteristics to the application at hand. Following the primer section the trap selection guide should help refine the search. For those who possess a basic understanding of traps and the Nicholson product line, starting with the trap selection guide may be appropriate.

Once the application parameters have been defined (e.g. condensate removal from a 70 psi steam system, drip leg application, continuous duty, 180 lb/hr condensate flow) and a design of trap decided upon (e.g. thermostatic, carbon or stainless steel construction, 200 psi minimum operating pressure, integral strainer) the product section should be consulted to determine the range of traps available. Often several traps may meet the need. General preferences such as repairable design versus sealed, maintenance free designs, size and piping configuration, and cost are a few considerations that will help select a specific type trap.

ECONOMICAL, LONG LIFE, OR BEST SUITED FOR THE APPLICATION

Unfortunately, the best trap for an application may not necessarily be the least expensive or have the longest life span. Typically, other considerations such as ease of maintenance, initial cost, piping considerations, etc. may influence trap selection. The product section will list all pertinent specifications including overall length and features that may influence trap selection.

HOW TO FIND NICHOLSON TRAPS

Nicholson Steam Traps are manufactured and stored in Walden, New York, a village located in the lower Hudson Valley about 60 miles north of New York City. Nicholson goes to market through Manufacturers' Representatives and Stocking distributors across the country. To find the nearest stocking location, contact the Nicholson factory at 845-778-5566 or visit our web site at www.nicholsonsteamtrap.com.

STEAM TRAP SELECTION

Types of Steam Traps

Type	Thermostatic		Mechanical	Thermodynamic		Orifice
	Bellows	Bimetal	F & T	Bucket	Disc	Orifice
Condensate Discharge	Intermittent	Intermittent	Continuous	Intermittent	Intermittent	Continuous

- The optimum application of a trap is dependent upon the characteristics of the process and equipment with which it is used and its pattern of condensate discharge.
- The discharge capacity of a trap is determined by the pressure differential (trap inlet pressure minus outlet pressure) and the size of the orifice. Thermodynamic and Thermostatic traps (radiator and temperature modulating) have a fixed orifice size.
- Mechanical traps differ from the other types in that their orifice (discharge opening) must be selected to accommodate the maximum operating differential pressure.

Caution Failure to select the proper orifice may result in insufficient discharge capacity, waterlogging or locking of the trap.

Selecting a Steam Trap

It is important to select a product with the optimum capacity from the many types which are available. Use the following procedure to make sure the correct product is selected.

1

Application

Define the application and the type of service in which it will be used.

The conditions under which a trap must operate will differ according to where it is installed.



Steam Trap Application Guide

2

Confirmation of Operating Conditions

Check the maximum operating pressure, temperature, discharge rate and other conditions.

Do not oversize the trap. Select the smallest capacity trap, yet avoid undersizing and ensure safe, accurate operation given the conditions of inlet pressure, temperature and pressure differential under which it will operate.



Check List for Confirming Operating Conditions

Discharge Rate Tables for Each Model

3

Maintenance Preference

Confirm whether inline repair feature or maintenance free technology is desirable.



Specification Tables for Each Model

CHECK LIST FOR CONFIRMING OPERATING CONDITIONS

(A) Confirmation of Conditions

1. What is the application?
2. Which trap is appropriate for the application?^{*1}
3. What is the trap inlet pressure?^{*2}
4. What is the outlet pressure?^{*2}
5. What is the condensate load?

	psig
	psig
	lb/Hr

(B) Selection

1. The required discharge capacity of the trap is ___ times^{*3} the amount of condensate generated.
2. Inlet pressure – Outlet pressure = Pressure differential.
3. Select a trap with a maximum operating pressure equal to or slightly above the inlet pressure to the trap.
4. Select a discharge rate for the pressure differential from the discharge capacity chart.

Discharge	Product name	Pressure differential	Required discharge capacity
<input type="checkbox"/>		psig	lb/Hr
<input type="checkbox"/>			
<input type="checkbox"/>			

5. The trap with the smallest discharge capacity greater than that required is the optimum trap.
6. Connection size in
7. Connection Type
 Screwed Flanged (flange standard _____) Socketweld

*1. See tables for selection of a steam trap by application.

*2. If unknown, is condensate recovered? Yes No...(back pressure = 0 psig)

If condensate is recovered

① How many feet does the trap outlet rise?	<input type="text"/> ft.	x 0.5 =	<input type="text"/> psig
② What is the total pipe length from the trap to the recovery tank?	<input type="text"/> ft.	x 0.01 =	<input type="text"/> psig
③ What is the pressure of the condensate recovery tank?			<input type="text"/> psig
④ Add ①, ② and ③{This is the outlet pressure (back pressure).}	① + ② + ③ =		<input type="text"/> psig

*3. Safety Factor
 The margin of safety which is determined by the operating characteristics of each piece of equipment is referred to as the "safety factor." The safety factor required will differ according to the type of trap (type of condensate discharge). The discharge rate table for each model shows the values for condensate discharge when the trap is fully open, and the maximum rated condensate load on the equipment should correspond to the value obtained by dividing this discharge rate by the safety factor (see Steam Trap Application Guide on opposite page).

STEAM TRAP APPLICATION GUIDE

This guide is designed to direct the user to a General Steam Trap Technology section. Once a technology is selected, additional details, regarding specific steam traps, can be found in the catalog under the Technology Selection tab.

These choices, in the Guide, are based on many years of steam trap manufacturing experience. The choices, however are not limited to these alone. Variations in individual systems (superheat, water hammer, insulation, etc.), as well as personal preference, should be taken into consideration.

Application	Thermo-static	Thermo-dynamic	Free Float	Inverted Bucket	Float & Thermostatic	Orifice	Minimum Safety Factor
Drip & Tracing							
Main Drip to 30 PSIG	1		2	3	2	4	1.5:1
to 300 PSIG	1	2	3	2	3	3	1.5:1
to 650 PSIG	1	2			3	2	1.5:1
to 2500 PSIG						1	1.5:1
Steam Tracing	1	2	2	2	2	3	1.5:1
Process							
Heat Exchanger to 20 PSIG	2		1	2	1		2:1
to 150 PSIG	1		1	2	1		2:1
to 300 PSIG	1		1	2	1		2:1
to 600 PSIG			1				2:1
Cooker/Reactor to 15 PSIG	2		1	3	1		3:1
to 60 PSIG	1		1	3	1		3:1
to 150 PSIG	1		1	3	1		3:1
to 600 PSIG	2		1				3:1
Pressing to 100 PSIG	1		1	2	1		3:1
to 300 PSIG	1	2	2	2			3:1
Reboiler	2		1	3	1		2:1
Rotating Cylinders	2*		1*	2		3	3:1
Sterilizer	1		2		2		2:1
Tank Heating Storage	1		2		2		1.5:1
Line Heater	1		2		2		3:1
Evaporator			1	2	2		2:1
HVAC							
Air Heating Coils to 15 PSIG	2		1	3	1		2:1
to 60 PSIG	2		1	2	1		2:1
to 250 PSIG	2		1				3:1
Radiator	1					4	2:1
Unit Heater	1		1	2	1		2:1
Absorption Chiller	2		1	2	1		2:1

*Requires Steam Lock Release

KEY Blank = not recommended
 1 = First Choice 3 = Third Choice
 2 = Second Choice 4 = Fourth Choice

STEAM TRAP SELECTION CRITERIA MATRIX

FUNCTION	Thermostatic	Thermodynamic	Mechanical		Orifice	Free Float
			F & T	IB		
Response to Load Changes	Moderate	Slow	Fast	Moderate	Very Slow	Fast
Air Venting	High	Low	Med/High	Low	Low	High
Thermal Efficiency	High	Medium	Med/High	Medium	High†	Med/High
Applications	Drip Legs Tracing Process Eqpt.	Drip Legs Tracing	Drip Legs Process Eqpt.	Drip Legs Process Eqpt.	Drip Legs	Drip Legs Process Eqpt.
Affected By Ambient Temperatures	No (unless insulated)	Yes	No (susceptible to freezing)		No	No (may freeze)
Relative Cost	Low	Low	Meduim	Med/Low	Low	Meduim
Capacity	Medium	Low	High		Low	High
Pressure Range	to 650 psi	10 to 600 psi	to 650 psi	to 250 psi	to 2500 psi	to 650 psi
Size vs. Capacity	Small	Medium	Large		Small	Large
Life Expectancy	Moderate	Moderate	Moderate	Moderate	Long	Long
Ease of Maintenance	Very Easy	Very Easy	Moderate		Very Easy	Moderate
Orientation Limits	No	No	Yes		No	Yes

† Within narrow load range.

NICHOLSON STEAM TRAP OPTIONS

Steam Lock Release (SLR) Orifice

Specify where immediate elimination of condensate and improved sensitivity is desired. This option may also improve performance in applications where condensate must be lifted upstream from the trap. Allows continuous discharge of condensate. Trap will nominally pass 50 lb/hr of condensate at 50 psi within 2°F of saturated temperature.

Skirted Seat Trim

Recommended for higher pressure service, often over 300 psi. Minimizes erosion by dispersing trap discharge.

Sterilizer Trim

Specify where immediate elimination of condensate and improved sensitivity is desired. Shorter seat opens more quickly in presence of condensate. Hotter discharge temperature.

Internal Strainer

Recommended where steam may be contaminated with pipe scale or other particulate matter. Screen reduces deposits on valve and seat.

Blowdown Valve

Specify to clean strainer area and remove debris trapped before strainer. Also used to determine whether steam or water is present before the steam trap.

ISO Filled Actuator

Specify to reduce flash steam, provide highest thermal efficiency and/or air vent operation is desired. This option will subcool condensate by approximately 40°F. For use in applications above 500 psig and/or for superheated steam.

Welded Actuator

Specify where long service life and/or fail open operation is desired.

Continuous Bleed Air Vent

Replaces thermostatic air vent with a 1/32 inch orifice.

LIQUIDATOR 450 Series Thermostatic Steam Trap

*Pressures To 450 PSIG
Temperatures to 600°F*

Applications

- Unit Heaters
- Steam Tracing
- Drip Legs
- Tire Presses
- Air Vents
- Laundry Equipment
- Plating Tanks
- Platen Presses
- Cooking Equipment

Easily Maintained

Four bolt cover permits easy in-line rebuilding for less than the cost of replacement.

Excellent Energy Savings

Positive shutoff and thermostatic action assure no loss of steam during normal operation.

Fits all Universal Connectors

Liquidator body will replace any manufacturers' universal mount trap body.

Easily Replaced

Two bolt design permits rapid removal without breaking pipe connections.

Freeze Proof

Self draining when installed vertically.

Optional Integral Strainer

Helps prevent dirt and scale build-up on valve seat.

Durability and Long Service Life

Stainless steel body and cover with stainless steel welded actuator for maximum corrosion, thermal and hydraulic shock resistance.

Rapid Startup with Outstanding Air Handling

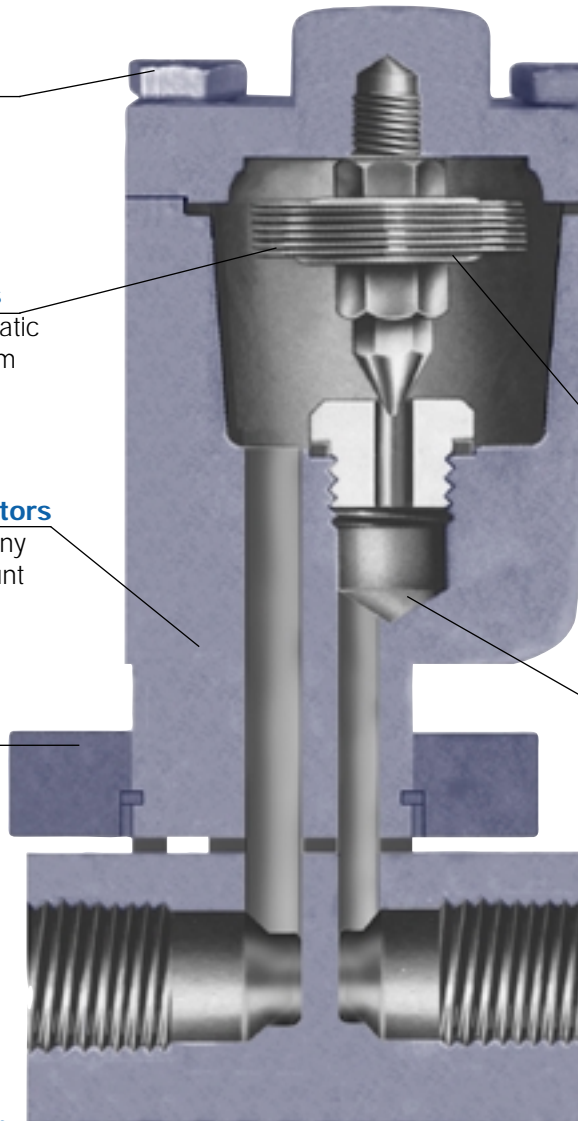
Thermostatic action responds quickly to eliminate air and other non-condensibles. Large startup capacity.

Water Tight Seal

Hardened stainless steel valve and seat lapped as a matched set assure tight seal and long life.

3 Year Guarantee

Guaranteed against defects in material and workmanship.

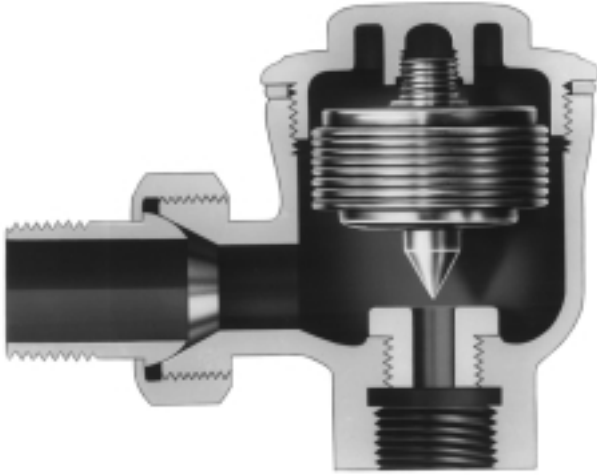


THERMOSTATIC STEAM TRAPS

NICHOLSON is the originator of the bellows actuated Thermostatic Steam Trap. **NICHOLSON**'s thermostatic product range spans applications from critical tracing to high capacity process. High sensitivity, immediate air venting and exceptional thermal efficiency are the hallmark of **NICHOLSON** Thermostatic Steam Traps.

N125 SERIES THERMOSTATIC STEAM TRAPS

Pressures to 125 PSIG (8.75 barg)
Temperatures to 400°F (204°C)



APPLICATIONS

- Steam Tracing
- Drip Legs
- Automatic Air Vents
- Sterilizers
- Cooking Kettles
- Water Heaters
- Laundry Equipment
- Radiators
- Process Equipment
- Air Handlers

OPTIONS *See page 9*

- ST - Sterilizer Trim (1/4 & 5/16 orifice sizes)
- SLR - SLR Orifice
- S - Internal Stainless Strainer
- ISO - ISO Filled Actuator
- HC - High Capacity

Canadian Registration # 0E0591.9

Superior Performance — Hardened valve and seats are lapped in matched sets, providing tight shutoff and long service life.

Improved Energy Savings — Maximum elimination of air and non-condensibles—trap closes at saturated steam temperature.

Temperature Sensitive Actuators — One moving part. Stainless Steel, fail open or fail closed, welded actuator for maximum corrosion, thermal and hydraulic shock resistance.

Freeze Proof — Threaded male union horizontal inlet and vertical outlet—self draining.

In-line Maintenance — Threaded cover for one step removal, inspection and service without breaking pipe connections.

Air Vent — Efficient steam service air vent when equipped with ISO Bellows and installed in air vent location.

Guaranteed — Guaranteed against defects in materials or workmanship for 3 years.

MODELS*

- N125 – Standard capacity
- N125L – Low capacity
- N125HC – High capacity
- N125ST-FC – Standard capacity w/sterilizer seat
- N125STHC-FC—High capacity w/sterilizer seat

*Add (-FC) for fail closed or (-FO) for fail open to end of model number

OPERATION

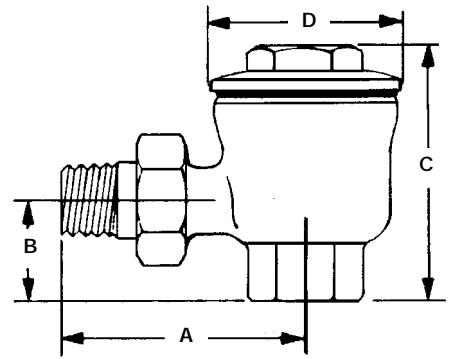
Thermal actuator is filled at its free length with a liquid having a lower boiling point than water. On start-up, valve is normally open. When steam enters trap, thermal actuator fill vaporizes to a pressure higher than line pressure. This forces valve into seat orifice to prevent any further flow. As condensate collects, it takes heat from thermal

actuator, lowering internal pressure. Line pressure will then compress thermal actuator to open valve and discharge condensate. Valve opening automatically adjusts to load conditions from minimum on very light loads to full lift at maximum load. Restricted orifice in N125L (small opening at bottom of valve seat) prevents trap from discharging continuously on light loads.

N125 SERIES THERMOSTATIC STEAM TRAPS

SPECIFICATION

Steam trap shall be of balanced pressure design with stainless steel welded actuator capable of discharging condensate within 10°F of saturated temperature. Where greater sensitivity is required, SLR orifice and Sterilizer trim will be available to allow condensate evacuation at or near saturated temperatures. Where subcooling of condensate is desired alternate thermostatic actuator will be available to allow condensate evacuation at or near 40°F below saturated temperatures. Thermostatic actuator shall employ a conical valve lapped in matched sets with the seat ring assuring tight shut off. A minimum of three orifice sizes shall be available allowing for custom capacity sizing. Trap shall be bronze bodied suitable for pressures through 125 psig and available in 3/8" through 3/4" NPT connections.



Connections: 3/8"-3/4" NPT

MAXIMUM OPERATING CONDITIONS

PMO: Max. Operating Pressure 125 psig (8.75 barg)
 TMO: Max. Operating Temperature 400°F (204°C)
 PMA: Max. Allowable Pressure 125 psig (8.75 barg)
 TMA: Max. Allowable Temperature 400°F (204°F)

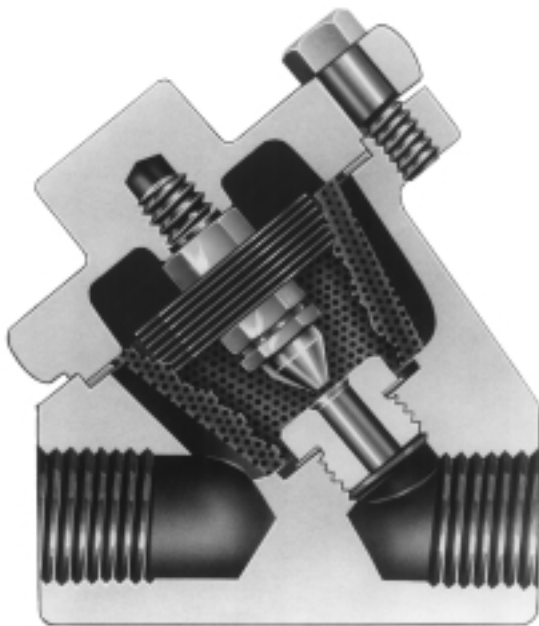
Dimensions					
Size	Inch (mm)				Weight lb (kg)
	A	B	C	D	
3/8, 1/2	2 3/4 (70)	1 1/8 (29)	2 7/8 (73)	2 5/32 (54)	1.5 (.68)
3/4	3 3/8 (81)	1 1/8 (40)	3 (76)	2 5/32 (54)	1.8 (.82)

MATERIALS OF CONSTRUCTION

Body & Cover ASTM B283 C37700
 ActuatorWelded Stainless Steel
 Cover GasketCopper Jacketed
 Valve & SeatHardened 416 Stainless Steel

Maximum Capacity—lbs/hr 10°F Below Saturation (Kg/hr 5°C Below Saturation)							
Trap	Orifice Inch (mm)	Differential PSIG (barg)					
		5 (0.34)	10 (0.7)	20 (1.4)	50 (3.5)	100 (6.9)	125 (8.6)
N125L	1/8 (3)	216 (98)	265 (120)	375 (170)	592 (269)	778 (354)	838 (383)
N125 N125ST	1/4 (6)	550 (249)	825 (374)	1210 (549)	1975 (896)	2825 (1281)	3140 (1424)
N125HC N125STHC	5/16 (8)	860 (390)	1220 (554)	1725 (783)	2725 (1237)	3575 (1623)	3850 (1748)

Nicholson recommends ISO filled Actuator for superheated steam.



N450 SERIES THERMOSTATIC STEAM TRAPS

Pressures to 450 PSIG (31 barg)
Temperatures to 600°F (316°C)

Compact — Easy to Install.

Inexpensive — Low initial cost.

Improved Energy Savings — High efficiency—maximum elimination of air and non-condensibles.

Temperature Sensitive Actuators — One moving part. Stainless Steel, fail open, welded actuator for maximum corrosion, thermal and hydraulic shock resistance.

Hardened Stainless Steel Valve and Seat — Long life. Lapped as a matched set for water tight seal.

Easily Maintained — Can be inspected and serviced without breaking pipe connections.

Freeze Proof — Self draining when installed vertically.

For Superheated Steam Applications — Because the trap closes at saturated steam temperature, superheated steam cannot reach trap.

Air Vent — Efficient steam service air vent when equipped with ISO filled Actuator and installed in air vent location.

Guaranteed — Guaranteed against defects in materials or workmanship for 3 years.

Positive Shutoff and Long Life — Integral Stainless Steel Strainer helps prevent debris depositing on valve and seat.

APPLICATIONS

- Unit Heaters
- Air Vents
- Steam Tracing
- Drip Legs
- Platen Presses
- Plating Tanks
- Sterilizers
- Tire Presses
- Cooking Equipment
- Laundry Equipment
- Other Process Equipment

OPTIONS *See page 9*

- SK - Skirted Seat*
- SLR - SLR Orifice
- ISO - ISO Filled Actuator*
- S - Internal SS Strainer (std. on N451)
- ST - Sterilizer Trim
- SW - Socketweld

*Not available on N451

MODELS*

- **N451-FO**—Low capacity, fail open only
- **N452**—Reduced capacity
- **N453**—Standard capacity
- **N454**—High capacity

*Add (-FC) for fail closed or (-FO) for fail open to end of model number

Canadian Registration # OE0591.9

OPERATION

Thermal actuator is filled at its free length with a liquid having a lower boiling point than water. On start-up, valve is normally open. When steam enters trap, thermal actuator fill vaporizes to a pressure higher than line pressure. This forces valve into seat orifice to prevent any further flow. As condensate collects, it takes heat from thermal actuator, lowering internal

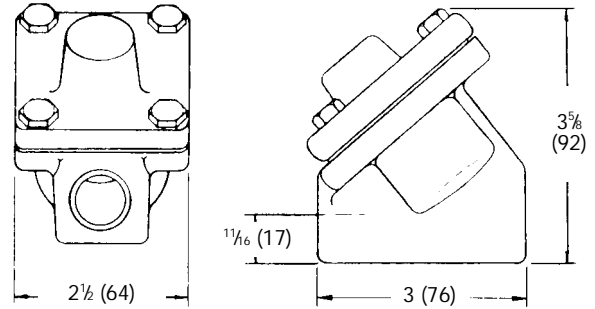
pressure.

Line pressure will then compress thermal actuator to open valve and discharge condensate. Valve opening automatically adjusts to load conditions from minimum on very light loads to full lift at maximum load. Restricted orifice in the N451 seat (small opening at bottom of valve seat) prevents trap from discharging continuously on light loads such as are encountered on tracer lines.

N450 SERIES THERMOSTATIC STEAM TRAPS

SPECIFICATIONS

Steam trap shall be of balanced pressure design with stainless steel welded actuator capable of discharging condensate within 10°F of saturated temperature. Where greater sensitivity is required, SLR orifice and Sterilizer trim will be available to allow condensate evacuation at or near saturated temperatures. Where subcooling of condensate is desired alternate thermostatic actuator will be available to allow condensate evacuation at or near 40°F below saturated temperatures. Thermostatic actuator shall employ a conical valve lapped in matched sets with the seat ring assuring tight shut off. A minimum of three orifice sizes shall be available allowing for custom capacity sizing. Trap shall be forged carbon steel bodied suitable for pressures through 450 psig and available in 1/2" and 3/4" NPT or socket weld.



WEIGHT: 3 LBS. (1.4 KG)

Connections:
1/2" or 3/4" NPT or socketweld

MAXIMUM OPERATING CONDITIONS

PMO: Max. Operating Pressure† 450 psig (31 barg)
TMO: Max. Operating Temperature 600°F (316°C)

PMA: Max. Allowable Pressure 450 psig (31 barg)
TMA: Max. Allowable Temperature 750°F (399°C)

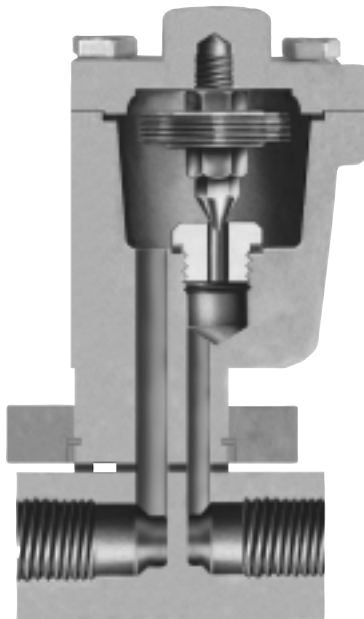
† Consult factory for pressures greater than 300 psi.

MATERIALS OF CONSTRUCTION

BodyASTM A105 Forged Steel
CoverASTM A351 Grade CF8 (304)
Cover Gasket304 SS Spiral Wound w/Graphite Fill
ActuatorWelded Stainless Steel
Strainer033 Perf. 304 Stainless Steel
Valve & SeatHardened 416 Stainless Steel

Maximum Capacity—lbs/hr 10°F Below Saturation (Kg/hr 5°C Below Saturation)														
Trap	Orifice Inch (mm)	Differential PSIG (barg)												
		5 (0.34)	10 (0.7)	20 (1.4)	50 (3.4)	100 (6.7)	125 (8.4)	150 (10.1)	200 (13.4)	250 (16.8)	300* (20.1)	350* (24.1)	400* (27.6)	450* (31.0)
N451	5/64 (2)	84 (38)	119 (54)	168 (76)	265 (120)	348 (158)	375 (170)	398 (181)	439 (199)	472 (214)	502 (228)	529 (240)	553 (251)	575 (261)
N452	1/8 (3)	216 (98)	265 (120)	375 (170)	592 (269)	778 (354)	838 (381)	890 (405)	980 (445)	1055 (480)	1121 (510)	1180 (536)	1235 (561)	1284 (584)
N453	1/4 (6)	550 (249)	825 (374)	1210 (549)	1975 (896)	2825 (1281)	3140 (1424)	3425 (1554)	3650 (1656)	3960 (1796)	4100 (1860)	4230 (1919)	4420 (2005)	4600 (2086)
N454	5/16 (8)	860 (390)	1220 (554)	1725 (783)	2725 (1237)	3575 (1623)	3850 (1748)	4090 (1857)	4505 (2045)	4850 (2202)	5155 (2340)	5425 (2463)	5675 (2576)	5900 (2679)

* Nicholson recommends skirted seat above 300 PSIG (20.7 bar). Nicholson recommends ISO filled Actuator for superheated steam.



UMT SERIES TRAP AND UMTC CONNECTOR

APPLICATIONS

- Unit Heaters
- Steam Tracing
- Drip Legs
- Tire Presses
- Cooking Equipment
- Laundry Equipment
- Plating Tanks
- Platen Presses
- Air Vents

OPTIONS

- SLR - SLR Orifice*
- ISO - ISO Filled Actuator*
- SW - Socketweld
- B - Blowdown Valve

*Not available on UMT451T

Canadian Registration # OE1388.6

For information on Big Block UMTVS-BB Connector
SEE PAGE 116

OPERATING PRINCIPLE

Thermal actuator is filled at its free length with a liquid having a lower boiling point than water. On start-up, valve is normally open. When steam enters trap, thermal actuator fill vaporizes to a pressure higher than line pressure. This forces valve into seat orifice to prevent any further flow. As condensate collects, it takes heat from thermal actuator,

LIQUIDATOR 450 SERIES

UNIVERSAL MOUNT THERMOSTATIC STEAM TRAPS

Pressures to 450 PSIG (31 barg)
Temperatures to 600°F (316°C)

Easily Maintained — Universal two bolt swivel mounting simplifies removal from system. Kits allow flexibility to replace or rebuild.

Simple Installation — Stainless mounting block mounts permanently into system. Trap installs via two bolt universal connection.

Improved Energy Savings — High efficiency—maximum elimination of air and non-condensibles.

Temperature Sensitive Actuators — One moving part. Stainless Steel, fail open, welded actuator for maximum corrosion, thermal and hydraulic shock resistance.

Hardened Stainless Steel Valve and Seat — Long life. Lapped as a matched set for water tight seal.

Easily Maintained — Can be inspected and serviced without breaking pipe connections.

Freeze Proof — Self draining when installed vertically.

For Superheated Steam Applications — Because the trap closes at saturated steam temperature, superheated steam cannot reach trap.

Air Vent — Efficient steam service air vent when equipped with ISO filled Actuator and installed in air vent location.

Guaranteed — Traps are guaranteed against defects in materials or workmanship for three years.

Positive Shutoff and Long Life — Integral Stainless Steel Strainer helps prevent debris depositing on valve and seat.

MODELS

- UMT-TD10L—Low Capacity Trap
- UMT-TD10—Standard Capacity Trap
- UMTC—Standard connector (1/2" & 3/4" only)
- UMTCY-RH—Right Hand Connector w/Y strainer*
- UMTCY-LH—Left Hand Connector w/Y strainer*
- UMTVS-BB—Connector with Isolation Valves, Strainer, Blowdown Valve and Test Port

For complete unit, order trap and connector as separate items.

*Add (-B) for Blowdown Valve.

lowering internal pressure. Line pressure will then compress thermal actuator to open valve and discharge condensate. Valve opening automatically adjusts to load conditions from minimum on very light loads to full lift at maximum load. Restricted orifice in UMT451T (small opening at bottom of valve seat) prevents trap from discharging continuously on light loads such as are encountered on tracer lines.

LIQUIDATOR 450 SERIES UNIVERSAL MOUNT THERMOSTATIC STEAM TRAPS

SPECIFICATIONS

Steam trap shall be of balanced pressure design with stainless steel welded actuator capable of discharging condensate within 10°F of saturated temperature. Where greater sensitivity is required, SLR orifice and Sterilizer trim will be available to allow condensate evacuation at or near saturated temperatures. Where subcooling of condensate is desired alternate thermostatic actuator will be available to allow condensate evacuation at or near 40°F below saturated temperatures. Thermostatic actuator shall employ a conical valve lapped in matched sets with the seat ring assuring tight shut off. A minimum of two orifice sizes shall be available allowing for custom capacity sizing. Trap shall be stainless steel bodied suitable for pressures through 450 psig. Trap connection shall be two bolt universal swivel mount. Mounting block shall be stainless steel and available in 1/2" through 1" NPT or socket weld.

MAXIMUM OPERATING CONDITIONS

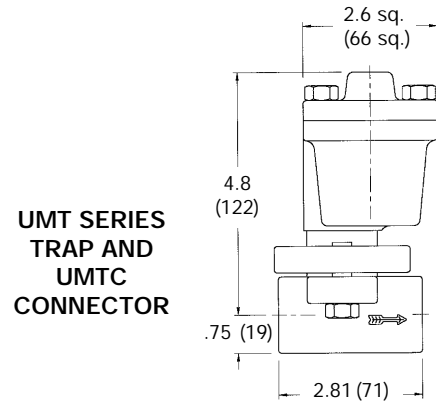
Traps with Welded Stainless Actuator
 PMO: Max. Operating Pressure 450 psig (31 barg)
 TMO: Max. Operating Temperature 600°F (316°C)

Traps with Welded Stainless Actuator, ISO
 PMO: Max. Operating Pressure 450 psig (31 barg)
 TMO: Max. Operating Temperature 600°F (316°C)

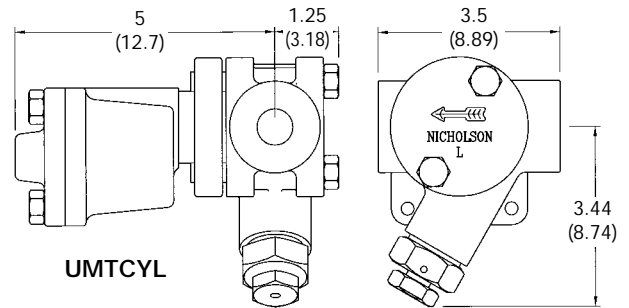
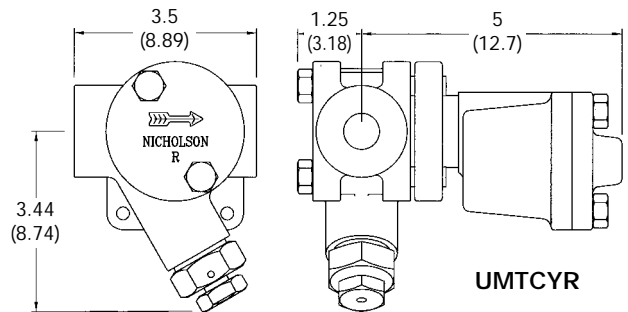
All Traps
 PMA: Max. Allowable Pressure 450 psig (31 barg)
 TMA: Max. Allowable Temperature 750°F (399°C)

MATERIALS OF CONSTRUCTION

Body & CoverASTM A351 Grade CF8 (304)
 Cover Gasket.....304 stainless spiral wound w/graphite fill
 ActuatorWelded SS
 Strainer033 perf. 304 Stainless Steel
 Valve & SeatHardened 416 Stainless Steel
 Mounting BlockASTM A351 Grade CF8 (304)



Connections:
 1/2", 3/4" or 1" NPT or socket weld



DIMENSIONS - INCHES (MM)

WEIGHT

TRAP - 3.2 LBS. (1.4 KG)

STD. MOUNTING BLOCK - 1.1 LBS. (0.5 KG)

Y STRAINER MOUNTING BLOCK - 2.3 LBS. (1.0 KG)

Maximum Capacity—lbs/hr 10°F Below Saturation (Kg/hr 5°C Below Saturation)														
Trap	Orifice Inch (mm)	Differential PSIG (barg)												
		5 (0.34)	10 (0.7)	20 (1.4)	50 (3.4)	100 (6.7)	125 (8.4)	150 (10.1)	200 (13.4)	250 (16.8)	300 [†] (20.1)	350 (24.1)	400 (27.6)	450 (31.0)
UMT451T	5/64 (2)	84 (38)	119 (54)	168 (76)	265 (120)	348 (158)	375 (170)	398 (181)	439 (199)	472 (214)	502 (228)	529 (240)	553 (251)	575 (261)
UMT452T	1/8 (3)	216 (98)	265 (120)	375 (170)	592 (269)	778 (354)	838 (381)	890 (405)	980 (445)	1055 (480)	1121 (510)	1180 (536)	1235 (561)	1284 (584)
UMT453T	1/4 (6)	550 (249)	825 (374)	1210 (549)	1975 (896)	2825 (1281)	3140 (1424)	3425 (1554)	3650 (1656)	3960 (1796)	4100 (1860)	4230 (1919)	4420 (2005)	4600 (2086)

ISO filled Actuator recommended for superheated steam.



TA SERIES THERMOSTATIC STEAM TRAPS

**Pressures To 650 PSIG (44.8 barg)
Temperatures to 750°F (400°C)**

Sealed Stainless Steel Body — Lightweight, compact and corrosion resistant. No bolts or gaskets. Eliminates body leaks.

Self Centering Valve — Leak tight shutoff. Improved energy savings. Assembly of actuator and valve to impingement plate allows valve to self-align with center of valve seat orifice. Provides long lasting valve and seat.

Temperature Sensitive Actuators — One moving part. Stainless Steel, fail open or fail closed, welded actuator for maximum corrosion, thermal and hydraulic shock resistance.

For Superheated Steam Applications — Because the trap closes at saturated steam temperature, superheated steam cannot reach trap.

Thermal and Hydraulic Shock Resistant — Impingement plate plus welded construction prevent damage to actuator.

Hardened Stainless Steel Valve and Seat — Long life. Lapped as a matched set for water tight seal.

Inexpensive — Low initial cost.

Maintenance Free — Sealed unit. Replacement traps cost less than repair of more expensive in-line repairable traps.

Freeze Proof — Self draining when installed vertically.

Directional Discharge — Pipe thread erosion prevented by directing discharge to center of pipe.

Air Vent — Efficient steam service air vent when equipped with ISO Bellows and installed in air vent location.

Guaranteed — Guaranteed against defects in materials or workmanship for 3 years.

MODELS*

- TA502—Reduced capacity
- TA503—Standard capacity
- TA504—High capacity

*Add (-FC) for fail closed or (-FO) for fail open to end of model number

APPLICATIONS

- Unit Heaters
- Air Vents
- Steam Tracing
- Drip Legs
- Platen Presses
- Plating Tanks
- Sterilizers
- Tire Presses
- Cooking Equipment
- Laundry Equipment
- Other Process Equipment

OPTIONS *See page 9*

- ISO - ISO Filled Actuator
- SLR - SLR Orifice
- SW - Socketweld

Canadian Registration # 0E0591.9

OPERATION

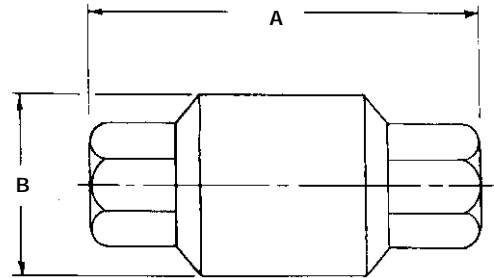
Thermal actuator is filled at its free length with a liquid having a lower boiling point than water. As assembled, valve is normally open. When very hot condensate enters trap, thermal actuator fill vaporizes to a pressure higher than line pressure. This forces valve into seat orifice to prevent any further flow. As condensate collects, it takes heat from the actuator, lowering internal

pressure. Line pressure will then compress thermal actuator to open valve and discharge condensate. Valve opening automatically adjusts to load conditions from minimum on very light loads to full lift at maximum load. Restricted orifice in TA502 (small opening at bottom of valve seat) prevents trap from discharging continuously on light loads such as are encountered on tracer lines.

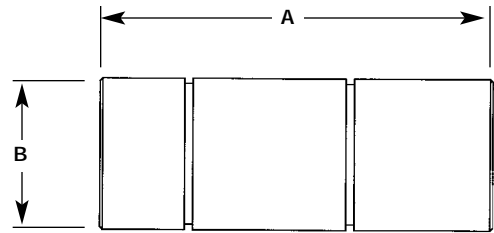
TA SERIES THERMOSTATIC STEAM TRAPS

SPECIFICATION

Steam trap shall be of balanced pressure design with stainless steel welded actuator capable of discharging condensate within 10°F of saturated temperature. Where greater sensitivity is required or protection from flash steam locking, a SLR orifice shall be available to allow condensate and flash steam evacuation at or near saturated temperatures. Where subcooling of condensate is desired alternate thermostatic actuator will be available to allow condensate evacuation at or near 40°F below saturated temperatures. Thermostatic actuator shall employ a conical valve lapped in matched sets with the seat ring assuring tight shut off. A minimum of three orifice sizes shall be available allowing for custom capacity sizing. Trap shall be stainless steel bodied suitable for pressures to 650 psig and available in 3/8" through 1" NPT or socketweld.



3/8" - 3/4" BODY



1" BODY

Connections:
3/8" – 1" NPT or socketweld

MAXIMUM OPERATING CONDITIONS

Standard Traps

PMO: Max. Operating Pressure 500 psig (34.5 barg)
TMO: Max. Operating Temperature 600°F (316°C)

ISO Option Traps

PMO: Max. Operating Pressure 650 psig (44.8 barg)
TMO: Max. Operating Temperature 650°F (343°C)

All Traps

PMA: Max. Allowable Pressure 650 psig (44.8 barg)
TMA: Max. Allowable Temperature 750°F (400°C)

MATERIALS OF CONSTRUCTION

Body & CoverASTM A351 Grade CF3M (316L)
ActuatorWelded Stainless Steel
Valve & SeaHardened 416 Stainless Steel

Dimensions			
NPT or Socket weld	inches (mm)		Weight Lbs. (kg)
	A	B	
3/8, 1/2"	3 3/4 (95)	1 3/4 (44)	1.1 (0.5)
3/4"	3 15/16 (100)	1 3/4 (44)	1.2 (0.54)
1"	4 3/8 (111)	1 3/4 (44)	1.6 (0.73)

Maximum Capacity—lbs/hr 10°F Below Saturation (Kg/hr 5°C Below Saturation)

Trap	Orifice Inch (mm)	Differential PSIG (barg)																
		5 (0.34)	10 (0.7)	20 (1.4)	50 (3.5)	100 (6.9)	125 (8.62)	150 (10.3)	200 (13.8)	250 (17.2)	300 (20.7)	350 (24.1)	400 (27.6)	450 (31.0)	500 (34.5)	550* (37.9)	600* (41.4)	650* (44.8)
TA502	1/8 (3)	216 (98)	265 (120)	375 (170)	592 (269)	778 (354)	838 (381)	890 (405)	980 (445)	1055 (480)	1121 (510)	1180 (536)	1235 (561)	1284 (584)	1331 (604)	1377 (625)	1425 (646)	1471 (667)
TA503	1/4 (6)	550 (249)	825 (374)	1210 (549)	1975 (896)	2825 (1281)	3140 (1424)	3425 (1554)	3650 (1656)	3960 (1796)	4100 (1860)	4230 (1919)	4420 (2005)	4600 (2086)	4760 (2161)	4910 (2232)	5060 (2297)	5190 (2359)
TA504	5/16 (8)	860 (390)	1220 (554)	1725 (783)	2725 (1237)	3575 (1623)	3850 (1748)	4090 (1857)	4505 (2045)	4850 (2202)	5155 (2340)	5425 (2463)	5675 (2576)	5900 (2679)	6110 (2774)	6310 (2868)	6480 (2945)	6625 (3011)

* Nicholson recommends ISO filled Actuator above 500 psi (34.5 barg) and for superheated steam.



N650 SERIES THERMOSTATIC STEAM TRAPS

**Pressures To 650 PSIG (44.8 barg)
Temperatures to 750°F (400°C)**

Positive Shutoff — Valve and seats are lapped in matched sets, providing tight shutoff for light and no-load conditions which results in improved energy savings.

Freeze Proof — Self draining when installed vertically.

Compact-Easy to Install — Ample extension for pipe wrench provided.

Easily Maintained — Actuator element and valve are attached to cover to facilitate inspection and servicing. Optional stainless blowdown valve permits easy strainer cleaning while in service.

Directional Discharge — Pipe and thread erosion prevented by directing condensate to center of discharge pipe.

Hardened Stainless Steel Valve and Seat — Long life. Lapped as a matched set for water tight seal.

Temperature Sensitive Actuators — One moving part. Stainless Steel, fail open or fail closed, welded actuator for maximum corrosion, thermal and hydraulic shock resistance.

Positive Shutoff and Long Life — Integral Stainless Steel Strainer helps prevent debris from depositing onto valve and seat.

Strainer — Integral Stainless Steel Strainer standard on all models.

Guaranteed — Guaranteed against defects in materials or workmanship for 3 years.

MODELS*

- **N651-FO**—Y pattern body w/strainer and blowdown port tapped & plugged; low capacity, fail open
- **N652**—Reduced capacity
- **N653**—Standard capacity
- **N654**—High capacity

*Add (-FC) for fail closed or (-FO) for fail open to end of model number

APPLICATIONS

- Unit Heaters
- Air Vents
- Steam Tracing
- Drip Legs
- Platen Presses
- Plating Tanks
- Sterilizers
- Tire Presses
- Cooking Equipment
- Laundry Equipment
- Other Process Equipment

OPTIONS *See page 9*

- B - Blowdown Valve
- ISO - ISO Filled Actuator*
- SK - Skirted Seat*
- SLR - SLR Orifice
- SW - Socketweld

*Not available on N651

Canadian Registration # 0E0591.9

OPERATION

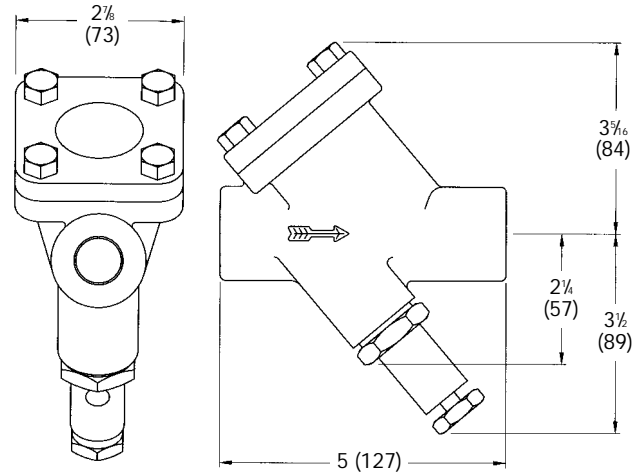
Thermal actuator is filled at its free length with a liquid having a lower boiling point than water. On start-up, valve is normally open. When steam enters trap, thermal actuator fill vaporizes to a pressure higher than line pressure. This forces valve into seat orifice to prevent any further flow. As condensate collects, it takes

heat from thermal actuator, lowering internal pressure. Line pressure will then compress thermal actuator to open valve and discharge condensate. Valve opening automatically adjusts to load conditions from minimum on very light loads to full lift at maximum load. Optional blowdown valve allows fast and easy cleaning of internal strainer without removing trap from operation.

N650 SERIES THERMOSTATIC STEAM TRAPS

SPECIFICATION

Steam trap shall be of balanced pressure design with stainless steel welded actuator capable of discharging condensate within 10°F of saturated temperature. Where greater sensitivity is required or protection from flash steam locking, a SLR orifice will be available to allow condensate and flash steam evacuation at or near saturated temperatures. Where subcooling of condensate is desired alternate thermostatic actuator will be available to allow condensate evacuation at or near 40°F below saturated temperatures. Thermostatic actuator shall employ a conical valve lapped in matched sets with the seat ring assuring tight shut off. A minimum of four orifice sizes shall be available allowing for custom capacity sizing. Trap shall be forged carbon steel Y pattern body with strainer and available blow down valve suitable for pressures to 650 psig and available in 1/2" and 3/4" NPT or socketweld.



**SHOWN WITH OPTIONAL BLOWDOWN VALVE
WEIGHT: 5 LBS. (2.3 KG)**

Connections:
1/2" or 3/4" NPT or socketweld

MAXIMUM OPERATING CONDITIONS

Standard Traps

PMO: Max. Operating Pressure 500 psig (34.5 barg)

TMO: Max. Operating Temperature 600°F (316°C)

ISO Option Traps

PMO: Max. Operating Pressure 650 psig (44.8 barg)

TMO: Max. Operating Temperature 650°F (343°C)

All Traps

PMA: Max. Allowable Pressure 650 psig (44.8 barg)

TMA: Max. Allowable Temperature 750°F (400°C)

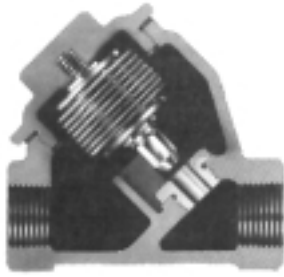
MATERIALS OF CONSTRUCTION

Body & CoverASTM A105 Forged Steel
 ActuatorWelded Stainless Steel
 Cover Gasket304 SS Spiral Wound w/Graphite Fill
 Strainer033 Perf. 304 Stainless Steel
 Blowdown Valve416 Stainless Steel
 Valve & SeatHardened 416 Stainless Steel

Maximum Capacity—lbs/hr 10°F Below Saturation (Kg/hr 5°C Below Saturation)

Trap	Orifice Inch (mm)	Differential PSIG (barg)																
		5 (0.34)	10 (0.7)	20 (1.4)	50 (3.5)	100 (6.9)	125 (8.62)	150 (10.3)	200 (13.8)	250 (17.2)	300 (20.7)	350 (24.1)	400 (27.6)	450 (31.0)	500 (34.5)	550 (37.9)	600 (41.4)	650 (44.8)
N651	5/64 (2)	84 (38)	119 (54)	168 (76)	265 (120)	348 (158)	375 (170)	398 (181)	439 (199)	472 (214)	502 (228)	529 (240)	553 (251)	575 (261)	595 (270)	615 (280)	635 (289)	650 (295)
N652	1/8 (3)	216 (98)	265 (120)	375 (170)	592 (269)	778 (354)	838 (381)	890 (405)	980 (445)	1055 (480)	1121 (510)	1180 (536)	1235 (561)	1284 (584)	1331 (604)	1377 (625)	1425 (646)	1471 (667)
N653	1/4 (6)	550 (249)	825 (374)	1210 (549)	1975 (896)	2825 (1281)	3140 (1424)	3425 (1554)	3650 (1656)	3960 (1796)	4100 (1860)	4230 (1919)	4420 (2005)	4600 (2086)	4760 (2161)	4910 (2232)	5060 (2297)	5190 (2359)
N654	5/16 (8)	860 (390)	1220 (554)	1725 (783)	2725 (1237)	3575 (1623)	3850 (1748)	4090 (1857)	4505 (2045)	4850 (2202)	5155 (2340)	5425 (2463)	5675 (2576)	5900 (2679)	6110 (2774)	6310 (2868)	6480 (2945)	6625 (3011)

Nicholson recommends ISO filled Actuator above 500 psi (34.5 bar) and for superheated steam.
 Nicholson recommends skirted seat above 300 psi (20.7 bar).



Shown in AHV Configuration

APPLICATIONS

- Unit Heaters
- Sterilizers
- Air Vents
- Autoclaves
- Dry Kilns
- Dryers
- Flash Tanks
- Small Heat Exchangers
- Plating Tanks
- Cookers
- Kettles
- Other Process Equipment

OPTIONS *See page 9*

- ST - Sterilizer Trim
- SLR - SLR Orifice
- HC - High capacity orifice

Canadian Registration # 0E0591.9

ACHIEVER "A" SERIES THERMOSTATIC STEAM TRAPS

Pressures To 200 PSIG (13.8 barg)
Temperatures to 400°F (204°C)

Temperature Sensitive Actuator — One moving part stainless steel welded actuator for maximum corrosion, thermal and hydraulic shock resistance.

Improved Energy Savings — Maximum elimination of air and non-condensibles—trap closes at saturated steam temperature.

Compact — Requires minimum space and provides condensate capacities equal to larger mechanical traps.

Freeze Proof — Type A with horizontal inlet and vertical outlet. Type AHV when installed vertically (outlet down) or horizontally on side (cover perpendicular to ground).

Renewable In-line — With factory packaged, precision matched internal parts kits.

Superior Performance — Fast response to changing pressure and condensate loads. Maximum air handling capability.

Guaranteed — Guaranteed against defects in materials or workmanship for 3 years.

MODELS

- A33–1/2" right angle trap
- A43–3/4" right angle trap
- A53–1" right angle trap
- AHV33–1/2" straight thru trap
- AHV43–3/4" straight thru trap
- AHV53–1" straight thru trap

*Add (-HC) to end of model number for high capacity.

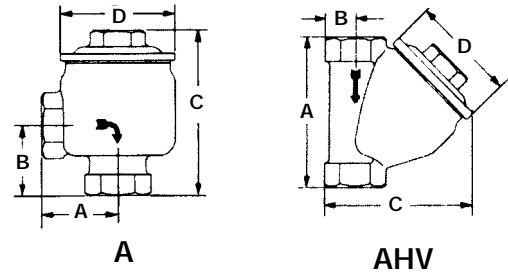
OPERATION

Thermal actuator is filled at its free length with a liquid having a lower boiling point than water. On start-up, valve is normally open. When steam enters trap, thermal actuator fill vaporizes to a pressure higher than line pressure. This forces valve into seat orifice to prevent any

further flow. As condensate collects, it takes heat from thermal actuator, lowering internal pressure. Line pressure will then compress thermal actuator to open valve and discharge condensate. Valve opening automatically adjusts to load conditions from minimum on very light loads to full lift at maximum load.

ACHIEVER "A" SERIES THERMOSTATIC STEAM TRAPS

SPECIFICATION



Connections: 1/2" - 1" NPT

Steam trap shall be of balanced pressure design with stainless steel welded actuator capable of discharging condensate within 10°F of saturated temperature. Where greater sensitivity is required, SLR orifice and Sterilizer trim shall be available to allow condensate evacuation at or near saturated temperatures. Thermostatic actuator shall employ a conical valve lapped in matched sets with the seat ring assuring tight shut off. A minimum of two orifice sizes shall be available allowing for custom capacity sizing. Trap shall be bronze bodied suitable for pressures through 200 psig and available in 1/2" through 1" NPT connections.

MAXIMUM OPERATING CONDITIONS

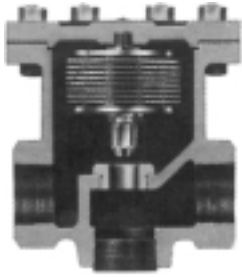
PMO: Max. Operating Pressure 200 psig (13.8 barg)
 TMO: Max. Operating Temperature 400°F (204°C)
 PMA: Max. Allowable Pressure 200 psig (13.8 barg)
 TMA: Max. Allowable Temperature 400°F (204°C)

MATERIALS OF CONSTRUCTION

Body & CoverASTM B283 C37700
 ActuatorWelded Stainless Steel
 Cover GasketCopper Jacketed
 Valve & SeatHardened 416 Stainless Steel

Dimensions						
Trap	Pipe Size inches	Inch (mm)				Weight lb (kg)
		A	B	C	D	
A33	1/2	2 (41)	1 1/2 (106)	4 3/8 (76)	3 (1.5)	3.3 (1.5)
A43	3/4	2 (47)	1 1/2 (113)	4 3/8 (76)	3 (1.5)	3.3 (1.5)
A53	1	2 1/8 (56)	2 3/8 (125)	4 1/2 (76)	3 (2.2)	4.8 (2.1)
AHV33	1/2	4 (19)	3/4 (98)	3 1/2 (76)	3 (1.4)	3.1 (1.4)
AHV43	3/4	4 1/4 (22)	7/8 (108)	4 1/4 (76)	3 (1.6)	3.6 (1.6)
AHV53	1	5 1/8 (25)	1 (116)	4 3/8 (76)	3 (2.4)	5.3 (2.4)

Maximum Capacity—lbs/hr 10°F Below Saturation (Kg/hr 5°C Below Saturation)																
Trap	Orifice inch (mm)	Differential PSIG (barg)														
		1 (0.07)	2 (0.14)	5 (0.34)	10 (0.69)	15 (1.03)	20 (1.4)	40 (2.8)	50 (3.4)	60 (4.1)	80 (5.5)	100 (6.9)	125 (8.6)	150 (10.3)	175 (12.1)	200 (13.8)
1/2" A33, AHV33	5/16	785	1050	1650	2325	2575	2825	3295	3815	4200	4675	5035	5535	5720	6085	6210
3/4" A43, AHV43	(8)	(357)	(477)	(750)	(1057)	(1170)	(1284)	(1498)	(1734)	(1909)	(2125)	(2289)	(2516)	(2600)	(2766)	(2823)
1" A53, AHV53	3/8	985	1390	2180	3070	3255	3735	4225	5040	5480	5990	6645	7315	7560	8045	8200
	(10)	(448)	(632)	(991)	(1395)	(1480)	(1698)	(1920)	(2291)	(2491)	(2723)	(3020)	(3325)	(3436)	(3657)	(3727)
1/2" - 1" All High Capacity "HC"	1/2	1140	1610	2545	3600	4405	5090	7195	8045	8810	9800	10560	11375	12090	12725	13305
	(13)	(518)	(732)	(1157)	(1636)	(2002)	(2314)	(3270)	(3657)	(4005)	(4455)	(4800)	(5170)	(5495)	(5784)	(6048)



BELIEVER "B" SERIES THERMOSTATIC STEAM TRAPS

Pressures To 250 PSIG (17.2 barg)
Temperatures to 450°F (232°C)

Freeze Proof — When installed on side with cover perpendicular to ground.

Renewable In-line — Renew trap in-line with factory packaged precision matched internal parts, replacement kits.

Compact — Requires minimum space while providing condensate capacities equal to larger mechanical traps.

Superior Performance — Maximum air handling capability. Immediate response to changing pressure and condensate loads. No adjustment necessary.

Sensitivity — Increased when installed on side with cover perpendicular to ground.

Temperature Sensitive Actuators — One moving part, stainless steel, fail open or closed, welded actuator provides maximum corrosion, thermal and hydraulic shock resistance and sensitivity.

Guaranteed — Guaranteed against defects in materials or workmanship for 3 years.

MODELS

- B33-1/2" straight thru trap
- B43-3/4" straight thru trap
- B53-1" straight thru trap
- B63-1-1/4" straight thru trap
- B73*-1-1/2" straight thru trap
- B83*-2" straight thru trap

*Add (-HC) to end of model number for high capacity.

APPLICATIONS

- Unit Heaters
- Pipe Coils
- Blast Coils
- Steam Mains
- Dry Kilns
- Jacketed Kettles
- Hot Water Heaters
- Dryers (all types)
- Large Heat Exchangers

OPTIONS *See page 9*

- SLR - SLR Orifice
- HC - High capacity orifice

Canadian Registration # 0E0591.9

OPERATION

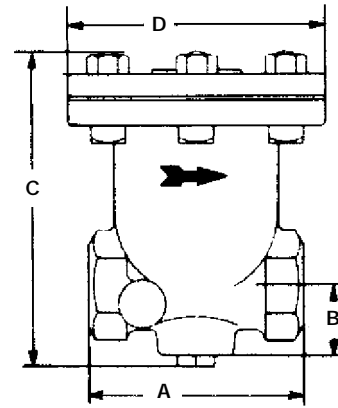
Thermal actuator is filled at its free length with a liquid having a lower boiling point than water. On start-up, valve is normally open. When steam enters trap, thermal actuator fill vaporizes to a pressure higher than line pressure. This forces valve into seat orifice to prevent any further flow.

As condensate collects, it takes heat from thermal actuator, lowering internal pressure. Line pressure will then compress thermal actuator to open valve and discharge condensate. Valve opening automatically adjusts to load conditions from minimum on very light loads to full lift at maximum load.

BELIEVER "B" SERIES THERMOSTATIC STEAM TRAPS

SPECIFICATION

Steam trap shall be of balanced pressure design with stainless steel welded actuator capable of discharging condensate within 10°F of saturated temperature. Where greater sensitivity is required or protection from flash steam locking, a SLR orifice will be available to allow condensate and flash steam evacuation at or near saturated temperatures. Thermostatic actuator shall employ a conical valve lapped in matched sets with the seat ring assuring tight shut off. Trap shall be cast iron or cast steel bodied suitable for pressures to 250 psig and available in 1/2" through 2" NPT.



TYPE B

Connections: 1/2"-2" NPT

MAXIMUM OPERATING CONDITIONS

- PMO: Max. Operating Pressure 250 psig (17.2 barg)
- TMO: Max. Operating Temperature 450°F (232°C)
- PMA: Max. Allowable Pressure 250 psig (17.2 barg)
- TMA: Max. Allowable Temperature 450°F (232°C)

MATERIALS OF CONSTRUCTION

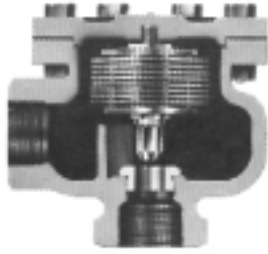
- Body & Cover:Cast Iron ASTM A278 Class 30
- Actuator:Welded Stainless Steel
- Cover Gasket:Graphite
- Valve & Seat:Hardened 416 Stainless Steel

Dimensions						
Trap	Pipe Size inches	Inches (mm)				Weight lb (kg)
		A	B	C	D	
B33	1/2	3 7/8 (98)	1 1/8 (29)	5 7/8 (149)	4 1/2 (114)	7 (3.2)
B43	3/4	4 1/4 (108)	1 3/8 (35)	6 3/4 (171)	5 1/8 (129)	10.3 (4.7)
B53	1	5 1/2 (140)	1 7/8 (48)	7 1/16 (195)	5 1/16 (148)	15.6 (7.1)
B63	1 1/4	5 1/2 (140)	1 7/8 (48)	7 1/16 (195)	5 1/16 (148)	15.3 (7.0)
B73	1 1/2	7 1/4 (184)	1 3/4 (44)	9 3/8 (230)	7 3/4 (197)	33.6 (15.3)
B83	2	7 1/4 (184)	1 3/4 (44)	9 3/8 (230)	7 3/4 (197)	32.4 (14.7)

Maximum Capacity—lbs/hr 10°F Below Saturation (Kg/hr 5°C Below Saturation)															
Trap	Pipe Size/Orifice		Differential PSIG (barg)												
	Inch	Inch (mm)	1 (.07)	2 (.14)	5 (0.34)	10 (0.7)	20 (1.4)	50 (3.5)	100 (6.9)	125 (8.6)	150 (10.3)	175 (12.1)	200 (13.8)	225 (15.5)	250 (17.2)
B33	1/2	3/8 (10)	985 (448)	1390 (632)	2180 (991)	3070 (1395)	3735 (1698)	5040 (2291)	6645 (3070)	7315 (3325)	7560 (3436)	8045 (3657)	8200 (3727)	8615 (3916)	8915 (4052)
B43	3/4	7/16 (11)	1460 (664)	2055 (934)	3240 (1473)	4560 (2073)	5550 (2523)	7480 (3400)	9865 (4484)	10850 (4932)	11225 (5102)	11935 (5425)	12165 (5530)	12770 (5805)	13225 (6011)
B53, B63	1, 1 1/4	1/2 (12)	1825 (830)	2575 (1170)	4050 (1841)	5700 (2591)	6925 (3148)	9350 (4275)	12340 (5609)	13565 (6166)	14030 (6377)	14920 (6782)	15230 (6923)	15960 (7255)	16540 (7518)
B73, B83	1 1/2, 2	3/4 (19)	2760 (1255)	3890 (1768)	6120 (2782)	8610 (3914)	10470 (4759)	14125 (6420)	18660 (8482)	20520 (9327)	21235 (9652)	22580 (10264)	23015 (10461)	24190 (10995)	25055 (11389)
B73HC, B83HC	1 1/2, 2	1-1/4 (32)	3555 (1616)	5030 (2286)	7950 (3614)	11240 (5109)	15900 (7227)	25140 (11427)	33000 (15000)	—	—	—	—	—	—

CONQUEROR "C" SERIES THERMOSTATIC STEAM TRAPS

Pressures To 300 PSIG (21 barg)
Temperatures to 500°F (260°C)



APPLICATIONS

- Unit Heaters
- Pipe Coils
- Blast Coils
- Steam Mains
- Dry Kilns
- Jacketed Kettles
- Hot Water Heaters
- Dryers (all types)
- Large Heat Exchangers

OPTIONS *See page 9*

- SLR - SLR Orifice
- SW - Socketweld
- HC - High capacity orifice

Canadian Registration # 0E0591.9

Freeze Proof — When installed with horizontal inlet and vertical outlet.

Renewable In-line — Renew trap in-line with factory packaged precision matched internal parts, replacement kits.

Compact — Requires minimum space while providing condensate capacities equal to larger mechanical traps.

Superior Performance — Maximum air handling capability. Immediate response to changing pressure and condensate loads. No adjustment necessary.

Sensitivity — Increased when installed on side with cover perpendicular to ground.

Temperature Sensitive Actuators — One moving part, stainless steel, fail open or closed, welded actuator provides maximum sensitivity, corrosion and thermal & hydraulic shock resistance.

Guaranteed — Guaranteed against defects in materials or workmanship for 3 years.

MODELS

- C33-1/2" angle pattern trap
- C43-3/4" angle pattern trap
- C53-1" angle pattern trap
- C63-1-1/4" angle pattern trap
- C73¹-1-1/2" angle pattern trap
- C83¹-2" angle pattern trap

CS models are the same as above in cast steel.

*Add (-HC) to end of model number for high capacity.

OPERATION

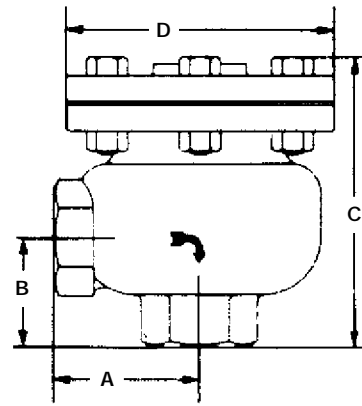
Thermal actuator is filled at its free length with a liquid having a lower boiling point than water. On start-up, valve is normally open. When steam enters trap, thermal actuator fill vaporizes to a pressure higher than line pressure. This forces valve into seat orifice to prevent any further flow.

As condensate collects, it takes heat from thermal actuator, lowering internal pressure. Line pressure will then compress thermal actuator to open valve and discharge condensate. Valve opening automatically adjusts to load conditions from minimum on very light loads to full lift at maximum load.

CONQUEROR "C" SERIES THERMOSTATIC STEAM TRAPS

SPECIFICATION

Steam trap shall be of balanced pressure design with stainless steel, welded actuator capable of discharging condensate within 10°F of saturated temperature. Where greater sensitivity is required or protection from flash steam locking, a SLR orifice shall be available to allow condensate and flash steam evacuation at or near saturated temperatures. Thermostatic actuator shall employ a conical valve lapped in matched sets with the seat ring assuring tight shut off. Trap shall be cast iron or cast steel bodied suitable for pressures to 250 psig and available in 1/2" through 2" NPT.



TYPE C & CS

Connections:
1/2"-2" NPT or Socketweld

MAXIMUM OPERATING CONDITIONS

Type C

PMO: Max. Operating Pressure 250 psig (17.2 barg)
 TMO: Max. Operating Temperature 450°F (232°C)
 PMA: Max. Allowable Pressure 250 psig (17.2 barg)
 TMA: Max. Allowable Temperature 450°F (232°C)

Type CS

PMO: Max. Operating Pressure 300 psig (20.7 barg)
 TMO: Max. Operating Temperature 500°F (260°C)
 PMA: Max. Allowable Pressure 300 psig (20.7 barg)
 TMA: Max. Allowable Temperature 500°F (260°C)

MATERIALS OF CONSTRUCTION

Body & Cover: Type C ...Cast Iron ASTM A278 Class 30
 Type CS Cast Steel ASTM A216 Grade

WCB

Actuator:Welded Stainless Steel

Cover Gasket:Graphite

Valve & Seat:Hardened 416 Stainless Steel

Dimensions							
Trap	Pipe Size inches	Inches (mm)				Weight lb (kg)	
		A	B	C	D	Type C	Type CS
C33	1/2	2 5/8 (67)	1 13/16 (46)	4 15/16 (125)	4 1/2 (114)	8.3 (3.8)	8.6 (3.9)
C43	3/4	2 3/4 (70)	2 1/2 (52)	5 1/8 (138)	5 1/8 (129)	11.1 (5.0)	13 (5.9)
C53	1	3 1/2 (89)	2 3/8 (71)	6 1/8 (154)	5 13/16 (148)	17.8 (8.1)	19.6 (8.9)
C63	1 1/4	3 1/2 (89)	2 3/8 (71)	6 1/8 (154)	5 13/16 (148)	17.5 (8.0)	19.3 (8.8)
C73	1 1/2	5 (127)	3 3/4 (95)	8 3/8 (213)	7 3/4 (197)	39.1 (17.8)	39.2 (17.8)
C83	2	5 (127)	3 3/4 (95)	8 3/8 (213)	7 3/4 (197)	39 (17.7)	31.1 (14.1)

Maximum Capacity—lbs/hr 10°F Below Saturation (Kg/hr 5°C Below Saturation)

Trap	Pipe Size Inch	Orifice Inches (mm)	Differential PSIG (barg)													
			1 (.07)	2 (.14)	5 (0.34)	10 (0.7)	20 (1.4)	50 (3.5)	100 (6.9)	125 (8.6)	150 (10.3)	175 (12.1)	200 (13.8)	225 (15.5)	250 (17.2)	300* (20.7)
C33, CS33	1/2	3/8 (10)	985 (448)	1390 (632)	2180 (991)	3070 (1395)	3735 (1698)	5040 (2291)	6645 (3070)	7315 (3325)	7560 (3436)	8045 (3657)	8200 (3727)	8615 (3916)	8915 (4052)	9220 (4191)
C43, CS43	3/4	7/16 (11)	1460 (664)	2055 (934)	3240 (1473)	4560 (2073)	5550 (2523)	7480 (3400)	9865 (4484)	10850 (4932)	11225 (5102)	11935 (5425)	12165 (5530)	12770 (5805)	13225 (6011)	13685 (6220)
C53, CS53 C63, CS63	1, 1 1/4	1/2 (12)	1825 (830)	2575 (1170)	4050 (1841)	5700 (2591)	6925 (3148)	9350 (4750)	12340 (5609)	13565 (6166)	14030 (6377)	14920 (6782)	15230 (6923)	15960 (7255)	16540 (7518)	17120 (7782)
C73, CS73 C83, CS83	1 1/2, 2	3/4 (19)	2760 (1255)	3890 (1768)	6120 (2782)	8610 (3914)	10470 (4759)	14125 (6420)	18660 (8482)	20520 (9327)	21235 (9652)	22580 (10264)	23015 (10461)	24190 (10995)	25055 (11389)	25915 (11780)
C73HC, C83HC	1 1/2, 2	1-1/4 (32)	3555 (1616)	5030 (2286)	7950 (3614)	11240 (5109)	15900 (7227)	25140 (11427)	33000 (15000)	—	—	—	—	—	—	—

*CS Series Only.

C available with screwed connections only. CS available with screwed or socketweld connections.

MECHANICAL STEAM TRAPS

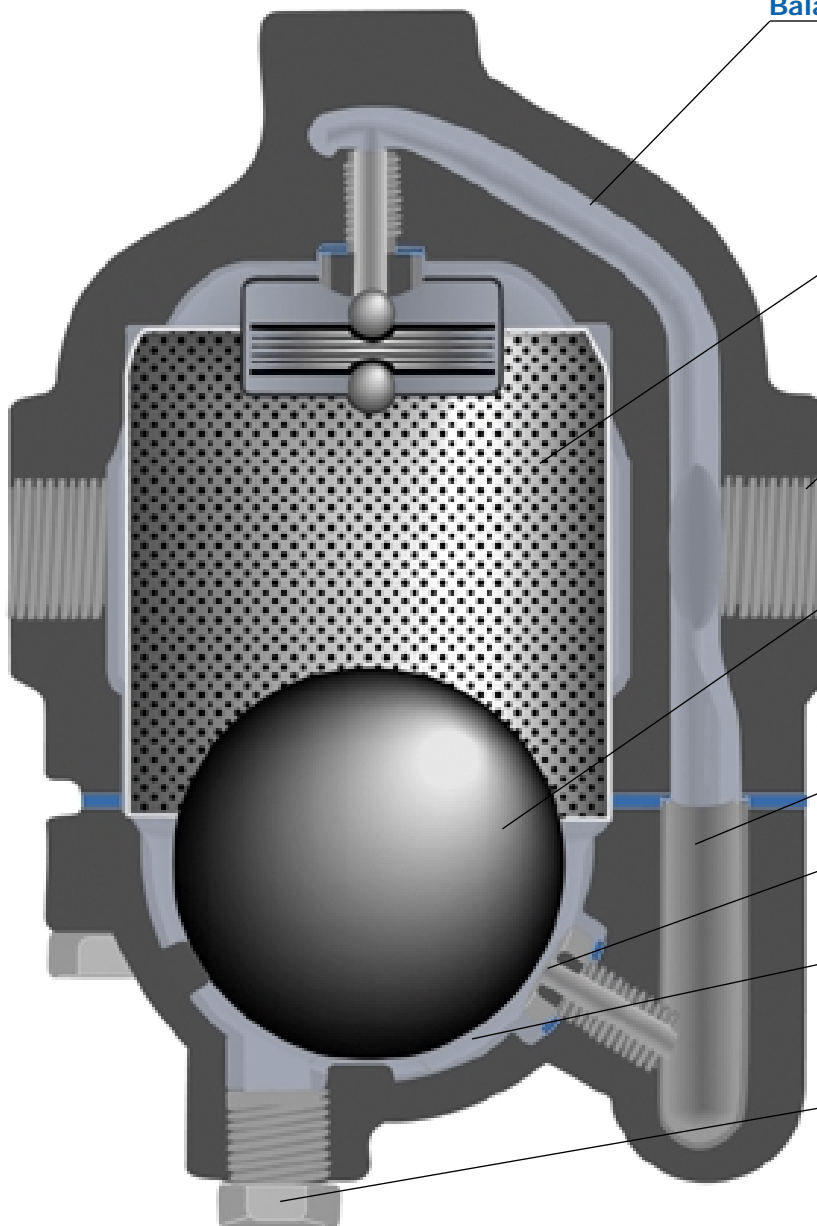
NICHOLSON's Mechanical Trap line continues their tradition of offering high value with traditional designs while simultaneously pushing the performance envelope with leading edge technology. As America's only domestic manufacturer of free float technology, **NICHOLSON** continues to provide performance and value.

NOVA NFT250 Series Variable Orifice Steam Traps

**Pressures To 250 PSIG
Temperatures to 450°F**

Applications

- Steam Lines
- Process Equipment
- Steam Cookers
- Steam Heated Vats
- Pressing Machinery
- Unit Heaters
- Oil Preheaters
- Converters
- Coils
- Rotating Drum



Proven Caged Stainless Steel Balanced Pressure Thermostatic Air Vent

automatically discharges air and non-condensables

Stainless Steel Strainer

with large screen area prevents dirt problems

Connections

Sizes 1/2" - 2" screwed
NPT (BSPT optional)
Sizes 1 1/2" & 2" flanged
ANSI 250

Weighted Stainless Steel Free Float Ball

multi-contact surface area modulates orifice discharge to provide smooth, continuous discharge and immediate response to load variations

Stainless Steel Sleeve

eliminates body erosion

Stainless Steel Seat

full bore prevents choking and permits ample capacities

Liquid Level

maintains seal over orifice to prevent live steam loss

Bottom & Side Blowdown Connections

for preventative maintenance

Guarantee

Traps are guaranteed against defects in materials or workmanship for 3 years.

Applications

- Steam Lines
- Process Equipment
- Steam Cookers
- Steam Heated Vats
- Pressing Machinery
- Unit Heaters
- Oil Preheaters
- Converters
- Coils
- Rotating Drum

DURA-FLO Inverted Bucket Steam Trap

*Pressures To 250 PSIG
Temperatures to 450°F*

Easy to Maintain

Working parts lift out with top for quick inspection and maintenance.

Resists Corrosion

Stainless steel bucket provides maximum service life with minimum deterioration.

Minimizes Effects of Water Hammer

Open bucket design avoids collapse typical of sealed floats.

Suitable for Wide Variety of Loads/Applications

Horizontal and vertical models in thirteen body sizes are one of the most comprehensive inverted bucket trap lines available.

Withstands Severe Conditions

Heavy wall cast iron cover and body provide many years of trouble free service.

Smooth Action and Tight Shutoff

Stainless steel linkage, valve and seats are precision manufactured to insure optimal performance.

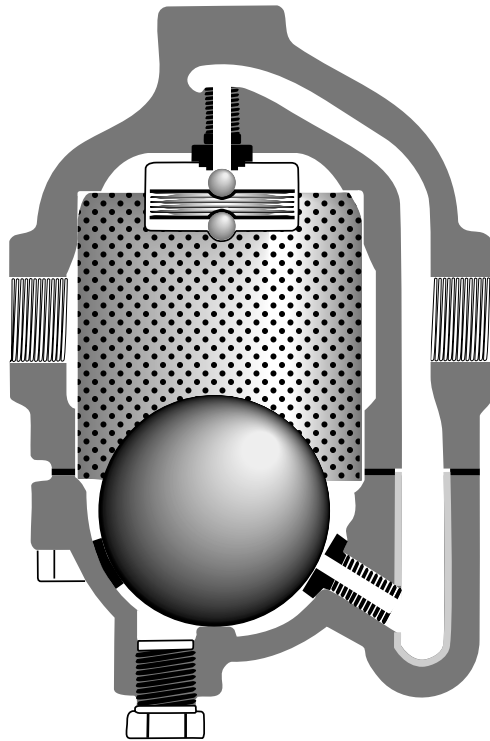
Ideal for "Dirty" Systems

Valve and seat located at top of trap and stainless steel strainers available on most horizontal models ensure long service.

Maximum Compatibility with Existing Installations

Pressure change assemblies are interchangeable with Armstrong which guarantees maximum flexibility when stocking repair parts.





NOVA NFT250 SERIES

VARIABLE ORIFICE STEAM TRAPS

Pressures To 250 PSIG (17.2 barg)
Temperatures to 450°F (232°C)

All Stainless Steel Internal Components — Hardened valves and seats. Extra long life and dependable service. Resists water hammer. Protects against erosion and corrosion.

Erosion Proof — Discharge passage is protected with a stainless steel liner.

Integral Strainer — Stainless Steel screen prevents dirt problems. Blow-down connection provided.

Thermostatic Air Vent — Full balanced pressure element for immediate and complete air venting.

Variable Orifice — Condensate is discharged continuously through the seat ring which is modulated by the float. This provides a smooth, even flow without high velocity or steam entrainment.

SLR Orifice — Optional continuous bleed prevents flash steam lockup when it is impossible to install trap at low point in system.

Guarantee — Traps are guaranteed against defects in materials or workmanship for 3 years.

APPLICATIONS

- Steam Lines
- Process Equipment
- Steam Cookers
- Steam Heated Vats
- Pressing Machinery
- Unit Heaters
- Oil Preheaters
- Converters
- Coils
- Rotating Drum

OPTIONS *See Page 9*

- SLR - SLR Orifice
- B - Blowdown Valve (contact factory)
- Orifice Continuous Bleed Air Vent
- 250# - 250# Flanged Connection* (Flat Faced)

*Available on NFT 253 only.

Canadian Registration # OE0591.9C

MODELS

- **NFT250**—Low capacity
- **NFT251**—Medium capacity
- **NFT252**—High capacity
- **NFT253**—Super high capacity

Installation Tip: Always install STV Test & Block Valve as part of trap station
SEE PAGE 118

Installation Tip: Add Uniflex Pipe Coupling for ease of maintenance
SEE PAGE 102

OPERATION

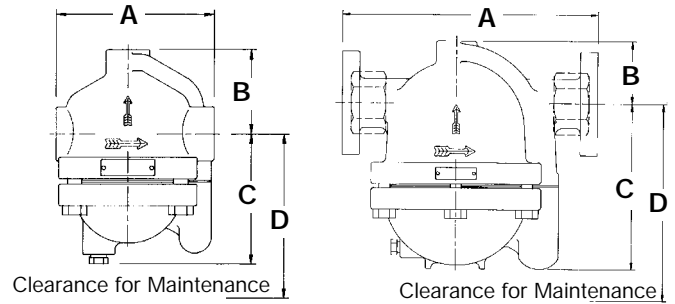
On startup, the thermostatic air vent (caged stainless welded bellows) is open, allowing air to flow freely through the vent valve orifice. When condensate flows into the trap, the float rises, allowing condensate to be discharged. Once air and non-condensibles have been evacuated, hot condensate will cause the thermostatic vent to close. Condensate will continue to be discharged as long as condensation occurs.

During normal operation, an increase in the load causes the liquid level in the trap to rise. The float then rises and rolls off the seat ring, allowing more condensate to flow out. The float sinks as the condensate load decreases, moving nearer to the seat ring, decreasing the effective size of the orifice and allowing less condensate to discharge. This provides smooth, continuous operation that reacts instantly to load variation while maintaining a water seal over the seat ring to prevent live steam loss.

NOVA NFT250 SERIES VARIABLE ORIFICE STEAM TRAPS

SPECIFICATION

Steam trap shall be of float and thermostatic design. Float shall be free of levers, linkages, or other mechanical connections. Float shall be weighted to maintain orientation and shall act as the valve being free to modulate condensate through the seat ring. Air vent shall be of balanced pressure design with stainless steel welded encapsulated bellows capable of discharging air and noncondensable gases continuously within 15°F of saturated temperature. Trap shall contain integral strainer and stainless steel exhaust port sleeve. Trap shall be cast iron bodied suitable for pressures to 250 psi and available in 1/2" through 2" NPT or flanged.



Connections:
1/2"-2" NPT or 1 1/2"-2" Flanged

MATERIALS OF CONSTRUCTION

Body and CoverCast Iron ASTM A126B
All Internal PartsStainless Steel
Air VentBalanced Pressure, Stainless Steel
Cover GasketGraphite Fiber

MAXIMUM OPERATING CONDITIONS

PMO: Max. Operating Pressure

ORIFICE	PMO	
20	20 psig	(1.4 barg)
50	50 psig	(3.5 barg)
100	100 psig	(6.9 barg)
150	150 psig	(10.3 barg)
250	250 psig	(17.2 barg)

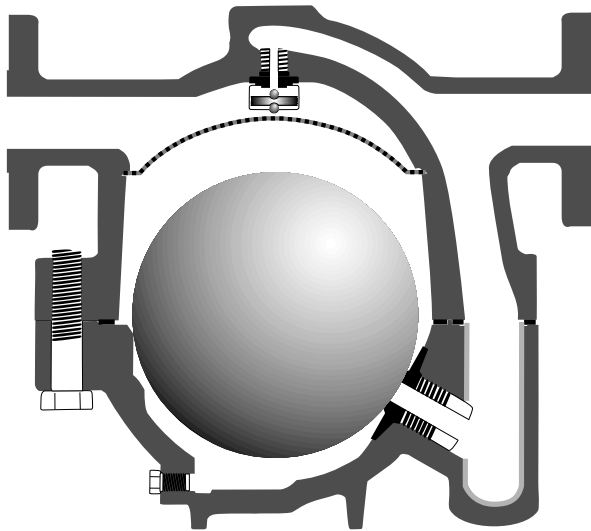
PMA: Max. Allowable Pressure:
250 psig (17.2 barg)

TMA: Max. Allowable Temperature:
450°F (232°C)

Dimensions								
Model	Size	Connection	Inches (mm)				Weight Lbs. (kg)	
			A	B	C	D		
NFT250	1/2 & 3/4	NPT	4 1/4 (108)	2 3/4 (69)	3 5/8 (92)	5 1/2 (140)	6 (2.7)	
NFT251	3/4 & 1	NPT	5 1/2 (140)	2 15/16 (74)	4 9/16 (116)	6 3/4 (171)	13 (5.9)	
NFT252 [†]	1 & 1 1/2	NPT	11 (279)	2 15/16 (74)	7 3/4 (197)	10 (254)	41 (18.6)	
NFT253	1 1/2 & 2	NPT	13 3/4 (349)	2 15/16 (74)	11 5/8 (295)	15 3/8 (391)	120 (54.5)	
		250# Flg.	15 3/4 (400)	2 15/16 (74)	11 5/8 (295)	15 3/8 (391)	130 (59.1)	

Maximum Capacity—lbs/hr (10°F Below Saturation)																	
Trap	Orifice Size	Differential – PSIG (barg)															
		Max. ΔP	1 (.07)	5 (.34)	10 (.69)	15 (1.03)	20 (1.38)	30 (2.07)	50 (3.45)	75 (5.17)	100 (6.90)	125 (8.62)	150 (10.3)	175 (12.1)	200 (13.8)	225 (15.5)	250 (17.2)
NFT250	0.193	20	264	810	1050	1100	1200										
	0.141	50	190	430	610	750	870	1070	1400								
	0.102	100	88	160	250	300	350	425	530	670	710						
	0.091	150	70	140	219	260	295	345	410	470	520	555	590				
	0.067	250	37	90	140	170	200	240	300	340	390	405	415	440	460	480	500
NFT251	0.277	20	590	1600	2100	2400	2450										
	0.209	50	340	760	1080	1330	1540	1900	2460								
	0.157	100	200	500	650	740	830	950	1100	1300	1400						
	0.141	150	170	385	527	627	705	825	990	1130	1240	1330	1415				
NFT252	0.593	20	2720	6280	8600	10500	11700										
	0.469	50	1750	3920	5560	6830	7900	9700	12600								
	0.339	100	930	2170	3130	3840	4460	4990	6020	7030	7960						
	0.316	150	850	1935	2650	3150	3540	4140	4970	5685	6230	6690	7100				
NFT253	0.261	250	670	1400	1900	2400	2540	3000	3500	4100	4200	4900	5100	5300	5500	5750	6000
	1.102	20	8000	15000	18000	19900	22800										
	0.875	50	5460	12600	15600	16900	18400	21000	25400								
	0.593	100	2800	6350	8700	10900	12800	13700	16600	18700	21000						
NFT253	0.578	150	2690	6120	8385	9970	11200	13100	15700	17980	19700	21150	22450				
	0.484	250	1600	3770	5300	6470	7560	8610	10400	12100	13600	14600	15500	16300	17100	17800	18400

For Kg/Hr Multiply by .454



NOVA NFT650 SERIES VARIABLE ORIFICE STEAM TRAPS

Pressures To 650 PSIG (44.8 barg)
Temperatures to 750°F (400°C)

All Stainless Steel Internal Components — Hardened valves and seats. Extra long life and dependable service. Resists water hammer. Protects against erosion and corrosion.

Erosion Proof — Discharge passage is protected with a stainless steel liner.

Integral Strainer — Stainless Steel screen prevents dirt problems. Blow-down connection provided.

Thermostatic Air Vent — Provided with balanced pressure element for immediate and complete air venting.

Variable Orifice — Condensate is discharged continuously through the seat ring which is modulated by the float. This provides a smooth, even flow without high velocity or steam entrainment.

SLR Orifice — Optional continuous bleed prevents flash steam lockup when it is impossible to install trap at low point in system.

Guarantee — Traps are guaranteed against defects in materials or workmanship for 3 years.

APPLICATIONS

- Steam Lines
- Process Equipment
- Steam Cookers
- Steam Heated Vats
- Pressing Machinery
- Unit Heaters
- Oil Preheaters
- Converters
- Coils
- Rotating Drum

OPTIONS *See page 9*

- SLR - SLR Orifice
- B - Blowdown Valve (contact factory)
- Continuous Bleed Air Vent
- 300# or 600# Flanged Connection* (Raised Face)

*Available on NFT652 and NFT653 only.

Canadian Registration # OE0591.9C

MODELS

- **NFT651**—Low capacity
- **NFT652**—Medium capacity
- **NFT653**—High capacity

Installation Tip: Always install STV Test & Block Valve as part of trap station
SEE PAGE 118

Installation Tip: Add Uniflex Pipe Coupling for ease of maintenance
SEE PAGE 102

OPERATION

On startup, the thermostatic air vent (caged stainless welded bellows) is open, allowing air to flow freely through the vent valve orifice. When condensate flows into the trap, the float rises, allowing condensate to be discharged. Once air and non-condensibles have been evacuated, hot condensate will cause the thermostatic vent to close. Condensate will continue to be discharged as long as condensation occurs.

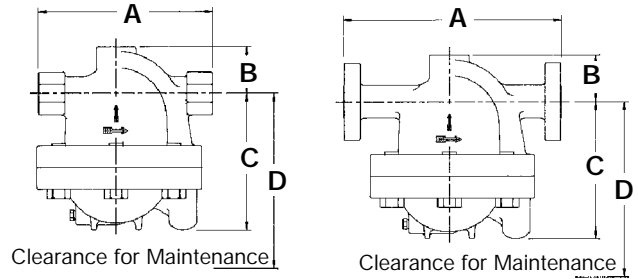
During normal operation, an increase in the load causes the liquid level in the trap to rise. The float then rises and rolls off the seat ring, allowing more condensate to flow out. The float sinks as the condensate load decreases, moving nearer to the seat ring, decreasing the effective size of the orifice and allowing less condensate to discharge. This provides smooth, continuous operation that reacts instantly to load variation while maintaining a water seal over the seat ring to prevent live steam loss.

NOVA NFT650 SERIES

VARIABLE ORIFICE STEAM TRAPS

SPECIFICATION

Steam trap shall be of float and thermostatic design. Float shall be free of levers, linkages, or other mechanical connections. Float shall be weighted to maintain orientation and shall act as the valve being free to modulate condensate through the seat ring. Air vent shall be of balanced pressure design with stainless steel welded encapsulated bellows capable of discharging air and noncondensable gases continuously within 15°F of saturated temperature. Trap shall contain integral strainer and stainless steel exhaust port sleeve. Trap shall be cast steel bodied suitable for pressures to 650 psi and available in 1/2" through 2" NPT, Socket Weld, or flanged.



Connections:
1/2-2" NPT or 1 1/2-2" Flanged

MATERIALS OF CONSTRUCTION

Body & CoverASTM A216 Grade WCB
 Cover GasketSpiral Wound 304 Stainless
 w/graphite filler
 All InternalStainless Steel
 Air Vent . . .Balanced Pressure, Stainless Steel

MAXIMUM OPERATING CONDITIONS

PMO: Max. Operating Pressure

ORIFICE	PMO
20	20 psig (1.4 barg)
50	50 psig (3.5 barg)
100	100 psig (6.9 barg)
175	175 psig (12.1 barg)
300	300 psig (20.7 barg)
400	400 psig (27.6 barg)
600	600 psig (41.4 barg)

PMA: Max. Allowable Pressure:
650 psig (44.8 barg)

TMA: Max. Allowable Temperature:
750°F (400°C)

Dimensions		Inches (mm)						Weight Lbs. (kg)
Model	Size	A			B	C	D	
		NPT	300#	600#				
NFT651	1/2, 3/4 & 1	5 1/2 (140)	—	—	3 1/16 (78)	5 7/16 (138)	7 1/4 (184)	21 (9.5)
NFT652	1	11 (279)	13 3/4 (349)	13 3/4 (349)	2 15/16 (75)	8 3/4 (222)	11 3/8 (290)	84 (38.2)
	1 1/2 & 2	11 (279)	13 3/4 (349)	14 9/16 (370)	2 15/16 (75)	8 3/4 (222)	11 3/8 (290)	87 (39.5)
NFT653	1 1/2	13 3/4 (349)	16 3/4 (426)	17 3/8 (411)	3 5/16 (84)	11 7/8 (302)	16 (406)	192 (87.3)
	2	13 3/4 (349)	16 11/16 (424)	17 7/16 (443)	3 5/16 (84)	11 7/8 (302)	16 (406)	195 (88.6)

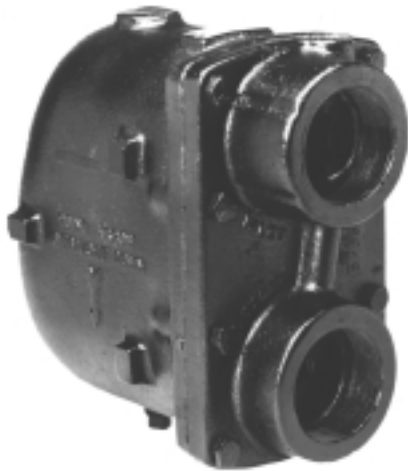
Maximum Capacity - lbs/hr (10 degrees Below Saturation)

Trap	Orifice Size	MAX ΔP	Differential - PSIG (barg)															
			1 (.07)	5 (.34)	10 (.69)	20 (1.38)	50 (3.45)	75 (5.17)	100 (6.90)	150 (10.3)	175 (12.1)	200 (13.8)	250 (17.2)	300 (20.7)	400 (27.6)	500 (34.5)	600 (41.4)	
NFT651	0.277	20	590	1600	2100	2450												
	0.209	50	340	760	1080	1540	2460											
	0.157	100	200	500	650	830	1100	1300	1400									
	0.141	150	170	385	527	705	990	1130	1240	1415								
	0.130	175	180	350	500	675	900	1000	1100	1300	1400							
	0.120	250	110	255	360	500	700	800	900	1000	1050	1100	1200					
	0.106	300	105	240	330	435	575	675	750	875	955	1020	1140	1255				
	0.096	400	100	220	300	390	510	585	640	740	795	835	920	1000	1140			
	0.081	600	75	145	180	225	300	340	375	435	465	490	540	585	665	740	800	
NFT652	0.593	20	2720	6280	8600	11700												
	0.469	50	1750	3920	5560	7900	12600											
	0.339	100	930	2170	3130	4460	6020	7960										
	0.316	150	850	1935	2650	3540	4970	5685	6230	7100								
	0.297	175	800	1700	2300	3200	4400	5000	5500	6400	6900							
	0.261	250	670	1400	1900	2540	3500	4100	4200	5100	5300	5500	6000					
	0.238	300	645	1240	1565	1955	2575	2940	3220	3740	4000	4220	4640	5060				
	0.213	400	515	995	1250	1565	2060	2355	2575	2995	3200	3380	3720	4050	4600			
	0.180	600	370	710	895	1120	1470	1680	1840	2140	2290	2410	2655	2890	3300	3655	3955	
NFT653	1.102	20	8000	15000	18000	22800												
	0.875	50	5460	12600	15600	18400	25400											
	0.593	100	2800	6350	8700	12800	16600	18700	21000									
	0.578	150	2690	6120	8385	11200	15700	17980	19700	22450								
	0.547	175	2400	5500	7600	10300	14400	16500	18200	20750	21900							
	0.484	250	1600	3770	5300	7560	10400	12100	13600	15500	16300	17100	18400					
	0.453	300	1500	3500	5200	7075	9325	10655	11655	13545	14485	15275	16815	18315				
	0.404	400	1400	2800	4200	5630	7420	8480	9270	10770	11520	12150	13380	14570	16555			
	0.339	600	800	1800	2800	3900	5220	5970	6530	7585	8110	8555	9420	10260	11655	12960	13990	

For Kg/Hr Multiply by .454

FTN SERIES FLOAT & THERMOSTATIC STEAM TRAPS

Pressures To 125 PSIG (8.6 barg)
Temperatures to 450°F (232°C)



Universal Four-port Design — Four possible hookup combinations of the “H” pattern body and piping dimensions similar to other major manufacturers allow maximum installation flexibility for easy replacement of other traps. Inlet and outlet taps on larger sized traps located in the cover to permit larger capacities.

All Stainless Steel Internal Components — Hardened valves and seats. Extra long life and dependable service. Resists water hammer. Protects against erosion and corrosion.

Balanced Pressure Thermostatic Element — allows venting of non-condensibles while operating at design pressure.

Rugged Welded Stainless Steel Element — Increases service life.

Wide Selection of Differential Pressures — Sizes 3/4" to 2" available with 15, 30, 75 and 125 psig differential pressures.

Air Line Water Removal — Special configuration FTNA optimized for compressed air service.

Repairable In-line — Can be serviced without disturbing system piping.

MODELS

- **FTN-15**—Steam pressures to 15 PSIG
- **FTN-30**—Steam pressures to 30 PSIG
- **FTN-75**—Steam pressures to 75 PSIG
- **FTN-125**—Steam pressures to 125 PSIG
- **FTNA-75**—Air pressures to 75 PSIG
- **FTNA-125**—Air pressures to 125 PSIG

APPLICATIONS

- Unit Heaters & other Space Heating Equipment
- Heat Exchangers/Reboilers
- Steam Heating Coils
- Steam Main Drips
- Air Compressor Receivers
- Air Line Drips
- Air Powered Process Equipment

OPTIONS *See page 9*

- Repair Kits

Installation Tip: Always install STV Test & Block Valve as part of trap station
SEE PAGE 118

Installation Tip: Add Uniflex Pipe Coupling for ease of maintenance
SEE PAGE 102

OPERATION

Air entering trap is immediately discharged through the high capacity integral air vent. The thermostatic vent will close just prior to saturation temperature. The balanced design will allow venting of non-condensibles that collect in the float chamber when operating at design pressure. When steam enters the trap, the thermostatic air vent

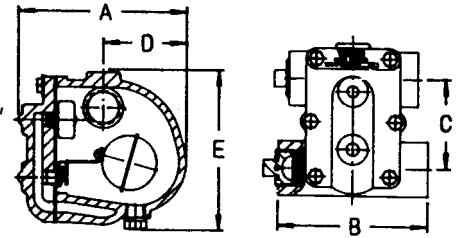
closes to prevent steam loss. When steam gives up its latent heat, it becomes condensate. This “condensate” enters the trap and causes the stainless steel ball float to rise. Raising of the float opens the discharge valve, allowing condensate to be continuously discharged as it enters the trap. The condensate level in the trap body is maintained above the discharge seat, providing a positive seal against the loss of steam.

FTN SERIES FLOAT & THERMOSTATIC STEAM TRAPS

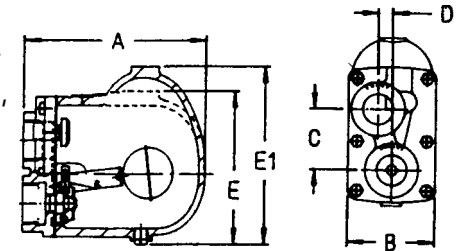
SPECIFICATION

Steam trap shall be of float and thermostatic design. Float shall actuate the valve via a hinged lever and linkage. Air vent shall be of balanced pressure design with stainless steel welded encapsulated bellows capable of discharging air and noncondensable gases continuously within 15°F of saturated temperature. Traps through 1-1/4" shall employ "H" pattern connections to accommodate multiple piping configurations. Trap shall be cast iron bodied suitable for pressures to 125 psi and available in 3/4" through 2" NPT.

3/4", 1" - All
1 1/4" - FTN-15,
FTN-30



1 1/2", 2" - All *
1 1/4" - FTN-75,
FTNA-75*,
FTNA-125*



*1/8" NPT tap at top boss for balancing line.

MAXIMUM OPERATING CONDITIONS

PMO: Max. Operating Pressure

ORIFICE	PMO
15	15 psig (1.03 barg)
30	30 psig (2.07 barg)
75	75 psig (5.17 barg)
125	125 psig (8.62 barg)

PMA: Max. Allowable Pressure

250 psig (17.2 barg)

TMA: Max. Allowable Temperature

450°F (232°C)

Connections: 3/4"-2" NPT

MATERIALS OF CONSTRUCTION

Body & Cover . . . Cast Iron ASTM A126B

All Internal Stainless Steel

Air Vent (FTN only) Balanced Pressure,
Welded Stainless Steel

Dimensions		Inches (mm)						Weight lbs (kg)
Model No.	Size	A	B	C	D	E	E1	
FTN-15, FTN-30	3/4"	6.25 (159)	5.50 (140)	3.31 (84)	3.00 (76)	5.75 (146)	—	9 (4.1)
	1"	6.25 (159)	5.50 (140)	3.31 (84)	3.00 (76)	5.75 (146)	—	9 (4.1)
	1 1/4"	6.25 (159)	5.75 (146)	3.00 (76)	3.81 (97)	5.75 (146)	—	9 1/2 (4.3)
	1 1/2"	8.50 (216)	4.25 (108)	3.00 (76)	0.70 (18)	—	8.40 (213)	18 (8.2)
	2"	9.81 (249)	4.94 (123)	4.94 (123)	0.12 (3)	9.12 (232)	—	26 (11.8)
FTN-75, FTN-125 FTNA-75, FTNA-125	3/4"	6.25 (159)	5.50 (140)	3.31 (84)	3.00 (76)	5.75 (146)	—	9 (4.1)
	1"	6.25 (159)	5.50 (140)	3.31 (84)	3.00 (76)	5.75 (146)	—	9 (4.1)
	1 1/4"	8.50 (216)	4.25 (108)	3.00 (76)	0.70 (18)	—	8.40 (213)	18 (8.2)
	1 1/2"	8.50 (216)	4.25 (108)	3.00 (76)	0.70 (18)	—	8.40 (213)	18 (8.2)
	2"	9.81 (249)	4.94 (123)	4.94 (123)	0.12 (3)	9.12 (232)	—	26 (11.8)

Maximum Capacity—lbs/hr (10°F Below Saturation)																	
Trap	Size NPT	Orifice (in.)	Differential-PSIG (barg)														
			1/4 (.017)	1/2 (.034)	1 (.069)	2 (.138)	5 (.345)	10 (.690)	15 (1.03)	20 (1.38)	25 (1.72)	30 (2.07)	40 (2.76)	50 (3.45)	75 (5.17)	100 (6.90)	125 (8.62)
FTN-15	3/4"	.218	279	369	489	650	785	1000	1075								
FTN-15	1"	.218	279	369	489	650	785	1000	1075								
FTN-15	1 1/4"	.312	600	770	980	1240	1640	2000	2340								
FTN-15	1 1/2"	.500	1100	1700	2400	3300	5000	6600	7600								
FTN-15	2"	.625	2300	2800	3600	4650	6900	9000	10900								
FTN-30	3/4"	.218	279	369	489	650	785	1000	1075	1210	1300	1370					
FTN-30	1"	.218	279	369	489	650	785	1000	1075	1210	1300	1370					
FTN-30	1 1/4"	.228	375	500	690	910	1200	1500	1680	1800	1900	2000					
FTN-30	1 1/2"	.390	1000	1300	1700	2300	3400	4600	5500	6000	6600	7000					
FTN-30	2"	.500	1300	1800	2500	3400	5200	6800	7800	8600	9300	10000					
FTN-75 [†]	3/4"	.166	160	213	280	365	520	700	795	875	930	970	1120	1230	1450		
FTN-75 [†]	1"	.166	160	213	280	365	520	700	795	875	930	970	1120	1230	1450		
FTN-75 [†]	1 1/4"	.312	550	725	960	1300	1900	2650	3050	3400	3700	4000	4400	4750	5400		
FTN-75 [†]	1 1/2"	.312	550	725	960	1300	1900	2650	3050	3400	3700	4000	4400	4750	5400		
FTN-75 [†]	2"	.421	850	1100	1500	2000	3100	4150	4750	5200	5500	5800	6400	6800	7700		
FTN-125 [†]	3/4"	.125	100	135	175	230	330	415	500	585	620	685	750	830	970	1110	1190
FTN-125 [†]	1"	.125	100	135	175	230	330	415	500	585	620	685	750	830	970	1110	1190
FTN-125 [†]	1 1/4"	.246	400	520	680	890	1300	1700	2050	2300	2500	2700	3000	3200	3800	4200	4500
FTN-125 [†]	1 1/2"	.246	400	520	680	890	1300	1700	2050	2300	2500	2700	3000	3200	3800	4200	4500
FTN-125 [†]	2"	.332	550	675	880	1225	1950	2600	3000	3250	3500	3800	4200	4600	5500	6100	6600

For Kg/Hr Multiply by .454 †For FTNA capacities, multiply by 1.33.



MAX-FLO

SUPER HIGH CAPACITY FLOAT & THERMOSTATIC STEAM TRAPS

Pressures to 175 PSIG (12.1 barg)
Temperatures to 377°F (192°C)

- High Capacities
- Rugged cast iron body and cover
- Stainless steel thermostatic element eliminates air binding
- Stainless steel float and lever mechanism
- Below condensate level seat design prevents steam leakage
- Resistant to water hammer and corrosion
- In-Line repairable

APPLICATIONS

- Very High Condensate Loads
- Continuous Drainage With High Air Venting Capacity Requirements
- Industrial And Commercial Applications
- Absorption Systems
- Air Handling Coils
- Heat Exchangers
- Dryers Evaporators
- Hot water Generators
- Rendering Machines
- Steam Process Equipment
- Air Make-up Coils
- Unit Heaters And Cooking Kettles

MODELS

- HC-15 - Steam pressures to 15 PSIG
- HC-30 - Steam pressures to 30 PSIG
- HC-75 - Steam pressures to 75 PSIG
- HC-125 - Steam pressures to 125 PSIG
- HC-175 - Steam pressures to 175 PSIG

Installation Tip: Always install STV Test & Block Valve as part of trap station
SEE PAGE 118

Installation Tip: Add Uniflex Pipe Coupling for ease of maintenance
SEE PAGE 102

OPERATION

During startup, air and non-condensable gases enter the trap and are automatically vented through an accurate balanced pressure internal thermostatic air vent. As condensate enters the trap, the float and lever mechanism is raised, lifting the valve off

the seat, discharging the condensate. Condensate will continue to be discharged at the same rate at which it is entering. Any air or non-condensable gas that may accumulate will be continually and efficiently passed by the thermostatic air vent.

MAX-FLO

SUPER HIGH CAPACITY FLOAT & THERMOSTATIC STEAM TRAPS

SPECIFICATION

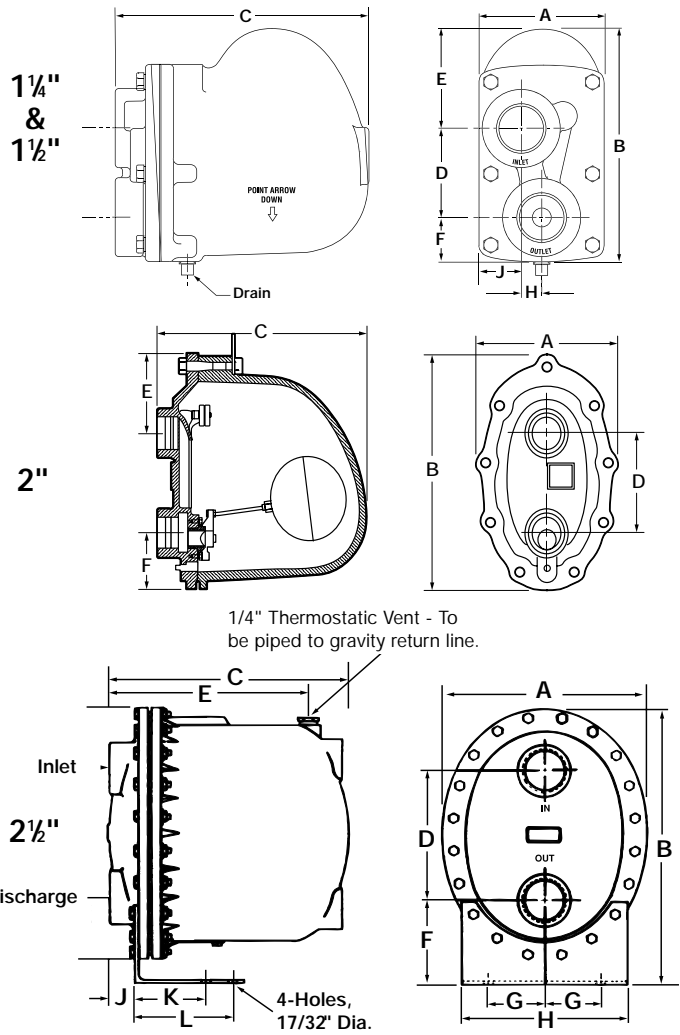
Steam trap shall be of float and thermostatic design. Float shall actuate the valve via a hinged lever and linkage. Air vent shall be of balanced pressure design with stainless steel welded encapsulated bellows capable of discharging air and noncondensable gases continuously. Trap shall be cast iron bodied suitable for pressures to 175 PSI and shall be a _____ NPT connection.

MAXIMUM OPERATING CONDITIONS

PMO: Max. Operating Pressure see orifice selection
 TMO: Max. Operating Temperature saturated at pressure
 PMA: Max. Allowable Pressure 175 PSIG (12.1 barg)
 PMA: Max. Allowable Pressure 377°F (192°C)

MATERIALS OF CONSTRUCTION

Body & CoverCast Iron 30,000 psi tensile
 Valve Pin and SeatStainless Steel (Hardened)
 FloatStainless Steel
 Lever AssemblyStainless Steel
 Thermostatic Air VentStainless Steel Cage & Thermal Element
 Cover BoltsGrade 5
 BaffleStainless Steel (2-1/2 (65mm) units only)



Dimensions													
MODEL	NPT Size in. (mm)	A	B	C	D	E	F	G	H	J	K	L	Weight lbs (kg)
HC-175	1 1/4 & 1 1/2 (32 & 40)	4 1/2 (108)	8 5/8 (211)	8 3/8 (217)	3 (76)	3 3/8 (86)	2 (51)	—	4 5/8 (17.8)	1 3/8 (35)	—	—	18 (8)
ALL	2 (50)	10 (254)	15 (381)	15 1/2 (394)	6 3/8 (168)	4 3/4 (121)	3 1/2 (89)	—	—	—	—	—	108 (49)
ALL	2 1/2 (65)	14 1/2 (368)	20 3/4 (514)	17 3/8 (441)	9 1/2 (241)	14 1 5/8 (379)	6 1/4 (159)	5 (127)	12 (305)	1 3/8 (41)	4 1/2 (114)	7 (178)	175 (79)

Maximum Capacity-lbs/hr																			
Trap	Orifice Max ΔP	Differential - PSIG (barg)																	
		1/4 (0.017)	1/2 (0.035)	1 (0.07)	2 (0.14)	5 (0.35)	10 (0.69)	15 (1.0)	20 (1.4)	25 (1.69)	30 (2.1)	40 (2.8)	50 (3.5)	60 (4.2)	75 (5.2)	100 (6.9)	125 (8.6)	150 (10.4)	175 (12.1)
HC-15, 2"	.970	6500	8000	9500	10800	15500	20900	24000											
HC-15, 2 1/2"	1.875	17000	20000	27000	36000	46000	55000	60000											
HC-30, 2"	.876	3400	4600	6400	8400	12500	16900	19000	21500	23590	24000								
HC-30, 2 1/2"	1.624	14000	17000	20900	25500	33200	40500	45500	49400	52700	55600								
HC-75, 2"	.858	2550	3150	4300	5450	7600	10400	11400	12500	13500	14250	15600	17150	18600	20500				
HC-75, 2 1/2"	1.031	5900	7700	10000	13000	18600	24200	28300	31600	34400	36800	41100	44800	48040	52300				
HC-125, 2"	.448	2300	2800	3450	4200	5450	6600	7450	8050	8600	8950	10350	11950	13400	15600	18850	21800		
HC-125, 2 1/2"	.797	4000	5300	6900	9100	13000	17100	20000	22400	24500	26300	29400	32100	34650	37600	42100	46000		
HC-175, 1 1/4"	.210	260	350	480	640	940	1190	1450	1560	1670	1750	1910	2040	2100	2300	2500	2900	3140	3240
HC-175, 1 1/2"	.210	260	350	480	640	940	119	1450	1560	1670	1750	1910	2040	2100	2300	2500	2900	3140	3240
HC-175, 2"	.375	2100	2600	3000	3500	4400	4900	5350	5800	6250	6700	7600	8600	9550	11000	13000	14750	16500	18000
HC-175, 2 1/2"	.688	2460	3350	4600	6200	9400	12800	15400	17500	19300	21000	23800	26300	28060	31600	35900	39700	43100	46200

For Kg/Hr Multiply by .454



FTE 10



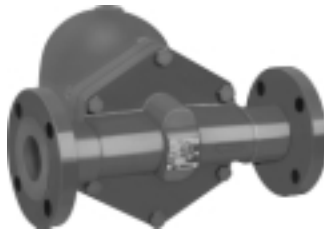
FTE 14



FTE 43



FTE 44



FTE 44F

APPLICATIONS

- Very High Condensate Loads
- Continuous Drainage With High Air Venting Capacity Requirements
- Industrial And Commercial Applications
- Absorption Systems
- Air Handling Coils
- Heat Exchangers
- Dryers Evaporators
- Hot water Generators
- Rendering Machines
- Steam Process Equipment
- Air Make-up Coils
- Unit Heaters And Cooking Kettles

OPTIONS

- BSPT Threaded connection
- S-SLR Orifice on FTE-10
- Socket Weld connection on FTE-44
- Flanged connections
 - ANSI 125/150, 300, 600
 - DIN 10, 16, 25 or 40
 - BS10 - F, H, J, K or R

OPERATION

During startup, air and non-condensable gases enter the trap and are automatically vented through an accurate balanced pressure internal thermostatic air vent. As condensate enters the trap, the float and lever mechanism is raised,

FTE SERIES FLOAT & THERMOSTATIC STEAM TRAPS

Pressures to 464 PSIG (32 barg)
Temperatures to 850°F (454°C)

- High Capacities
- Rugged cast iron, ductile iron or cast steel body and cover
- Stainless steel thermostatic element eliminates air binding
- Stainless steel float and lever mechanism
- Below condensate level seat design prevents steam leakage
- Resistant to water hammer and corrosion
- In-Line repairable

MODELS

CAST IRON BODY

- FTE-10 – To 200 PSIG Threaded Connections
- FTE-43 – To 200 PSIG Flanged Connections

DUCTILE IRON BODY

- FTE-14 – To 200 PSIG Threaded Connections

CAST STEEL BODY

- FTE-44 – To 465 PSIG Threaded/Socket Weld Connections
- FTE-44F – To 465 PSIG Flanged Connections

Installation Tip: Always install STV Test & Block Valve as part of trap station
SEE PAGE 118

Installation Tip:
Add Uniflex Pipe Coupling for ease of maintenance on NPT Traps
SEE PAGE 102

lifting the valve off the seat, discharging the condensate. Condensate will continue to be discharged at the same rate at which it is entering. Any air or non-condensable gas that may accumulate will be continually and efficiently passed by the thermostatic air vent.

FTE SERIES

FLOAT & THERMOSTATIC STEAM TRAPS

SPECIFICATION

Steam trap shall be of float and thermostatic design. Float shall actuate the valve via a hinged lever and linkage. Air vent shall be of balanced pressure design with stainless steel welded encapsulated bellows capable of discharging air and noncondensable gases continuously. Trap shall be _____ bodied suitable for pressures to _____ PSI and shall be a _____ connection.

MAXIMUM OPERATING CONDITIONS

CAST IRON/DUCTILE IRON

PMO: Max. Operating Pressure see orifice selection

TMO: Max. Operating Temperature saturated at pressure

PMA: Max. Allowable Pressure 232 psig (16 barg)

PMA: Max. Allowable Pressure 450°F (232°C)

CAST STEEL

PMO: Max. Operating Pressure see orifice selection

TMO: Max. Operating Temperature saturated at pressure

PMA: Max. Allowable Pressure 465 psig (32 barg)

TMA: Max. Allowable Pressure 850°F (454°C)

MATERIALS OF CONSTRUCTION

Body & Cover Cast Iron (ASTM A48 Cl. 30)

..... Ductile Iron (DIN 1693 GGG 40)

..... Cast Steel (ASTM A216 Gr. WCB)

Valve Stainless Steel 304 (up to 1")

..... Stainless Steel 410 (1½", 2")

Valve Seat Stainless Steel 410

Housing & Housing Cover for Float Mechanism

..... ASTM A743 Gr. CA 40 (Investment Cast)

Float Stainless Steel 304

Lever Assembly Stainless Steel 304

Thermostatic Airvent Stainless Steel 304

Cover Bolts SAE Gr. 8

Connections:
1/2" - 2" NPT, Flanged or Socket Weld

Maximum Capacity—lbs/hr (10°F Below Saturation)

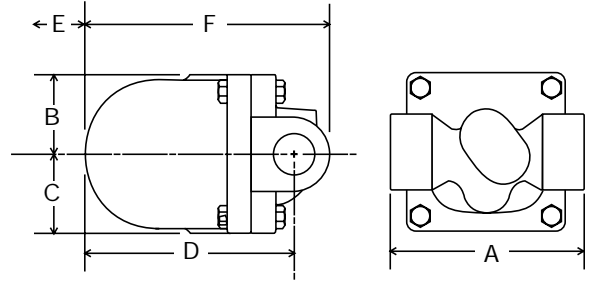
Trap	Size Inlet	Orifice (in.)	Max ΔP		Differential Pressure-PSIG (barg)																
			BAR	PSI	5 (.345)	10 (.690)	20 (1.38)	40 (2.76)	50 (3.45)	65 (4.50)	80 (5.52)	100 (6.90)	125 (8.62)	145 (10.0)	180 (12.4)	200 (13.8)	300 20.7	400 27.6	465 32.1		
FTE-10, 14, & 43	1/2 & 3/4	0.142	4.5	65	400	520	700	950	1000	1150											
		0.095	10.0	145	275	380	530	720	800	900	1000	1080	1250	1380							
		0.079	14.0	200	200	290	400	570	640	700	800	900	1020	1100	1240	1300					
FTE-10, 14, & 43	1	0.256	4.5	65	1650	2200	3050	4200	5000	5200											
		0.17	10.0	145	870	1250	1650	2350	2600	3000	3200	3500	3900	4100							
		0.142	14.0	200	640	800	1250	1600	1800	2000	2200	2550	2780	2900	3020	3100					
FTE-10 & 43	1½	0.689	4.5	65	4200	6000	8800	12500	13500	15000											
		0.571	10.0	145	2800	3900	5600	8000	9000	10000	11500	13000	14200	15000							
		0.531	14.0	200	1800	2600	3600	5000	5450	6000	6900	7800	8600	9000	9650	10000					
FTE-10 & 43	2	1.063	4.5	65	13500	19800	28000	40000	45000	50500											
		0.811	10.0	145	7300	10000	14500	20000	22500	26000	29000	32000	35000	40000							
		0.657	14.0	200	3500	5000	6800	9600	10500	12000	13500	15000	16500	17500	19000	20000					
FTE-44 & 44F	1/2 & 3/4	0.142	4.5	65	400	520	700	950	1000	1150											
		0.095	10.0	145	275	380	530	720	800	900	1000	1080	1250	1380							
		0.079	14.0	200	200	290	400	570	640	700	800	900	1020	1100	1240	1300					
		0.07	21.0	300	110	145	200	280	315	350	400	430	480	520	580	610	700				
		0.063	32.0	465	65	90	120	155	170	200	215	250	280	300	325	345	400	425	440		
FTE-44 & 44F	1	0.256	4.5	65	1650	2200	3050	4200	5000	5200											
		0.17	10.0	145	870	1250	1650	2350	2600	3000	3200	3500	3900	4100							
		0.142	14.0	200	640	800	1250	1600	1800	2000	2200	2550	2780	2900	3020	3100					
		0.114	21.0	300	400	520	700	950	1000	1150	1600	1850	2020	2150	2350	2500	2800				
		0.095	32.0	465	275	380	530	720	800	900	1000	1080	1250	1380	1440	1500	1800	2000	2050		
FTE-44 & 44F	1½	0.689	4.5	65	4200	6000	8800	12500	13500	15000											
		0.571	10.0	145	2800	3900	5600	8000	9000	10000	11500	13000	14200	15000							
		0.531	14.0	200	1800	2600	3600	5000	5450	6000	6900	7800	8600	9000	9650	10000					
		0.531	21.0	300	1800	2600	3600	5000	5450	6000	6900	7800	8600	9000	9650	10000	13000				
		0.531	32.0	465	1800	2600	3600	5000	5450	6000	6900	7800	8600	9000	9650	10000	13000	14300	15000		
FTE-44 & 44F	2	1.063	4.5	65	13500	19800	28000	40000	45000	50500											
		0.811	10.0	145	7300	10000	14500	20000	22500	26000	29000	32000	35000	40000							
		0.657	14.0	200	3500	5000	6800	9600	10500	12000	13500	15000	16500	17500	19000	20000					
		0.657	21.0	300	3500	5000	6800	9600	10500	12000	13500	15000	16500	17500	19000	20000	27000				
		0.657	32.0	465	3500	5000	6800	9600	10500	12000	13500	15000	16500	17500	19000	20000	27000	29800	31000		

For Kg/Hr Multiply by .454

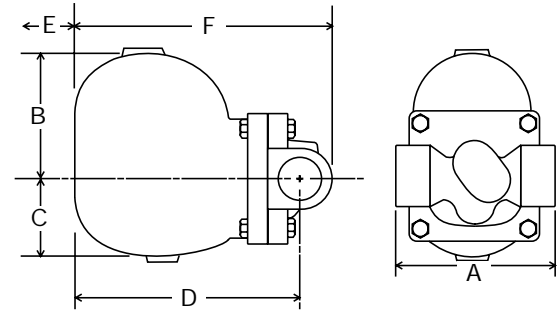
SERIES FTE DIMENSIONS

DIMENSIONS inches (mm) AND WEIGHTS pounds (kg) SERIES FTE-10 & FTE 44

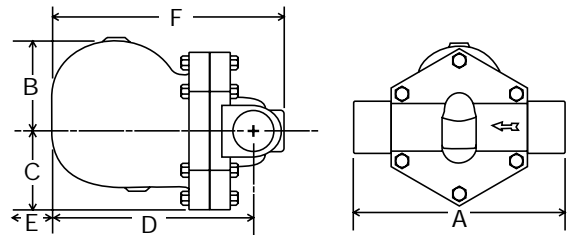
Size	Inches (mm)						Weight Lbs(kg)	
	A	B	C	D	E	F	FTE-10	FTE-44
1/2	5 ¹ / ₆ (128)	2 ¹ / ₆ (54)	2 ¹ / ₆ (54)	5 ¹ / ₆ (145)	4 ¹ / ₆ (110)	6 ¹ / ₆ (170)	10.5 (4.8)	11.4 (5.2)
3/4	5 ¹ / ₆ (128)	2 ¹ / ₆ (54)	2 ¹ / ₆ (54)	5 ¹ / ₆ (145)	4 ¹ / ₆ (110)	6 ¹ / ₆ (170)	10.5 (4.8)	11 (5.0)
1	5 ¹ / ₆ (128)	4 ¹ / ₆ (110)	2 ¹ / ₆ (75)	7 ¹ / ₂ (190)	6 ¹ / ₆ (160)	8 ¹ / ₂ (216)	18.7 (8.5)	17.6 (8.0)
1 ¹ / ₂	11 ¹ / ₆ (282)	5 (127)	4 ¹ / ₆ (110)	10 (254)	7 ¹ / ₆ (200)	11 ¹ / ₆ (289)	49.5 (22.5)	48.4 (22.0)
2	12 ¹ / ₆ (308)	5 ¹ / ₂ (140)	5 (127)	10 ¹ / ₄ (260)	7 ¹ / ₆ (200)	11 ¹ / ₆ (300)	61.6 (28.0)	59.4 (27.0)



FTE-10 CAST IRON & FTE-44 CAST STEEL 1/2" & 3/4"



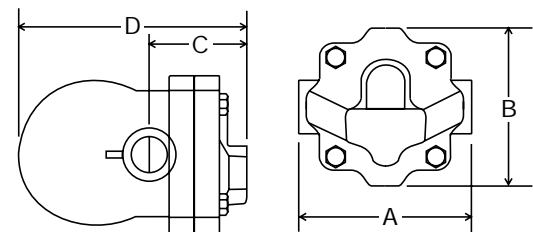
FTE-10 CAST IRON & FTE-44 CAST STEEL 1"



FTE-10 CAST IRON & FTE-44 CAST STEEL 1 1/2" & 2"

DIMENSIONS inches (mm) AND WEIGHTS pounds (kg) SERIES FTE-14

Size	Inches (mm)				Weight lbs. (kg)
	A	B	C	D	
1/2	4 ³ / ₄ (121)	4 ¹ / ₄ (108)	2 ⁵ / ₆ (67)	5 ¹ / ₆ (148)	7.9 (3.6)
3/4	4 ³ / ₄ (121)	4 ¹ / ₄ (108)	2 ⁵ / ₆ (67)	5 ¹ / ₆ (148)	7.9 (3.6)
1	5 ¹ / ₆ (145)	4 ¹ / ₄ (108)	3 (76)	6 ¹ / ₆ (167)	10.1 (4.6)

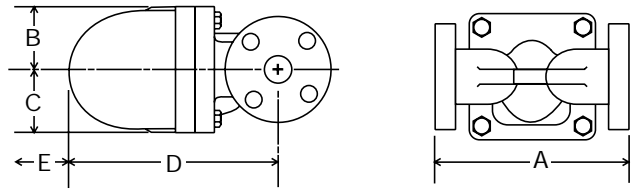


FTE-14-DUCTILE IRON 1/2", 3/4" & 1"

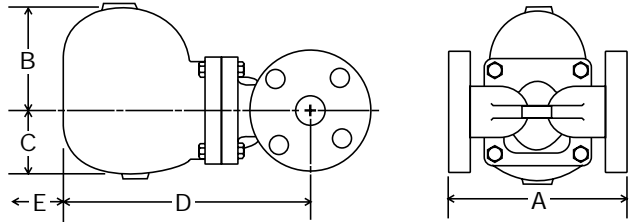
SERIES FTE DIMENSIONS

DIMENSIONS inches (mm)
AND WEIGHTS pounds (kg)
SERIES FTE-43

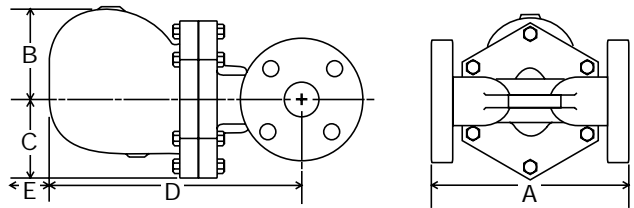
Size	Inches (mm)					Weight Lbs. (kg)
	A	B	C	D	E	
1/2	5 ⁵ / ₁₆ (150)	2 ¹ / ₈ (54)	2 ¹ / ₈ (54)	7 ¹ / ₂ (190)	4 ⁵ / ₁₆ (110)	15.4 (7.0)
3/4	5 ⁵ / ₁₆ (150)	2 ¹ / ₈ (54)	2 ¹ / ₈ (54)	7 ⁷ / ₁₆ (192)	4 ⁵ / ₁₆ (110)	16.5 (7.5)
1	6 ⁵ / ₁₆ (160)	4 ⁵ / ₁₆ (110)	2 ¹⁵ / ₁₆ (75)	9 ⁹ / ₁₆ (245)	6 ⁵ / ₁₆ (160)	25.3 (11.5)
1 ¹ / ₂	9 ⁵ / ₁₆ (230)	5 (127)	4 ⁵ / ₁₆ (110)	13 ³ / ₈ (333)	7 ⁷ / ₈ (200)	61.6 (28.0)
2	9 ⁵ / ₁₆ (230)	5 ¹ / ₂ (140)	5 (127)	13 ¹ / ₂ (343)	7 ⁷ / ₈ (200)	74.8 (34.0)



FTE-43 CAST IRON 1/2" & 3/4"



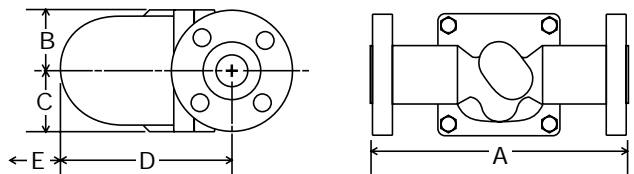
FTE-43 CAST IRON 1"



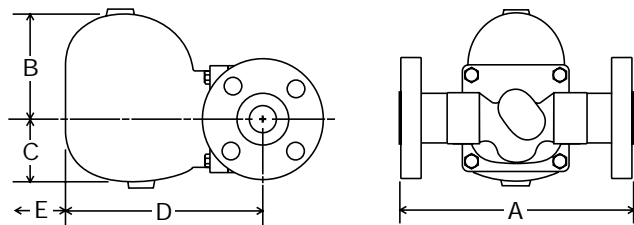
FTE-43 CAST IRON 1¹/₂" & 2"

DIMENSIONS inches (mm)
AND WEIGHTS pounds (kg)
SERIES FTE-44F

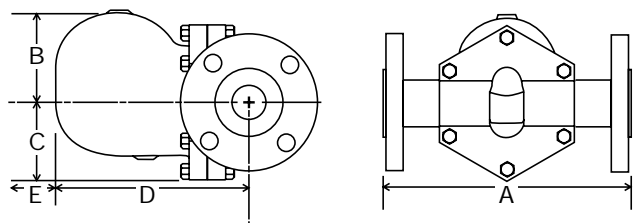
Size	Inches (mm)					Weight Lbs. (kg)
	A	B	C	D	E	
1/2	8 ¹ / ₄ (210)	2 ¹ / ₈ (54)	2 ¹ / ₈ (54)	5 ⁵ / ₁₆ (141)	4 ⁵ / ₁₆ (110)	16.5 (7.5)
3/4	8 ¹ / ₄ (210)	2 ¹ / ₈ (54)	2 ¹ / ₈ (54)	5 ⁵ / ₁₆ (141)	4 ⁵ / ₁₆ (110)	17.6 (8.0)
1	8 ¹ / ₄ (210)	4 ⁵ / ₁₆ (110)	2 ¹⁵ / ₁₆ (75)	7 ¹ / ₂ (190)	6 ⁵ / ₁₆ (160)	25.3 (11.5)
1 ¹ / ₂	12 ³ / ₁₆ (325)	5 (127)	4 ⁵ / ₁₆ (110)	9 ⁵ / ₁₆ (245)	7 ⁷ / ₈ (200)	60.5 (27.5)
2	12 ³ / ₁₆ (325)	5 ¹ / ₂ (140)	5 (127)	9 ⁵ / ₁₆ (251)	7 ⁷ / ₈ (200)	74.8 (34.0)



FTE-44F CAST STEEL 1/2" & 3/4"



FTE-44F CAST STEEL 1"



FTE-44F CAST STEEL 1¹/₂" & 2"



DURA-FLO INVERTED BUCKET STEAM TRAPS

Pressures To 250 PSIG (17.2 barg)
Temperatures to 450°F (232°C)

Hardened Stainless Steel Valve and Seat — Long life and maximum corrosion resistance.

Stainless Steel Bucket — Long lasting, rugged and naturally resistant to water hammer.

Inexpensive — Low maintenance and initial cost.

Repairable in-line — All working parts lift out of top of trap.

Cast Iron Body — Durable heavy wall construction provides years of reliable service.

Suitable for Wide Variety of Loads/Applications — Horizontal and vertical models in thirteen body sizes.

Resists Dirt and Scale — Valve and seats positioned at top of traps and internal stainless strainer available on most horizontal models ensure long service.

APPLICATIONS

- Steam Lines
- Process Equipment
- Steam Cookers
- Steam Heated Vats
- Pressing Machinery
- Unit Heaters
- Oil Preheaters
- Converters
- Coils
- Rotating Drum

OPTIONS *See page 9*

- Repair Kits

Canadian Registration # OE 0591.1C

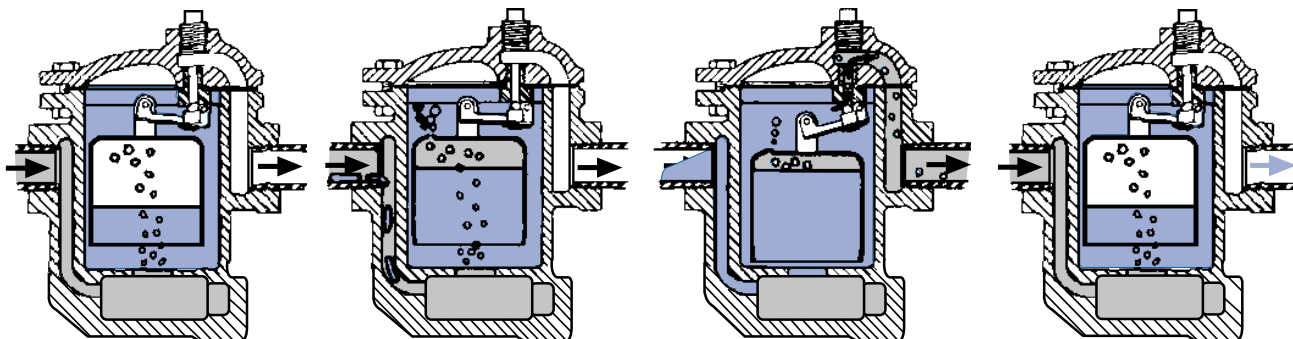
Installation Tip: Always install STV Test & Block Valve as part of trap station SEE PAGE 118

Installation Tip: Add Uniflex Pipe Coupling for ease of maintenance SEE PAGE 102

MODELS

- 80S—Low capacity horizontal w/integral strainer
- 81S—Medium low capacity horizontal w/integral strainer
- 82S—Medium capacity horizontal w/integral strainer
- 83S—Medium high capacity horizontal w/integral strainer
- 84—High capacity horizontal
- 85—Super high capacity horizontal
- 86—Ultra high capacity horizontal
- 21—Medium low capacity vertical
- 22—Medium capacity vertical
- 23—Medium high capacity vertical
- 24—High capacity vertical
- 25—Super high capacity vertical
- 26—Ultra high capacity vertical

OPERATION



Trap Closed – After trap is installed and primed, steam entering the trap collects in the top of the bucket, floating the bucket and forcing the valve into its seat.

Trap Begins to Open – As condensate begins to flow into the trap, steam and air are forced from the bucket. This causes the bucket to begin losing buoyancy, tending to pull the valve from its seat.

Trap Discharges – When enough condensate has entered the trap, displacing the steam and air, the bucket drops, pulling the valve from the seat and allowing condensate and air to discharge.

Trap Closes – As the flow of condensate stops, steam enters the trap and refloats the bucket, forcing the valve into its seat. The cycle then repeats as more condensate reaches the trap.

DURA-FLO INVERTED BUCKET STEAM TRAPS

SPECIFICATION

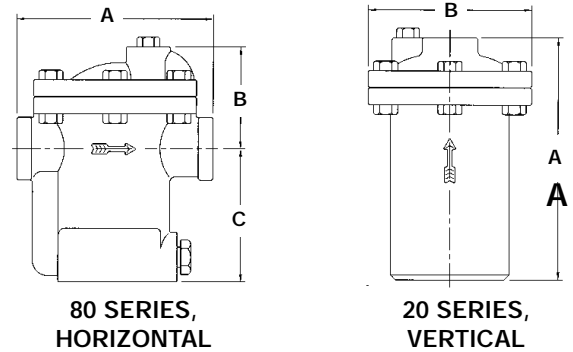
Furnish and install as shown on the plans, inverted bucket traps capable of discharging condensate, air and other non-condensable gases without loss of steam. These traps shall have a heavy cast iron body, hardened stainless steel valve and seat, all stainless steel linkage and bucket, and an asbestos free fiber cover gasket.

MAXIMUM OPERATING CONDITIONS

PMO: Max. Operating Pressure see orifice selection
 TMO: Max. Operating Temperature saturated at pressure
 PMA: Max. Allowable Pressure 250 psig (17.2 barg)
 TMA: Max. Allowable Temperature 450°F (232°C)

MATERIALS OF CONSTRUCTION

Body & CoverCast Iron ASTM-A-126/A48
 Bucket & LinkageStainless Steel
 Valve & SeatHardened Chrome Steel
 StandpipeSteel Pipe
 Cover GasketAsbestos Free Fiber



Connections: ½" - 2½" NPT

DURA-FLO Dimension Table					
Trap	End Connections	Inches (mm)			Weight Lbs (kg)
		A	B	C	
80S	½, ¾	5½ (129)	2⅞ (69)	3½ (89)	7 (3.2)
81S	½, ¾, 1	5½ (129)	2⅞ (69)	4⅞ (113)	8 (3.6)
82S	½, ¾	7 (178)	3⅞ (98)	5⅞ (138)	22 (10.0)
83S	¾, 1	8⅞ (206)	5 (127)	7⅞ (194)	32 (14.5)
84	1, 1¼	9 (229)	5⅞ (146)	7⅞ (199)	47 (21.3)
85	1½, 2	10¼ (260)	8 (203)	8⅞ (213)	74 (33.6)
86	2, 2½	13 (330)	9⅞ (248)	11 (279)	140 (63.5)
21	½	6⅞ (162)	4¼ (108)	—	6.5 (2.9)
22	½, ¾	8 (203)	5⅞ (143)	—	16 (7.3)
23	¾, 1	10½ (267)	6⅞ (175)	—	28 (12.7)
24	1, 1¼	12½ (318)	7⅞ (190)	—	35 (15.9)
25	1, 1½	14⅞ (365)	9⅞ (230)	—	60 (27.2)
26	1½, 2	16⅞ (424)	10¼ (260)	—	90 (40.8)

DURA-FLO CAPACITY TABLES

Trap	Orifice		0.50 (.034)	1 (.069)	5 (.345)	10 (.690)	15 (1.03)	20 (1.38)	25 (1.72)	30 (2.07)	40 (2.76)	60 (4.14)	70 (4.83)	80 (5.52)	100 (6.90)	125 (8.62)	130 (8.97)	150 (10.3)	180 (12.4)	200 (13.8)	225 (15.5)	250 (17.2)
	Size	Max ΔP																				
80S	3/16	20	200	270	450	560	640	690														
	1/8	80	80	110	200	300	360	420	460	500	540	620	660	690								
	7/64	125	-	55	90	145	195	260	305	345	400	485	525	565	640	680						
	3/32	150	-	-	70	110	150	200	240	270	310	380	410	440	480	540	545	570				
81S & 21	1/4	15	300	450	830	950	1060															
	3/16	30	190	300	540	670	770	880	950	1000												
	5/32	70	100	165	180	430	495	585	655	710	770	900	950									
	1/8	125	70	130	220	340	390	460	515	560	610	710	760	800	860	950						
	7/64	200	-	65	150	230	275	335	375	405	455	545	580	610	665	735	780	810	850	860		
3/32	250	-	-	100	150	190	240	270	290	340	420	450	470	520	575	585	620	670	700	730	760	
82S & 22	5/16	15	570	850	1600	1900	2100															
	1/4	30	350	500	950	1380	1630	1800	1900	2050												
	3/16	70	250	420	785	950	1120	1260	1395	1500	1700	2000	2200									
	5/32	125	180	300	560	680	800	900	995	1070	1220	1440	1550	1650	1800	2000						
	1/8	200	100	180	325	465	505	575	650	710	805	980	1050	1105	1225	1375	1410	1500	1560	1600		
7/64	250	75	130	240	340	370	420	480	520	590	720	770	810	900	1010	1020	1100	1170	1230	1280	1300	
83S & 23	1/2	15	1410	1880	2900	3500	3900															
	3/8	30	990	1400	2300	2700	3300	3500	3800	4000												
	5/16	60	600	940	1730	2045	2510	2825	2995	3135	3800	4400										
	9/32	80	510	735	1350	1595	1960	2205	2340	2450	2880	3490	3800	4000								
	1/4	125	385	600	1100	1300	1600	1800	1910	2000	2350	2850	3100	3300	3600	3900						
	7/32	180	300	490	860	1165	1350	1595	1865	2085	2205	2510	2695	2820	3065	3185	3300	3500	3700			
3/16	250	255	400	700	950	1100	1300	1520	1700	1800	2050	2200	2300	2500	2600	2700	2800	3020	3200	3400	3500	
84 & 24	5/8	15	2160	2900	4800	5800	6500															
	1/2	30	1450	2250	3700	4750	5200	6000	6500	6800												
	3/8	60	1050	1750	2950	3550	4000	4700	5000	5400	5800	6800										
	11/32	80	800	1560	2500	2900	3200	3500	4000	4400	4850	5750	6000	6400								
	5/16	125	660	1200	1950	2450	2750	3100	3250	3500	4000	4800	5250	5600	6200	6700						
	9/32	180	550	950	1500	1900	2200	2350	2700	2900	3250	3800	4250	4500	4800	5500	5600	5700	6000			
1/4	250	350	580	1000	1250	1450	1800	2000	2200	2600	3150	3350	3500	3800	4300	4450	4700	5000	5300	5500	5700	
85 & 25	3/4	15	3100	4160	7600	9000	10000															
	9/16	30	1800	2900	5200	6400	7700	8500	9200	9800												
	7/16	60	1400	2200	3800	5000	6000	6600	7100	7600	8300	9500										
	3/8	100	1100	1700	3000	3600	4500	5200	5800	6100	7000	8500	9200	9700	10400							
	11/32	130	900	1500	2600	3200	3900	4500	5000	5400	6200	7500	8050	8500	9600	10900	11000					
	5/16	180	750	1200	2100	2600	3200	3700	4100	4500	5400	6600	7000	7257	8118	8979	9040.5	9500	10000			
	9/32	225	600	970	1700	2100	2600	2950	3300	3600	4500	5400	5700	5900	6600	7300	7350	7850	8400	9200	9800	
1/4	250	400	700	1200	1500	1900	2100	2400	2600	3200	3800	4000	4150	4600	5100	5150	5500	5950	6350	6650	7000	
86 & 26	1-1/16	15	6240	8400	14500	17300	19200															
	7/8	25	4100	5490	10000	12930	15620	18500	20000													
	3/4	40	2900	4500	8200	10600	12800	15000	16700	18000	20000											
	5/8	60	2100	3500	6900	8700	10600	12100	13300	14250	16300	19800										
	9/16	80	1900	3095	6000	7600	9300	10600	11700	12500	14300	17300	18300	19000								
	1/2	125	1600	2600	5000	6400	7800	8900	9800	10500	12000	14500	15400	16300	18000	20000						
	7/16	180	1400	2210	4180	5530	6640	7500	8490	9230	10450	12420	13300	14150	15750	17400	17900	18500	20000			
	3/8	250	1000	1800	3400	4500	5400	6100	6900	7500	8500	10100	10800	11500	12800	14200	14300	15600	16900	17500	18500	19000

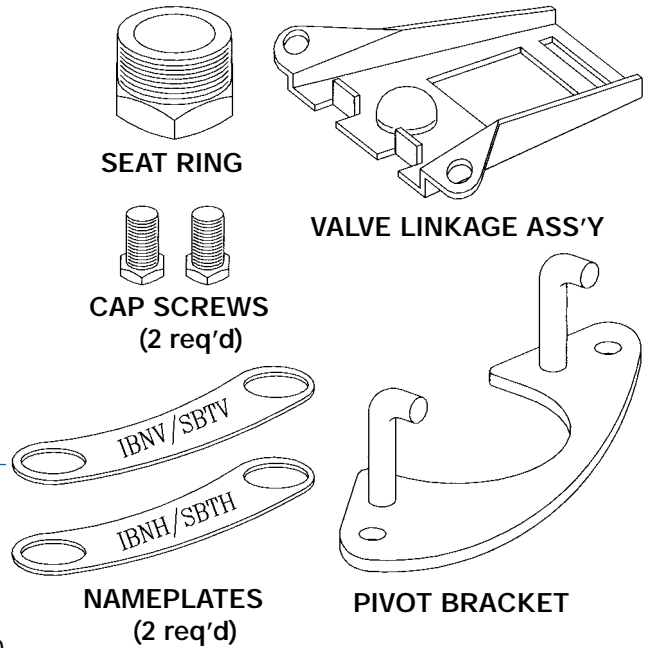
For Kg/Hr Multiply by .454

DURA-FLO INVERTED BUCKET STEAM TRAPS PCA REPAIR KITS

Quick, easy and economical
Simplifies and standardizes inventory
All stainless steel corrosion resistant internal parts
Hardened stainless steel condensate valves and seats
for extra long life

MODELS

- 80S—Orifice ratings 20, 80, 125, 150
- 81S & 21—Orifice ratings 15, 30, 70, 125, 200, 250
- 82S & 22—Orifice ratings 15, 30, 70, 125, 200, 250
- 83S & 23—Orifice ratings 15, 30, 60, 80, 125, 180, 250
- 84 & 24—Orifice ratings 15, 30, 60, 80, 125, 180, 250
- 85 & 25—Orifice ratings 15, 30, 60, 100, 130, 180, 225, 250
- 86 & 26—Orifice ratings 15, 25, 40, 60, 80, 125, 180, 250



Supplied in a labeled, clear plastic bag.

FTN SERIES FLOAT & THERMOSTATIC STEAM TRAPS REPAIR KITS

High quality replacement kits
Rebuild existing F & T Traps far more economically than
replacement
Quick, easy and economical
Simplifies and standardizes inventory
All stainless steel corrosion resistant internal parts
Hardened stainless steel condensate valves and seats
for extra long life
Repairs other leading manufacturers' F & T Traps

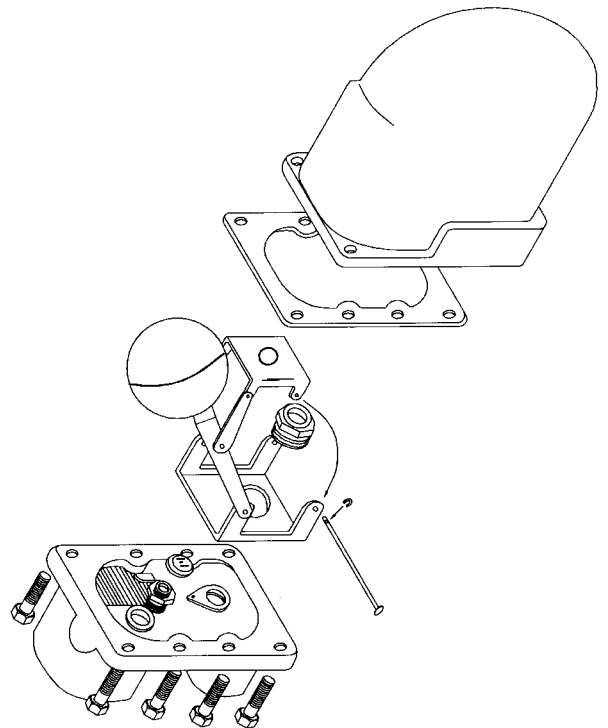
MODELS

- FTN-15 available in ¾", 1", 1¼", 1½" and 2"
- FTN-30 available in ¾", 1", 1¼", 1½" and 2"
- FTN-75 available in ¾", 1", 1¼", 1½" and 2"
- FTN-125 available in ¾", 1", 1¼", 1½" and 2"

All ¾" and 1" kits as well as 1¼" FTN-15 and FTN-30 kits
supplied with cover assembly.

All 1¼" FTN-75 and FTN-125 kits as well as all 1½" and 2"
kits supplied as mechanism complete.

See Capacity Charts on page 37



Consult factory for latest crossover fitments.



SEALED STAINLESS STEEL DURA-FLO INVERTED BUCKET STEAM TRAPS

Pressures to 650 PSIG (45 barg)
Temperatures to 497°F (258°C)

APPLICATIONS

- Steam Lines
- Process Equipment
- Steam Cookers
- Steam Heated Vats
- Pressing Machinery
- Unit Heaters
- Oil Preheaters
- Converters
- Coils
- Rotating Drum

Canadian Registration #: OE10389.52

For information on Big Block UMTVS-BB Connector
SEE PAGE 116

Easy Trap Replacement — Universal two bolt swivel mounting option simplifies removal from system.

Simple Installation — Stainless mounting Block mounts permanently into system. Trap installs via two bolt universal mount connection.

Hardened Chrome Steel Valve and Seat — Long life and maximum corrosion resistance.

Stainless Steel Bucket — Long lasting, rugged and naturally resistant to water hammer.

Inexpensive — Low maintenance and initial cost.

Stainless Steel Body — Durable heavy wall construction provides years of reliable service and resists corrosion and freezing.

Suitable for Wide Variety of Loads/Applications — Horizontal models in three body sizes.

Resists Dirt and Scale — Valve and seats positioned at top of traps ensure long service.

Maintenance Free (TSBT-S and USBT-S) — Sealed design prevents unnecessary tampering. Trap can be inspected and replaced without breaking pipe.

Freeze Resistant — Extruded SS Body helps prevent problems associated with freezing conditions.

MODELS

NPT CONNECTION

- **TSBT-LS** – Low Capacity, 200 PSIG
- **TSBT-MS** – Medium Capacity, 340 PSIG
- **TSBT-HS** – High Capacity, 650 PSIG

UMT CONNECTION

- **USBT-LS** – Low Capacity, 200 PSIG
- **USBT-MS** – Medium Capacity, 340 PSIG
- **USBT-HS** – High Capacity, 650 PSIG

UMT CONNECTOR BLOCKS

- **UMTC**–Standard connector (1/2" & 3/4" only)
- **UMTCY-RH**–Right Hand Connector with Y Strainer
- **UMTCY-LH**–Left Hand connector with Y Strainer
- **UMTVS-BB**–Connector with Isolation Valves, Strainer, Blowdown Valve and Test Port

OPERATION

After trap is installed and primed, steam entering the trap collects in the top of the bucket, floating the bucket and forcing the valve into its seat. As condensate begins to flow into the trap, steam and air are forced from the bucket. This causes the bucket to begin losing buoyancy, tending to pull the valve from its seat. When

enough condensate has entered the trap, displacing the steam and air, the bucket drops, pulling the valve from the seat and allowing condensate and air to discharge. As the flow of condensate stops, steam enters the trap and re-floats the bucket, forcing the valve into its seat. The cycle then repeats as more condensate reaches the trap.

SEALED STAINLESS STEEL DURA-FLO INVERTED BUCKET STEAM TRAPS

SPECIFICATION

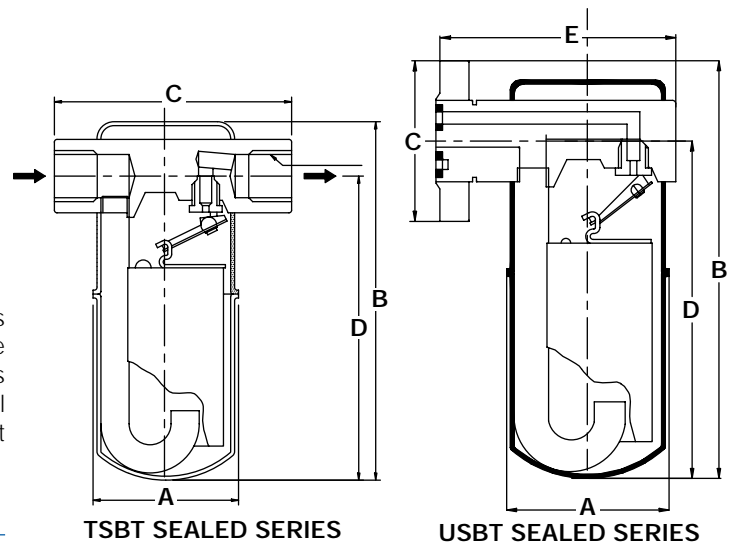
Furnish and install as shown on the plans, inverted bucket traps capable of discharging condensate, air and other non-condensable gases without loss of steam. These traps shall have a stainless steel sealed body, hardened chrome steel valve and seat and an all stainless steel linkage and bucket. It shall have a universal mount connector option.

MAXIMUM OPERATING CONDITIONS

PMO: Max. Operating Pressure See Orifice Selection
 TMO: Max. Operating Temperature Saturated at PMO
 PMA: Max. Allowable Pressure -
 LS 200 psig (13.8 barg) at 450°F (232°C)
 MS 307 psig (21.2 barg) at 450°F (232°C)
 HS 650 psig (44.8 barg) at 497°F (258°C)
 TMA: Max. Allowable Temperature -
 MS, LS & HS - 800°F (425°C)

MATERIALS OF CONSTRUCTION

BodyAISI 304 SS
 BucketAISI 304 SS
 Bucket Clip.....AISI 304 SS
 LeverAISI 304 SS
 Inlet TubeAISI 304 SS
 Valve.....Hardened Chrome Steel AISI D3
 Valve SeatHardened Chrome Steel AISI D3
 ConnectorAISI 304 SS



TSBT SEALED SERIES

USBT SEALED SERIES

Connections: 3/8" - 1" NPT

DIMENSIONS inches (mm) AND WEIGHTS pounds (kg)

Model	Inches (mm)				Weight lbs(kg)
	A	B	C	D	
TSBT-LS	2 3/8 (70)	5 1/8 (142)	4 1/8 (110)	4 1/8 (116)	2.25 (1)
TSBT-MS	2 3/8 (70)	6 1/8 (167)	4 1/8 (110)	5 1/8 (141)	2.5 (1.1)
TSBT-HS	3 1/8 (99)	8 1/8 (218)	5 (127)	7 1/8 (187)	7 (3.2)

Connections:
Universal Mount Two Bolt Swivel Connection

DIMENSIONS inches (mm) AND WEIGHTS pounds (kg)

Model	Inches (mm)					Weight lbs(kg)
	A	B	C	D	E	
USBT-LS	2 3/8 (70)	6 (152)	2 3/8 (70)	4 1/8 (117)	4 (101.6)	4.25 (2)
USBT-MS	2 3/8 (70)	7 1/8 (183)	2 3/8 (70)	5 1/8 (148)	4 (101.6)	4.75 (2.2)
USBT-HS	3 1/8 (99)	8 3/8 (222)	2 3/8 (70)	7 1/8 (187)	5 (127)	7 (3.2)

Maximum Capacity—(lbs/hr)

Trap	Orifice		Differential Pressure												
			5	10	15	30	40	70	80	125	200	250	300	400	650
	Size	MOP	(0.34)	(0.69)	(1.03)	(2.07)	(2.76)	(4.83)	(5.52)	(8.62)	(13.79)	(17.24)	(20.69)	(27.59)	(44.83)
SBT-LS & TSBT-LS	3/32	200	85	120	145	200	230	300	325	400	500				
	1/4	15	800	920	1040										
USBT-MS & TSBT-MS	3/16	30	540	690	800	1000									
	5/32	70	390	490	560	700	790	940							
	1/8	125	260	325	400	530	600	750	800	970					
	7/64	200	200	265	315	410	470	580	610	720	900				
	3/32	250	155	200	240	315	360	440	480	560	690	750			
USBT-HS & TSBT-HS	5/64	400	100	130	155	210	235	280	310	360	440	460	510	580*	
	1/4	40	1040	1350	1580	2000	2350								
	3/16	80	680	930	1120	1550	1775	2400	2300						
	1/8	250	320	42	510	700	790	1020	1090	1300	1650	1800			
	7/64	300	220	280	325	430	500	630	685	800	1000	1100	1200		
3/32	650	175	225	270	370	400	510	540	650	800	870	930	1050	1300	

For Kg/Hr Multiply by .454

* CRN not available



REPAIRABLE STAINLESS STEEL DURA-FLO INVERTED BUCKET STEAM TRAPS

Pressures to 650 PSIG (45 barg)
Temperatures to 497°F (258°C)

APPLICATIONS

- Steam Lines
- Process Equipment
- Steam Cookers
- Steam Heated Vats
- Pressing Machinery
- Unit Heaters
- Oil Preheaters
- Converters
- Coils
- Rotating Drum

Canadian Registration # OE10389.52

For information on Big Block UMTVS-BB Connector
SEE PAGE 116

Easy Trap Replacement — Universal two bolt swivel mounting option simplifies removal from system.

Simple Installation — Stainless mounting Block mounts permanently into system. Trap installs via two bolt universal mount connection.

Hardened Chrome Steel Valve and Seat — Long life and maximum corrosion resistance.

Stainless Steel Bucket — Long lasting, rugged and naturally resistant to water hammer.

Inexpensive — Low maintenance and initial cost.

Stainless Steel Body — Durable heavy wall construction provides years of reliable service and resists corrosion and freezing.

Suitable for Wide Variety of Loads/Applications — Horizontal models in three body sizes.

Resists Dirt and Scale — Valve and seats positioned at top of traps ensure long service.

Repairable Model (TSBT_R & USBT_R) — Removable cover allows pressure change or repair with existing Dura-Flo PCA kits.

MODELS

NPT CONNECTION, REPAIRABLE

- TSBT-LR – Low Capacity, 200 PSIG
- TSBT-MR – Medium Capacity, 400 PSIG
- TSBT-HR – High Capacity, 650 PSIG

UMT CONNECTION, REPAIRABLE

- USBT-LR – Low Capacity, 200 PSIG
- USBT-MR – Medium Capacity, 400 PSIG
- USBT-HR – High Capacity, 650 PSIG

UMT CONNECTOR BLOCKS

- UMTC—Standard connector (1/2" & 3/4" only)
- UMTCY-RH—Right Hand Connector w/Y strainer*
- UMTCY-LH—Left Hand Connector w/Y strainer*
- UMTVS-BB—Connector with Isolation Valves, Strainer, Blowdown Valve and Test Port

OPERATION

After trap is installed and primed, steam entering the trap collects in the top of the bucket, floating the bucket and forcing the valve into its seat. As condensate begins to flow into the trap, steam and air are forced from the bucket. This causes the bucket to begin losing buoyancy, tending to pull the valve from its seat. When enough condensate has

entered the trap, displacing the steam and air, the bucket drops, pulling the valve from the seat and allowing condensate and air to discharge. As the flow of condensate stops, steam enters the trap and re-floats the bucket, forcing the valve into its seat. The cycle then repeats as more condensate reaches the trap.

REPAIRABLE STAINLESS STEEL DURA-FLO INVERTED BUCKET STEAM TRAPS

SPECIFICATION

Furnish and install as shown on the plans, inverted bucket traps capable of discharging condensate, air and other non-condensable gases without loss of steam. These traps shall have a stainless steel sealed body, hardened chrome steel valve and seat and an all stainless steel linkage and bucket. It shall also have a universal mount connection option. The repairable traps shall have a removable cover to allow repair or orifice change.

MAXIMUM OPERATING CONDITIONS

PMO: Max. Operating Pressure See Orifice Selection
 TMO: Max. Operating Temperature Saturated at PMO
 PMA: Max. Allowable Pressure -
 LR 200 psig (13.8 barg) at 450°F (232°C)
 MR 420 psig (29.0 barg) at 450°F (232°C)
 HR 650 psig (44.8 barg) at 497°F (258°C)
 TMA: Max. Allowable Temperature 800°F (425°C)

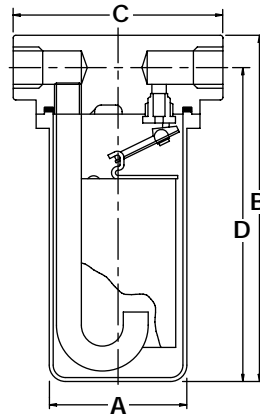
MATERIALS OF CONSTRUCTION

BodyASTM A351 CF8
 CoverASTM A351 CF8
 Bucket.....AISI 304 SS
 Bucket Clip.....AISI 304 SS
 LeverAISI 304 SS
 Inlet TubeAISI 304 SS
 ValveHardened Chrome Steel AISI D3
 Valve SeatHardened Chrome Steel AISI D3
 Swivel ConnectorAISI 304 SS
 Cover GasketSpiral Wound 304 SS with Grafoil

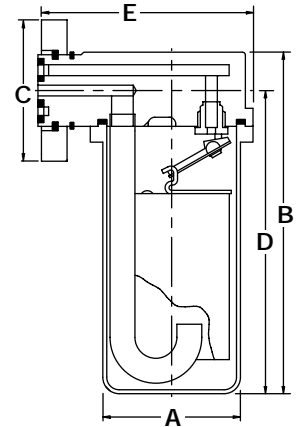
Maximum Capacity—(lbs/hr)

Trap	Orifice		Differential Pressure													
			5 10 15 30 40 70 80 125 200 250 300 400 650													
			Size	MOP	(0.34)	(0.69)	(1.03)	(2.07)	(2.76)	(4.83)	(5.52)	(8.62)	(13.79)	(17.24)	(20.69)	(27.59)
TSBT-LR, USBT-LR	3/32	200	85	120	145	200	230	300	325	400	500					
TSBT-MR, USBT-MR	1/4	15	800	920	1040											
	3/16	30	540	690	800	1000										
	5/32	70	390	490	560	700	790	940								
	1/8	125	260	325	400	530	600	750	800	970						
	7/64	200	200	265	315	410	470	580	610	720	900					
	3/32	250	155	200	240	315	360	440	480	560	690	750				
TSBT - HR USBT-HR	5/64	400	100	130	155	210	235	280	310	360	440	460	510	580		
	1/4	40	1040	1350	1580	2000	2350									
	3/16	80	680	930	1120	1550	1775	2400	2300							
	1/8	250	320	42	510	700	790	1020	1090	1300	1650	1800				
	7/64	300	220	280	325	430	500	630	685	800	1000	1100	1200			
	3/32	650	175	225	270	370	400	510	540	650	800	870	930	1050	1300	

For Kg/Hr Multiply by .454



TSBT REPAIRABLE SERIES



USBT REPAIRABLE SERIES

Connections: 3/8" - 1" NPT

DIMENSIONS inches (mm)
AND WEIGHTS pounds (kg)

Model	Inches (mm)				Weight lbs(kg)
	A	B	C	D	
TSBT-LR	2 5/8 (73)	6 1/4 (159)	4 7/8 (110)	5 5/8 (141)	6.6 (3.0)
TSBT-MR	2 5/8 (73)	7 1/4 (184)	4 7/8 (110)	6 1/8 (166)	7.2 (3.2)
TSBT-HR	4 1/8 (104.8)	9 1/2 (241.3)	5 (127)	8 1/2 (215.9)	22 (10)

Connections:
Universal Mount Two Bolt Swivel Connection

DIMENSIONS inches (mm) AND WEIGHTS pounds (kg)

Model	Inches (mm)					Weight lbs(kg)
	A	B	C	D	E	
USBT-LR	2 1/2 (73)	6 3/8 (161)	2 3/4 (70)	5 1/2 (143)	4 1/4 (108)	7.25 (3.3)
USBT-MR	2 1/2 (73)	7 3/8 (186)	2 3/4 (70)	6 1/8 (168)	4 1/4 (108)	8 (3.6)
USBT-HR	4 1/8 (104.8)	9 3/4 (247.7)	2 3/4 (70)	8 3/4 (222.3)	6 1/4 (158.8)	25 (11.33)

LIQUIDATOR UMT-TD Series Thermodynamic Steam Trap

Applications

- Unit Heaters
- Steam Tracing
- Drip Legs
- Tire Presses
- Laundry Equipment
- Plating Tanks
- Platen Presses
- Cooking Equipment

Pressures To 450 PSIG
Temperatures to 650°F

Easily Maintained

Four bolt cover permits easy in-line rebuilding for less than the cost of replacement.

Optional Integral Strainer

Helps prevent dirt and scale build-up on valve seat.

Excellent Energy Savings

Positive shutoff assures no loss of steam during normal operation.

Fits all Universal Connectors

Liquidator body will replace any manufacturers' universal mount trap body.

Easily Replaced

Two bolt design permits rapid removal without breaking pipe connections.

Freeze Proof

Self draining when installed vertically.

Durability and Long Service Life

Stainless steel body and cover with stainless steel Celtron® Cartridge for maximum corrosion, thermal and hydraulic shock resistance.

Unaffected by Ambient Conditions

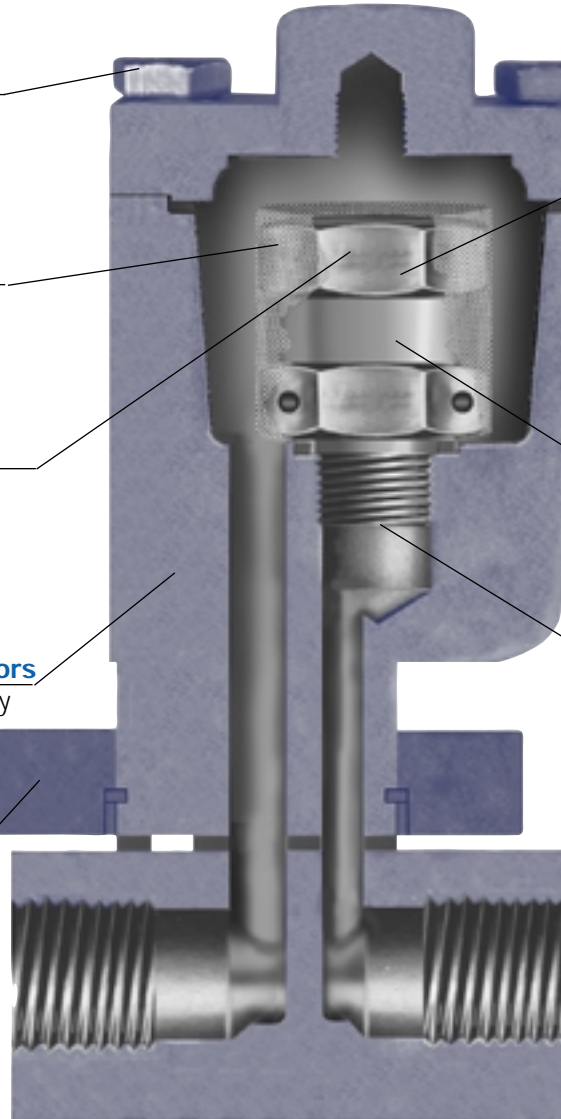
Steam jacketing minimizes steam loss.

Blast Discharge

Clears away dirt and scale.

3 Year Guarantee

Guaranteed against defects in material and workmanship.



THERMODYNAMIC STEAM TRAPS

NICHOLSON has a wide variety of Thermodynamic Steam Traps to accommodate applications through 600 psi. Most models utilize **NICHOLSON**'s exclusive Celtron® Cartridge. The Celtron® facilitates inline maintenance while simultaneously providing superior performance. The all-stainless NTD 600 is the value leader of the line, providing the performance **NICHOLSON** users have come to expect in a conventional, recognizable design.



NTD600 SERIES THERMODYNAMIC STEAM TRAPS

Pressures To 600 PSIG (41.3 barg)
Temperatures to 800°F (426°C)

Compact Design — Hardened stainless steel disc is the only moving part.

Inexpensive — Low initial cost is less expensive than repairable technologies.

Simplifies Installation — Works in any position.

Rugged — Handles water hammer and superheat.

Reliable, Efficient Operation — Blast discharge helps to eliminate dirt buildup and provides tight shutoff

Freeze resistant — Self draining design prevents freezing.

All Stainless Steel Construction — Resists both internal and external corrosion.

Easy to Monitor — Audible discharge cycle makes checking operation simple.

MODELS

- **NTD600**—Thermodynamic Disc Trap
- **NTD600S**—NTD600 with integral strainer
- **NTD600B**—NTD600S with blowdown valve

APPLICATIONS

- Steam Tracing
- Drips
- Heating

NTD600 Model Only:
Canadian Registration # OE0591.9C

Installation Tip: Always install STV Test & Block Valve as part of trap station
SEE PAGE 118

Installation Tip: Add Uniflex Pipe Coupling for ease of maintenance
SEE PAGE 102

OPERATION

Incoming air and condensate flow through the trap body and into the control chamber. Line pressure raises the disc off the seat allowing complete discharge. When flashing condensate enters the cartridge, flow velocity increases, creating low pressure underneath the disc. Flashing condensate at high velocity strikes the inside wall of the disc chamber and is deflected

to the top of the disc causing a pressure buildup. The disc is forced down onto the seat by this pressure imbalance. The trap remains closed as flashed vapor in the control chamber keeps the disc seated. Pressure inside the cap is not lowered until the trapped flash vapor condenses due to body radiation. Condensing steam lowers the pressure above the disc. Disc is then lifted and the cycle repeated.

NTD600 SERIES THERMODYNAMIC STEAM TRAPS

SPECIFICATION

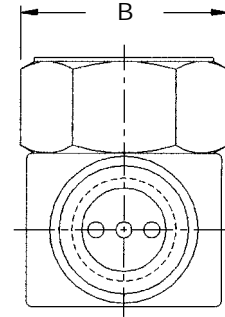
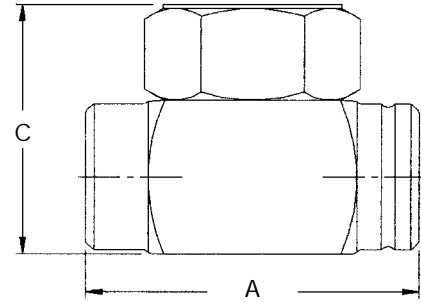
Steam trap shall be of thermodynamic design. Body shall be of all stainless construction and hardened throughout. Seat shall be integral to body. Cover shall seal to body without gaskets or seals. Trap shall be suitable for pressures through 600 psi and available in 3/8" through 1".

MAXIMUM OPERATING CONDITIONS

PMO: Max. Operating Pressure	600 psig	(41.3 barg)
TMO: Max. Operating Temperature	800°F	(426°C)
PMA: Max. Allowable Pressure	600 psig	(41.3 barg)
TMA: Max. Allowable Temperature	800°F	(426°F)

MATERIALS OF CONSTRUCTION

Body	420F SS ASTM A743 CA40F
Cap & Disc	416 SS ASTM A582
Blow Down Valve	304/316SS
Screen	Stainless Steel



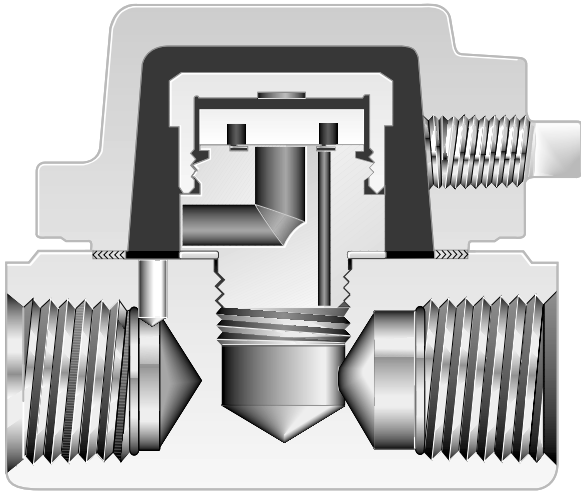
Connections: 3/8" - 1" NPT

Size	Dimensions in inches (mm)			Weight in Lbs. (kg)
	A	B	C	
3/8"	2 (51)	1 3/4 (44)	1 3/4 (44)	.8 (.36)
1/2"	2 11/16 (68)	1 3/4 (44)	2 (51)	1.2 (.55)
3/4"	2 13/16 (71)	2 5/16 (59)	2 7/16 (62)	1.85 (.86)
1"	3 5/16 (84)	2 1/2 (64)	2 7/8 (73)	3.1 (1.8)

Maximum Capacity—lbs/hr 10°F Below Saturation														
NPT Connection	Differential PSIG (barg)													
	3.5 (0.24)	5 (0.34)	10 (0.7)	20 (1.4)	30 (2.1)	50 (3.4)	75 (5.2)	100 (6.9)	150 (10.3)	200 (13.8)	300 (20.7)	400 (27.6)	500 (34.5)	600 (41.3)
3/8"	180	185	190	200	215	245	305	370	500	610	790	960	1100	1250
1/2"	300	310	345	410	465	575	700	810	1000	1140	1410	1630	1830	2000
3/4"	405	420	470	560	640	810	1000	1160	1450	1670	2100	2430	2750	3050
1"	640	670	725	865	980	1200	1470	1750	2200	2600	3250	3780	4250	4700

For Kg/Hr Multiply by .454

NOTE: The NTD600 Series works efficiently at all line pressures between 5+600 psi and back pressures up to 80% of line pressures.



Shown with optional
tapped blowdown connection.

APPLICATIONS

- Steam Tracing
- Drips
- Heating

OPTIONS

- SW - Socketweld Connections
- TB - Tapped Blowdown Connection
- B - Blowdown Valve

Canadian Registration # 0E0591.9

S610 SERIES THERMODYNAMIC STEAM TRAP

Pressures To 600 PSIG (41.3 barg)
Temperatures to 800°F (426°C)

Improved Energy Savings — Lowers steam waste due to steam jacketing. Trap cycle is unaffected by ambient temperatures or precipitation.

Extended Trap Life — Integral strainer keeps disc and seat clean. Non-violent discharge reduces wear. Heavy disc prevents warpage and improves performance.

Easily Maintained — Completely renewable without disturbing piping connections by removing cover, unscrewing and replacing Celtron® cartridge. Celtron® replacement cartridges are packaged individually with cover and gaskets in a protective bag.

Freeze Proof — When mounted vertically or on its side horizontally.

Multi-functional — Integral check valve eliminates need for additional fittings.

Economical — First cost and maintenance cost are low.

Spiral-wound Cover Gasket — assures positive closure.

Integral Strainer — prevents dirt problems.

MODELS

- S610—3/8" & 1/2" standard capacity
- S610L—Low capacity on S610

Celtron®

plastic-packed
replaceable cartridge
for fast and simple
replacement



OPERATION

Incoming air and condensate flow through the trap body and into the Celtron® cartridge. Line pressure raises the disc off the seat allowing complete discharge. When flashing condensate enters the cartridge, flow velocity increases, creating low pressure underneath the disc. Flashing condensate at high velocity strikes the inside wall of the disc chamber and is deflected

to the top of the disc causing a pressure buildup. The disc is forced down onto the seat by this pressure imbalance. The trap remains closed as steam in the jacket prevents exposure of the Celtron® cartridge to ambient temperatures. Pressure inside the cap is not lowered until the trapped flash vapor condenses. Condensing steam lowers the pressure above the disc. Disc is then lifted and the cycle repeated.

S610 SERIES THERMODYNAMIC STEAM TRAP

SPECIFICATION

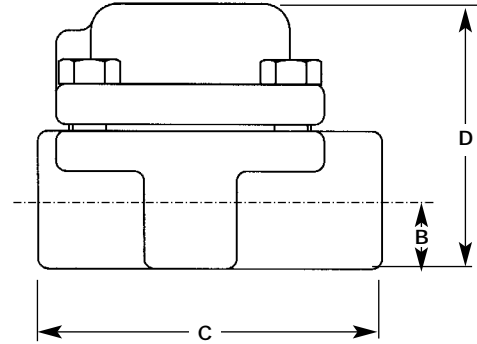
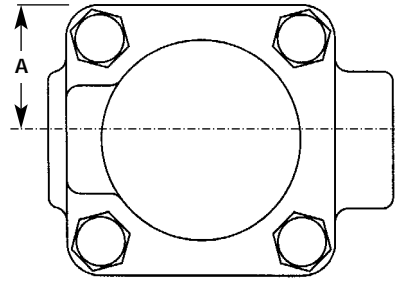
Steam trap shall be of thermodynamic cartridge design. Body shall be of forged carbon steel construction housing stainless steel Celtron cartridge. Celtron cartridge shall contain all working components. Cartridge shall be hardened throughout. Seat shall be stress relieved to eliminate warpage. Trap shall contain integral strainer with available blowdown port and valve. Cover shall seal to body utilizing spiral wound graphite gasket. Trap shall be suitable for pressures through 600 psi and available in 3/8" through 1/2".

MAXIMUM OPERATING CONDITIONS

PMO: Max. Operating Pressure 600 psig (41.3 barg)
 TMO: Max. Operating Temperature 800°F (426°C)
 PMA: Max. Allowable Pressure 650 psig (44.8 barg)
 TMA: Max. Allowable Temperature 800°F (426°C)

MATERIALS OF CONSTRUCTION

Body & Cover:ASTM A105 Forged Steel
 Celtron® Cartridge416 SS w/Hardened Disc & Seat
 Cover Gasket304 SS Spiral Wound w/Graphite Fill
 Bolts:High Temperature Alloy
 Integral Strainer:304 Stainless Steel



Connections:
3/8"-1/2" NPT or Socketweld

Dimensions in inches (mm)					Weight in Lbs. (kg).
Size	A	B	C	D	
3/8" - 1/2"	1 ¹⁷ / ₆₄ (32)	2 ¹ / ₃₂ (17)	3 ¹ / ₄ (83)	2 ¹⁵ / ₃₂ (63)	2.3 lbs (1.05)

Maximum Capacity—lbs/hr 10°F Below Saturation											
NPT Threaded or Socketweld Connections	Trap	Differential - PSIG (barg)									
		5 (0.34)	10 (0.7)	25 (1.7)	50 (3.4)	75 (5.2)	100 (6.9)	200 (13.8)	300 (20.7)	400 (27.6)	600 (41.3)
3/8" - 1/2"	S610L	105	150	235	330	395	435	550	630	690	790
3/8" - 1/2"	S610	240	265	420	590	700	770	980	1120	1240	1400

For Kg/Hr Multiply by .454

The S610 Series trap works efficiently at all line pressures between 5 and 600 psi and back pressures to 80% of line pressure.



Shown with optional blowdown valve

APPLICATIONS

- Steam Tracing
- Drips
- Heating

OPTIONS

- B - Blowdown Valve
- SW - Socketweld Connections

Canadian Registration # 0E0591.9

S650 SERIES THERMO-ACTIVE STEAM TRAP

Pressures To 600 PSIG (41.3 barg)
Temperatures to 800°F (427°C)

Space Saving — Design incorporates a built-in strainer and optional blowdown valve. Eliminates four connections and four fittings.

Improved Energy Savings — Lowers steam waste due to steam jacketing. Trap cycling is unaffected by ambient temperatures.

Non-violent Discharge — Soft discharge which is unique in a steam trap of this type.

Easily Maintained — Completely renewable without disturbing piping connections by removing cover, unscrewing and replacing Celtron® cartridge. Celtron® replacement cartridges are packaged individually with cover and gaskets in a protective bag. Optional blowdown valve permits easy strainer cleaning while in service.

Freeze Proof — When mounted vertically or on its side horizontally.

Low in Cost — Purchase and maintenance costs are low.

Models

- **S650**—Y pattern body with screen and blowdown port tapped and plugged
- **S650L**—Low capacity on S650

Celtron®

plastic-packed
replaceable cartridge
for fast and simple
replacement



OPERATION

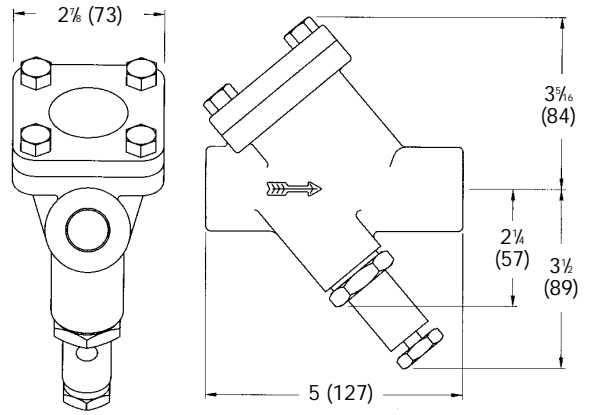
Incoming air and condensate flow through the trap body and into the Celtron® cartridge. Line pressure raises the disc off the seat allowing complete discharge. When flashing condensate enters the cartridge, flow velocity increases, creating low pressure underneath the disc. Flashing condensate at high velocity strikes the inside wall of the disc chamber and is deflected

to the top of the disc causing a pressure buildup. The disc is forced down onto the seat by this pressure imbalance. The trap remains closed as steam in the jacket prevents exposure of the Celtron® cartridge to ambient temperatures. Pressure inside the cap is not lowered until the trapped flash vapor condenses. Condensing steam lowers the pressure above the disc. Disc is then lifted and the cycle repeated.

S650 SERIES THERMO-ACTIVE STEAM TRAP

SPECIFICATION

Steam trap shall be of thermodynamic cartridge design. Body shall be of forged carbon steel construction housing stainless steel Celtron cartridge. Celtron cartridge shall contain all working components. Cartridge shall be hardened throughout. Seat shall be stress relieved to eliminate warpage. Trap shall contain integral Y pattern strainer with available blowdown valve. Cover shall seal to body utilizing spiral wound graphite gasket. Trap shall be suitable for pressures through 600 psi and available in 1/2"-3/4" NPT.



**DIMENSIONS IN INCHES (MM)
SHOWN WITH OPTIONAL BLOWDOWN VALVE
WEIGHT: 5 LBS. (2.3 KG)**

Connections:
1/2" or 3/4" NPT or socketweld

MAXIMUM OPERATING CONDITIONS

PMO: Max. Operating Pressure 600 psig (41.3 barg)
 TMO: Max. Operating Temperature 800°F (426°C)
 PMA: Max. Allowable Pressure 650 psig (44.8 barg)
 TMA: Max. Allowable Temperature 800°F (426°C)

MATERIALS OF CONSTRUCTION

Body & CoverASTM A105 Forged Steel
 Celtron® Cartridge416 SS w/Hardened Disc & Seat
 Cover Gasket304 SS Spiral Wound w/Graphite Fill
 Strainer033 perf. 304 Stainless Steel
 Blowdown Valve416 Stainless Steel

Maximum Capacity—lbs/hr 10°F Below Saturation (Kg/hr 5°C Below Saturation)										
Trap	Differential PSIG (barg)									
	5 (0.34)	10 (0.7)	25 (1.7)	50 (3.5)	75 (5.2)	100 (6.9)	200 (13.8)	300 (20.7)	400 (27.6)	600 (41.3)
S650L	105	150	235	330	395	435	550	630	690	790
S650	240	265	420	590	700	770	980	1120	1240	1400

For Kg/Hr Multiply by .454

LIQUIDATOR UMT-TD

UNIVERSAL MOUNT

THERMODYNAMIC STEAM TRAPS

Pressures To 450 PSIG (31 barg)
Temperatures to 650°F (343°C)



UMT-TD SERIES TRAP AND UMTC CONNECTOR

APPLICATIONS

- Steam Tracing
- Drips
- Light Process

OPTIONS

- SW - Socketweld Connections
- B - Blowdown Valve

Canadian Registration # 0E13886

For information on Big Block UMTVS-BB Connector
SEE PAGE 116

Celtron®
plastic-packed
replaceable cartridge
for fast and simple
replacement



OPERATION

Incoming air and condensate flow through the trap body and into the Celtron® cartridge. Line pressure raises the disc off the seat allowing complete discharge. When flashing condensate enters the cartridge, flow velocity increases, creating low pressure underneath the disc. Flashing condensate at high velocity strikes the inside wall of the disc chamber and is

Easily Maintained — Universal two bolt swivel mounting simplifies removal from system. Kits allow flexibility to replace or rebuild.

Simple Installation — Stainless mounting block mounts permanently into system. Trap installs via two bolt universal connection.

Improved Energy Savings — Lowers steam waste due to steam jacketing. Trap cycle is unaffected by ambient temperatures or precipitation.

Extended Trap Life — Integral strainer keeps disc and seat clean. Non-violent discharge reduces wear. Heavy disc prevents warpage and improves performance.

Easily Maintained — Completely renewable without disturbing piping connections by removing cover, unscrewing and replacing Celtron® cartridge. Celtron® replacement cartridges are packaged individually with cover and gaskets in a protective bag.

Freeze Proof — When mounted vertically or on its side horizontally.

Multi-functional — Integral check valve eliminates need for additional fittings.

Economical — First cost and maintenance cost are low.

MODELS

- UMT-TD10L—Low Capacity Trap
- UMT-TD10—Standard Capacity Trap
- UMTC—Standard connector (1/2" & 3/4" only)
- UMTCY—Connector w/Y strainer
- UMTCYR—Right Hand Connector w/Y strainer
- UMTCYL—Left Hand Connector w/Y strainer
- UMTVS-BB—Connector with Isolation Valves, Strainer, Blowdown Valve and Test Port

For complete unit, order trap and connector as separate items.

deflected to the top of the disc causing a pressure buildup. The disc is forced down onto the seat by this pressure imbalance. The trap remains closed as steam in the jacket prevents exposure of the Celtron® cartridge to ambient temperatures. Pressure inside the cap is not lowered until the trapped flash vapor condenses. Condensing steam lowers the pressure above the disc. Disc is then lifted and the cycle repeated.

LIQUIDATOR UMT-TD

UNIVERSAL MOUNT

THERMODYNAMIC STEAM TRAPS

SPECIFICATION

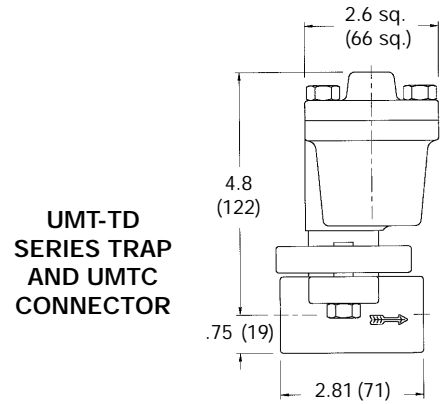
Steam trap shall be of a thermodynamic capsule design. The body shall be of a 304 stainless steel 2 bolt universal swivel construction with a stainless steel in line renewable Celtron capsule. Celtron capsule shall contain all working components. Capsule shall be hardened throughout. Seat shall be stress relieved to eliminate warping. Trap shall seal to body with spiral wound graphite gaskets. Trap shall be suitable for pressures through 450 psi and available in 1/2" through 1" NPT or socketweld connections.

MAXIMUM OPERATING CONDITIONS

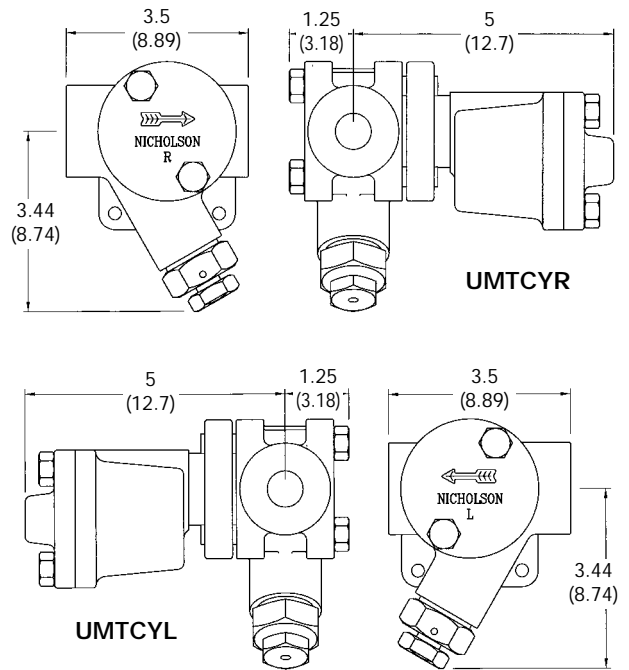
PMO: Max. Operating Pressure	450 psig	(31 barg)
TMO Max. Operating Temperature	650°F	(343°C)
PMA: Max. Allowable Pressure	450 psig	(31 barg)
TMA: Max. Allowable Temperature	650°F	(343°C)

MATERIALS OF CONSTRUCTION

Body & Cover:ASTM A351 Grade CF8 (304)
 Cover Gasket:304 stainless spiral wound w/graphite fill
 Celtron® Cartridge:416 Stainless Steel w/hardened disc & seat
 Strainer:(.033 perf.) 304 Stainless Steel
 Mounting Block:ASTM A351 Grade CF8 (304)



Connections:
 1/2", 3/4" or 1" NPT or socketweld



DIMENSIONS - INCHES (MM)
WEIGHT
 TRAP - 3.2 LBS. (1.4 KG)
 STD. MOUNTING BLOCK - 1.1 LBS. (0.5 KG)
 Y STRAINER MOUNTING BLOCK - 2.3 LBS. (1.0 KG)

Maximum Capacity—lbs/hr 10°F Below Saturation										
Trap	Differential – PSIG (barg)									
	5 (0.34)	10 (0.7)	25 (1.7)	50 (3.4)	75 (5.2)	100 (6.9)	200 (13.8)	300 (20.7)	400 (27.6)	450 (31)
UMT-TD10L	105	150	235	330	395	435	550	630	690	715
UMT-TD10	240	265	420	590	700	770	980	1120	1240	1280

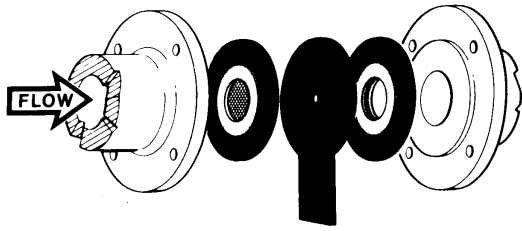
For Kg/Hr Multiply by .454

The UMT-TD Series trap works efficiently at all line pressures between 5 and 450 psi and back pressures to 80% of line pressure.

NOTES:

ORIFICE STEAM TRAPS

NICHOLSON is an industry leader in orifice technology for condensate removal. The **NICHOLSON** technology (developed in conjunction with the US Navy in the 1970's) has provided nuclear and conventional vessels with safe, efficient condensate removal for more than a quarter century. This technology, adapted to commercial and industrial applications, provides consistent condensate removal via virtually maintenance free devices. These products, with life spans exceeding 10 years, further the **NICHOLSON** reputation for providing high performance products at competitive prices.



TYPE DFA DRAIN ORIFICE STEAM TRAP

Pressures To 2500 PSIG (172 barg)
Temperatures to 750°F (400°C)

APPLICATIONS

- Pressure Reduction
- Ratio of Flow-mixing two or more fluids at fixed ratio
- Fixed Flow-i.e. gland seal recirculation of cooling water on pumps, compressors, process analyzers, etc.
- Intermittent Drainage-i.e. air tools, air storage tanks, cleaning fixtures, air vents, etc.
- Cryogenic Storage Venting
- Low Pressure Blanking
- Sampling of process fluids at a fixed flow rate for use with Instrument Analyzers

Canadian Registration # 0E0591.9

MAINTENANCE BENEFITS

- Typical service life exceeds 10 years.
- Zero maintenance costs over the service life of the Orifice.
- No moving parts offers maintenance free operation when properly installed.
- Low spare parts inventory.
- Easy to install.

ENERGY SAVING BENEFITS

- Design factor results in reduced initial steam loss.
- Fuel savings to 50% achieved in applications during past 10 years.
- Maintains low rate of steam loss over entire service life.
- Cannot fail open, eliminating large steam losses.

OPERATING BENEFITS

- Accommodates varying condensate loads created by modulating pressures.
- Freeze proof.
- Resists thermal and hydraulic shock.
- Reduces make-up water to boiler and water chemical treatment costs.
- Maintains constant pressure to condensate return systems.
- Meets dimensional requirements of MS 18301 Specifications.

MODELS

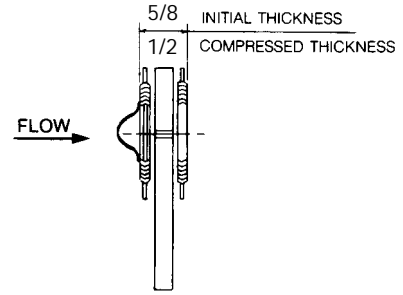
- DFA-Drain Orifice Trap with gaskets and inlet screen.
- DFR-Replacement gasket kit including inlet screen.

OPERATION

The Nicholson Drain Orifice Trap is an engineered, continuous flow device. The controlling element in the Drain Orifice Assembly is a flat S.S. plate, 1/4" thick. Drain Orifices discharge air, condensate and all other non-condensable gases with minimal live steam loss. The fixed orifice size is calculated, for a given application, to discharge the condensate load at a maximum thermal efficiency. Approximately 10-25% of discharging hot condensate flashes to steam at the downstream side of the orifice, at a constant pressure drop. This flashing effect further restricts the flow of

saturated steam. In actual conditions, a minimum percentage of steam, by weight, is discharged with condensate, since the specific volume of steam is large compared to that of the condensate. The velocity through the orifice is highly turbulent. The initial calculated steam loss can be expected to remain relatively constant over the expected 10+ years trap life. The major factor for energy efficient performance is based on initial orifice sizing for the application. Properly sized, thermal efficiencies of 98%+ can be attained. The Drain Orifice Trap is ideally suited for use on high pressure steam (saturated or superheated) from 600 PSIG to 2500 PSIG with minimum steam loss, zero maintenance and long service life.

TYPE DFA DRAIN ORIFICE STEAM TRAP SPECIFICATION



Connections: 1/2" – 2" Wafer Style
ANSI 150#, 600#, 1500# & 2500#

Orifice Drain shall comply with dimensional requirements of MILSPEC MS 18301 and consist of 1/4" 304 stainless orifice plate fixed between user supplied flanges. It shall be sealed by spiral wound gaskets. Inlet gasket shall be modified with a stainless steel mesh strainer affixed across the inside diameter. Orifice shall be sized for the application to a minimum of 0.020".

MAXIMUM OPERATING CONDITIONS

PMO: Max. Operating Pressure 2500 psig (172 barg)
 TMO: Max. Operating Temperature 750°F (400°C)
 PMA: Max. Allowable Pressure 2500 psig (172 barg)
 TMA: Max. Allowable Temperature 750°F (400°C)

MATERIALS OF CONSTRUCTION

Inlet GasketSpiral-wound 347 S.S./Graphite
w/S.S. 60 mesh dome strainer insert
 Orifice Plate304 S.S., 1/4" thick
 Outlet GasketSpiral-wound 347 S.S./Graphite
 Customer to supply ANSI B16.5 flanges.

SIZING*

Consult Factory–required information:
 Condensate Load _____
 Inlet Pressure _____
 Outlet Pressure _____
 Elevation of return line over trap (if any) _____

* Specify orifice size when ordering .

Dimensions		
Pipe Size NPT	Min. Pipe Bore (in.)*	Min. Orifice
1/2"	9/16	.020
3/4"	3/4	.020
1"	7/8	.020
1 1/4"	N/A	.020
1 1/2"	N/A	.020
2"	N/A	.020

* Dome strainer used for sizes up to 1".
 Flat strainer used for larger sizes.

TYPE DUA ORIFICE UNION ASSEMBLY



**Pressures To 3000 PSIG (207 barg)
Temperatures to 850°F (454°C)**

APPLICATIONS

- Condensate Removal
- Pressure Reduction
- Ratio of Flow-mixing two or more fluids at fixed ratio
- Fixed Flow-i.e. gland seal recirculation of cooling water on pumps, compressors, process analyzers, etc.
- Intermittent Drainage-i.e. air tools, air storage tanks, cleaning fixtures, air vents, etc.
- Cryogenic Storage Venting
- Low Pressure Blanking
- Sampling of process fluids at a fixed flow rate for use with Instrument Analyzers

OPTION

- SW - Socketweld

Canadian Registration # 0E0591.9

Reliable Operation — High reliability labyrinth-type seal: leak tight seal is maintained when subjected to expansion or contraction due to temperature or pressure changes in the line. Positive, leak-tight seal eliminates loss of product.

Ease of Installation — No danger of damaging seats or losing seal by overtorquing during installation. Requires normal torque to obtain a leak-tight seal. Welding repairs reduced; no need to replace union components welded to pipe.

Low Cost Maintenance — Downtime, labor and material costs drastically reduced. Service is required only when the union is disassembled, then only a change of gaskets is required to put it back in service. Eliminates the need to replace the union housing.

Flexibility — Orifice easily replaced where a different orifice size is required for a specific application. Orifice can be redrilled to a larger size, if necessary, eliminating need to replace the entire assembly. Infinite range of orifice sizes available from a minimum 0.020" diameter.

MODELS

- **DUA**—Orifice Union
- **RUA**—Orifice Kit includes 2 gaskets, orifice plate and inlet screen.
- **DUR**—Gasket Kit includes 2 gaskets and inlet screen.
- **SUG**—Gasket Kit includes 10 gaskets.

OPERATION

The Nicholson Drain Orifice Trap is an engineered, continuous flow device. The controlling element in the Drain Orifice Assembly is a flat S.S. plate, 1/4" thick. Drain Orifices discharge air, condensate and all other non-condensable gases with minimal live steam loss. The fixed orifice size is calculated, for a given application, to discharge the condensate load at a maximum thermal efficiency. Approximately 10-25% of discharging hot condensate flashes to steam at the downstream side of the orifice, at a constant pressure drop. This flashing effect further restricts the flow of

saturated steam. In actual conditions, a minimum percentage of steam, by weight, is discharged with condensate, since the specific volume of steam is large compared to that of the condensate. The velocity through the orifice is highly turbulent. The initial calculated steam loss can be expected to remain relatively constant over the expected 10+ years trap life. The major factor for energy efficient performance is based on initial orifice sizing for the application. Properly sized, thermal efficiencies of 98%+ can be attained. The Drain Orifice Trap is ideally suited for use on high pressure steam (saturated or superheated) from 300 PSIG to 3000 PSIG with minimum steam loss, zero maintenance and long service life.

NOTES:

CLEAN STEAM PRODUCTS

Clean Steam is high purity steam that is sterile and pyrogen free. It is used by hospitals and research institutions as well as in the Pharmaceutical, Biotechnical, Electronics, Food and Cosmetics Industries.

NICHOLSON has become an innovator in Clean Steam applications through extensive research and development, working closely with major engineering firms in the pharmaceutical and biotechnical industries throughout the United States. From revolutionary new designs such as the CDH Series to the value oriented DS100 Series, **NICHOLSON** innovations set the standard for Clean Steam management.

CLEAN STEAM PRODUCTS

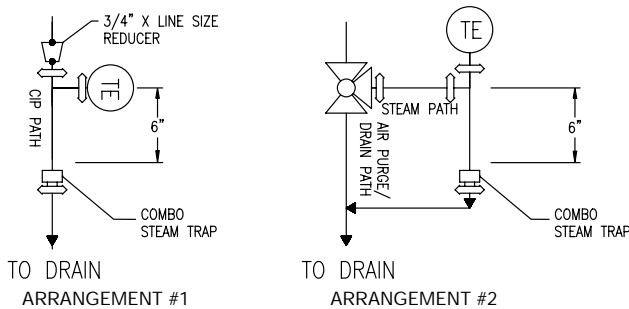
Steam-in-place sterilization (SIP) systems for vessels and associated piping are highly engineered systems. There are several different arrangements used by the Biotech Industry to purge air, heat-up the vessel and maintain a steam temperature of 121°C for a minimum of 15 minutes. Typically clean steam is introduced to the top of the vessel and exits through feed lines, vent lines and drain lines. Air, steam and condensate typically flow through a three-way valve (Piping Diagram) located at the remote end of each pipeline. During this heat up stage the peak condensate loads shown in the table below are encountered. When the vessel is heated to 95°C, the air is considered to be sufficiently purged and the three-way valve switches over to the Nicholson Model CME-A "CoMBo" Steam Trap. Once the temperature reaches the desired 121°C, tank heat losses are minimal and the steady condensate maintenance load shown in the table below are maintained.

PEAK CONDENSATE LOADS

Tank Volume (Liter)	Peak Condensate heat-up Load lb/hr (kg/hr)	Condensate Maintenance Load lb/hr (kg/hr)
40000	2500 (1134)	27 (12)
15000	1250 (567)	14 (6)
7200	400 (181)	7 (3)
3000	300 (136)	5 (2)
1500	200 (91)	3 (1.4)
600	100 (45)	2 (.9)
100	30 (14)	1 (.4)
20	15 (7)	0.5 (.2)

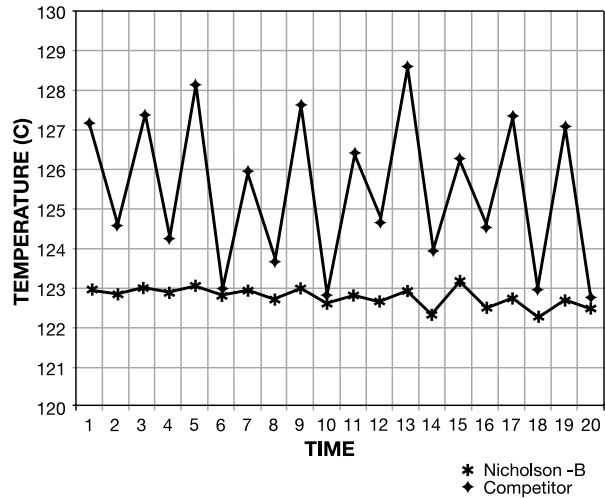
The high capacity of the CME-A makes it an excellent choice when a 3-way valve is not utilized. The Nicholson model CME-A can be used to pass Clean-In-Place Return (CIPR) as shown in the CME-A Piping Diagram. The Nicholson CME-A can pass 3608 #/Hr (1636 kg/hr) of 80°C condensate at 20 psi (1.4 bar) which exceeds the design peak condensate load of 2500#/Hr (1134 kg/hr) for all tank volumes shown above. The requirement to use multiple steam traps or a 3-way valve on the bottom of a sterilization tank depends on the time required to purge the air and condensate during the air purge cycle. The ball valve allows a faster purging of the condensate, but increases the sterilization time since it slows pressure build-up if steam is vented.

PIPING DIAGRAMS



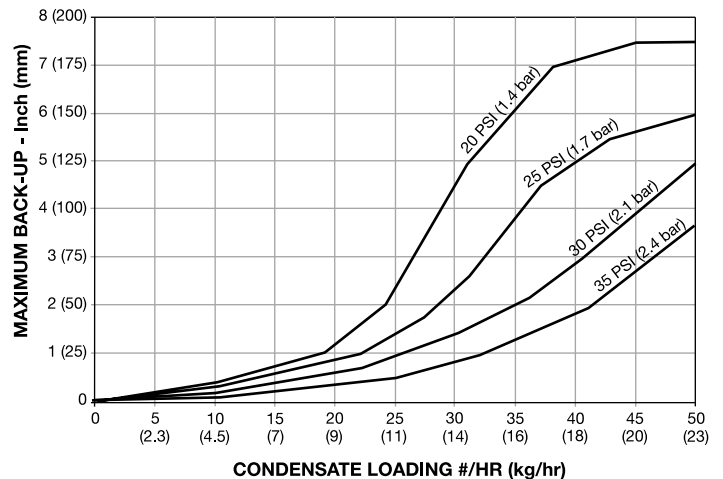
Thermostatic steam traps operate based on the difference in temperature of the condensate and the steam. The Nicholson Model CDS 204 steam trap, with the -B bellows is the most sensitive in the market 1°C (2-3°F) sub-cool. This means that SIP system temperatures can be set lower and control limits are tighter as shown in the graph below. This lower temperature reduces rouging and extends the life of components.

CoMBo TEMPERATURE CONTROL



Extensive testing with the CME-A CoMBo has shown that the condensate backup varies with the steam pressure and condensate load as shown in the chart below. High sensitivity in combination with the industry's highest capacity, means a minimum condensate leg is required above the trap to achieve the required cooling. The CoMBo maintains condensate below the temperature thermocouple for loads ranging from 1 to 27 lb/hr (0.4-12 kg/hr) which are encountered during SIP maintenance of vessels ranging from 20 liters to 40,000 liters respectively.

CoMBo BACKUP TESTING





CME-A

CME-W25
VERTICAL
WELL

CONDENSATE MEASURING ELBOW

APPLICATIONS

- CIP/SIP System Condensate Drainage
- Sterilization of Process Vessels
- Culinary Steam
- Humidifiers
- WFI System Sterilization
- Fermenter Sterilization

MODELS

- CME-A - Direct Immersion RTD
- CME-W25 - Well Installation RTD

OPTIONS

- MP - Mechanical Polish to 10 μ in. Ra
- EP - Electropolish
- SLR - SLR Orifice
- Tef-Steel, PTFE, Teflon®, E.P.D.M., USP Class VI & other gasket materials also available
- Horizontal or vertical inlet flow
- Horizontal or vertical well
- CME-A Direct immersion hygienic clamp RTD supplied by customer
- CME-W25 Well installation NPT RTD supplied by customer

APPLICABLE CODES

- ASME BPE

NOTE: Please specify if Material Test Reports (MTR) or Certificates of Conformance (COC) are required.

OPERATION

Thermal actuator is filled at its free length with a liquid having a lower boiling point than water. On start-up, valve is normally open to discharge air, non-condensibles and condensate. When steam enters trap, thermal actuator fill vaporizes to a pressure higher than line pressure. This forces valve into seat orifice to prevent any further flow.

CoMBo CONDENSATE MEASURING ELBOW THERMOSTATIC STEAM TRAP

Pressures to 40 PSIG (2.7 barg)
Temperatures to 292°F (144°C)

SENSITIVITY – The –B bellows has been designed to achieve a 1°C (2-3°F) sub-cool. This is the most sensitive trap in the market place today. It maintains backup of condensate below 6" (150mm) for SIP maintenance of vessels sized 40,000 liters and below.

HIGH CAPACITY – These traps have 30-50% higher capacities than any competitor. This means they can often handle the peak condensate load encountered during vessel heat-up without requiring by-pass through a three-way valve.

LONG LIFE – The one single moving part is a multi-plate bellows made of 316L Stainless Steel. The bellows have been tested to exceed 40,000,000 cycles.

UNIVERSAL INDUSTRY STANDARD GASKET – One gasket fits all Nicholson Sanitary Steam Traps. White Viton food grade gasket offers superior performance for higher pressure steam applications.

WATER HAMMER PROTECTION – Impingement plate protects the bellows and valve from hydraulic shock. This design allows self-centering alignment for superior valve-to-orifice sealing.

MODULATING FLOW DYNAMICS – Nicholson Sanitary Steam Traps use conical valves for better flow dynamics, consistent system temperature and pressure and longer life than ball bearing valves.

SELF DRAINING – Completely free draining with the steepest interior surfaces prevents puddling.

AIR VENTING – Thermostatic Bellows allow for superior and faster system start up.

SLR OPTION – Specify when immediate elimination of condensate and improved sensitivity is desired. An orifice on the valve allows for continuous discharge of condensate. Trap will nominally pass 50 lb/hr (22.7 kg/hr) of condensate at 50 psi (3.4 barg) within 0.5°C (1°F) of saturated temperature.

COST EFFICIENT – Eliminates clamp on top of CDS

SIMPLIFIED VALIDATION – Only one unit to validate, complete with all MTRs.

ORDERING CODE

Example:	Model			Dash	Well	Well Depth	
Position:	<u>C</u>	<u>M</u>	<u>E</u>	<u>-</u>	<u>A</u>	<u>6</u>	<u>7</u>
	1	2	3	4	5	6	7
MODEL	WELL			WELL DEPTH			
Position 1 - 3	Position 5			Position 6 & 7			
CME = Condensate Measuring Elbow	A = No Well			25 = 2.5"			
DASH	W = Well			No Well = Leave Blank			
Position 4							

As condensate collects, it takes heat from the actuator, lowering internal pressure. Line pressure will then compress thermal actuator to open valve and discharge condensate. Valve opening automatically adjusts to load conditions from minimum on very light loads to full lift at maximum load. Sensitivity of bellows maintains condensate below thermal probe connection.

CoMBo CONDENSATE MEASURING ELBOW THERMOSTATIC STEAM TRAP

SPECIFICATION

Steam trap shall be of balanced pressure design with 316L welded bellows capable of releasing condensate within 1°C (2-3°F) of saturated pressure. All other interior wetted components shall be of 316L stainless. It shall have interior body finish of at least 20 µ in. (0.5 µm) Ra and exterior body finish of at least 32 µ in. (0.75µm) Ra. Trap shall utilize hygienic body clamp allowing disassembly for inspection or cleaning and be entirely self draining. Trap end connections shall be standard hygienic clamp. Thermostatic actuator shall employ a conical valve lapped to the seat. Traps shall have SLR orifice where drainage at saturated temperatures is required. Traps shall be guaranteed against defects for 3 years. Trap shall maintain condensate below the temperature thermocouple for loads ranging from 1 to 27 lb/hr (0.4 to 12 kg/hr) which are encountered during SIP maintenance of vessels ranging from 20 liters to 40,000 liters respectively.

MAXIMUM OPERATING CONDITIONS

PMO: Max. Operating Pressure	40 psig (2.7 barg)
TMO: Max. Operating Temperature	292°F (144°C)
PMA: Max. Allowable Pressure	150 psig (10.3 barg)
TMA: Max. Allowable Temperature	366°F (186°C)

MATERIALS OF CONSTRUCTION

Part #	Part Name	Material
1	Condensate Elbow	ASME BPE 316L
2	Actuator Nut	316L
3	Body Gasket	Viton 3227
4	-B Bellows	316L
5	Body – Outlet	A276 316L
6	Valve	316L
7	Body Clamp	304
8	Impingement Plate	316L
9	Well	316L
10	Well Gasket	Viton 3227
11	Well Clamp	304

BODY SURFACE FINISH

Internal <20 µ in. (0.5 µm) Ra SFCI. External <32 µ in. (0.75 µm) Ra. Optional mechanical polishing to 10 µ in. (0.25 µm) Ra and/or electropolish SFC4

GASKET APPROVALS

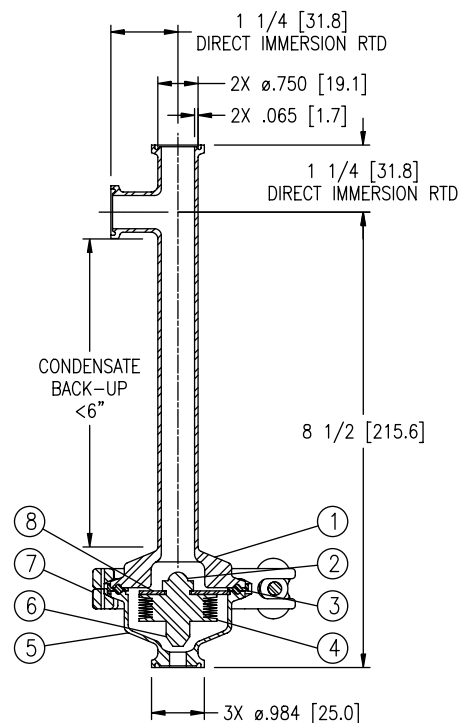
FDA CFR Title 21 Part 177, USDA, USP Class VI, 3A Sanitary Standard, NSF

SERVICE NOTES

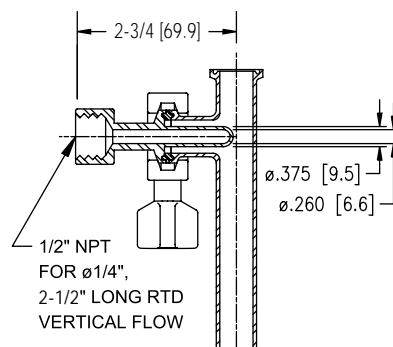
Trap is supplied with the -B Bellows to maintain condensate below the thermal probe. CME-W25 is designed to be self-draining with a horizontal inlet and vertical downward discharge.

MAXIMUM CAPACITY - lbs/hr (kg/hr)

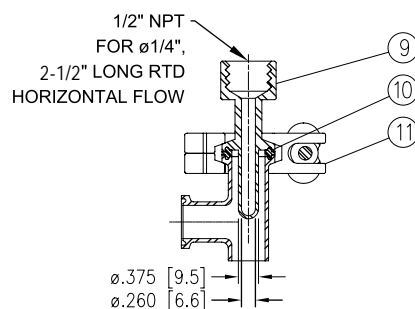
Condensate Temperature	Orifice Inches	Differential PSIG (bar)										
		5 (0.34)	10 (0.7)	20 (1.4)	30 (2.1)	40 (2.8)	50 (3.4)	60 (4.1)	70 (4.8)	80 (5.5)	90 (6.2)	100 (6.9)
80°C Water	5/16	1804 (818)	2551 (1157)	3608 (1636)	4419 (2004)	5030 (2281)	5704 (2587)	6161 (2794)	6654 (3018)	7114 (3226)	7545 (3422)	8067 (3659)
5°C Subcool		1520 (689)	1671 (758)	1869 (848)	2128 (965)	2301 (1044)	2509 (1138)	2713 (1230)	2819 (1278)	2946 (1336)	3091 (1402)	3159 (1433)
1°C Subcool		682 (309)	775 (351)	861 (390)	975 (442)	1109 (503)	1172 (532)	1222 (554)	1291 (585)	1347 (611)	1426 (647)	1453 (659)



CME-A Direct Immersion RTD
2.3 lbs



CME-W25 Vertical Flow
2.8 lbs



CME-W25 Horizontal Flow

Connections: 3/4" Hygienic Clamp

CDS SANITARY THERMOSTATIC STEAM TRAPS

Pressures to 100 PSIG (6.9 barg)
Temperatures to 338°F (170°C)



APPLICATIONS

- CIP/SIP System Condensate Drainage
- Sterilization of Process Vessels
- Culinary Steam
- Humidifiers
- WFI System Sterilization
- Fermenter Sterilization

OPTIONS

- MP - Mechanical Polish to 10 μ in. (0.25 μ m) Ra
- EP - Electropolish
- SLR - SLR Orifice
- Tef-Steel, PTFE, Teflon®, E.P.D.M., USP Class VI & other gasket materials available
- -B Bellows for low subcool
- 6" Condensate Leg (CME-W25, CME-A)

APPLICABLE CODES

- ASME BPE

Canadian Registration # 0E0591.9

OPERATION

Thermal actuator is filled at its free length with a liquid having a lower boiling point than water. On start-up, valve is normally open to discharge air, non-condensibles and condensate. When steam enters trap, thermal actuator fill vaporizes to a pressure higher than line pressure. This forces

Steepest Interior Surfaces—Designed to completely drain without puddling.

Stainless Steel Body—Body Material is 316L Stainless Steel with 20 μ in. (0.5 μ m) Ra internal finish and 32 μ in. (0.75 μ m) Ra external finish. Available with mechanical polishing to 10 μ in. (0.25 μ m) Ra and/or electropolish.

Self centering Valve—Leak tight shut off. Assembly of actuator and valve to impingement plate allows the valve to self align with center of the orifice.

Temperature Sensitive Actuator—One moving part. 316L Stainless Steel, fail open, welded actuator for maximum corrosion, thermal and hydraulic shock resistance.

Directional Discharge—Erosion prevented by directing discharge to center of piping.

Maintenance—Can be easily removed and disassembled for sterilization and/or repair.

Three Year Guarantee—Guaranteed for three years against defects in material or workmanship.

Industry Standard Food Grade Gasket—White Viton food grade gasket offers superior performance for higher pressure steam applications.

Large Orifice Selection—Broad selection of orifice sizes provide greatest sizing and selection flexibility.

Superior Air Handling—Best air handling capability provides for fast startup.

Unique SLR Orifice Option Specify when immediate elimination of condensate and improved sensitivity is desired. An orifice on the valve allows for continuous discharge of condensate. Trap will nominally pass 50 lb/hr (22.7 kg/hr) of condensate at 50 psi (3.4 barg) within 0.5°C (1°F) of saturated temperature.

Bar Stock—Connection fittings are not welded onto inlet and outlet pieces.

MODELS

- CDS202—Low capacity
- CDS203—Medium capacity
- CDS204—High capacity

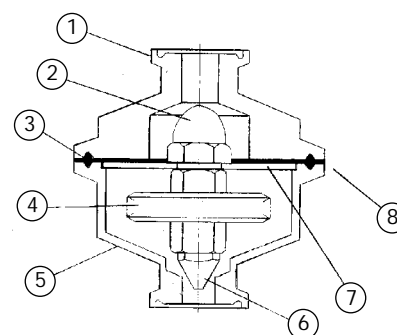
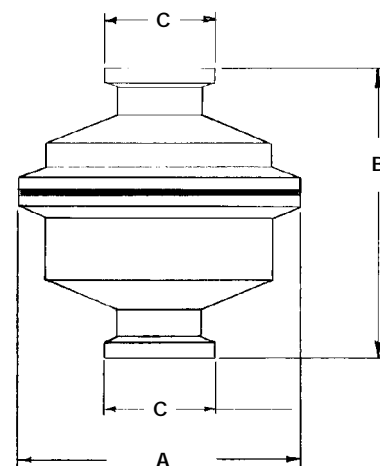
NOTE: Please specify if Material Test Reports (MTR) or Certificates of Conformance (COC) are required.

valve into seat orifice to prevent any further flow. As condensate collects, it takes heat from the actuator, lowering internal pressure. Line pressure will then compress thermal actuator to open valve and discharge condensate. Valve opening automatically adjusts to load conditions from minimum on very light loads to full lift at maximum load.

CDS SANITARY THERMOSTATIC STEAM TRAPS

SPECIFICATION

Steam trap shall be of balanced pressure design with 316L welded bellows capable of releasing condensate within 1°C (2-3°F) or 5°C (10°F) of saturated pressure. All other interior wetted components shall be of 316L stainless. It shall have interior body finish of at least 20 µ in. (0.5 µm) Ra and exterior body finish of at least 32 µ in. (0.75 µm) Ra. Trap shall utilize hygienic body clamp allowing disassembly for inspection or cleaning and be entirely self draining when installed in vertical configuration. Trap end connections shall be standard hygienic clamp. Thermostatic actuator shall employ a conical valve lapped to the seat. A minimum of three orifices shall be available. Traps shall have SLR orifice where drainage at saturated temperatures is required. Traps shall be guaranteed against defects for 3 years.



Connections:
1/2" - 1 1/2" Hygienic Clamp

MAXIMUM OPERATING CONDITIONS

PMO: Max. Operating Pressure	100 psig (6.9 barg)
TMO: Max. Operating Temperature	338°F (170°C)
PMA: Max. Allowable Pressure	150 psig (10.3 barg)
TMA: Max. Allowable Temperature	366°F (186°C)

BODY SURFACE FINISH

Internal <20 µ in. (0.5 µm) Ra SFCI. External <32 µ in. (0.75 µm) Ra. Optional mechanical polishing to 10 µ in. (0.25 µm) Ra and/or electropolish SFC4

GASKET APPROVALS

FDA CFR Title 21 Part 177, USDA, USP Class VI, 3A Sanitary Standard, NSF

SERVICE NOTES

Trap is designed to be self draining for vertical installation (discharge down)
1/2" - 3/4" service trap should be installed with 3/4" inlet gasket.
1" - 1 1/2" service trap should be installed with 1 1/2" inlet gasket.

SLR ORIFICE OPTION

Specify when immediate elimination of condensate and improved sensitivity is desired. An orifice on the valve allows for continuous discharge of condensate. Trap will nominally pass 50 lb/hr (22.7 kg/hr) of condensate at 50 psi (3.4 barg) within 0.5°C (1°F) of saturated temperature.

POLISHING PROCEDURE

All surface finishes are achieved without the use of additional buffing, compounds or grit.

-B BELLOWS

1°C (2-3°F) subcool for sensitive applications under 40 psi (2.7 barg)

DIMENSIONS inches (mm) and WEIGHTS pounds (kg)

Service	A	B	C	Weight
1/2 and 3/4	2 1/2 (63)	2 5/8 (67)	6 3/4 (25)	1.8 (.8)
1 and 1 1/2	2 1/2 (63)	2 5/8 (67)	1 6 3/4 (50)	2.3 (1.0)

MATERIALS OF CONSTRUCTION

Item	Part Name	Material
1	Body - Inlet	316L A276
2	Actuator Nut	316L
3	Gasket	Viton 3227
4	Actuator	316L
5	Body - Outlet	316L A276
6	Valve	316L
7	Clamp (not shown)	304
8	Impingement Plate	316L

Maximum Capacity—lbs/hr 10°F Below Saturation (Kg/hr 5°C Below Saturation)												
Trap	Orifice Inches	Differential PSIG (bar)										
		5 (0.34)	10 (0.7)	20 (1.4)	30 (2.1)	40 (2.8)	50 (3.4)	60 (4.2)	70 (4.9)	80 (5.6)	90 (6.2)	100 (6.9)
CDS 202	5/32	291 (132)	411 (186)	581 (264)	719 (326)	831 (377)	919 (417)	1000 (454)	1075 (488)	1130 (513)	1174 (533)	1207 (547)
CDS 203	1/4	550 (249)	825 (374)	1210 (549)	1495 (678)	1750 (794)	1975 (896)	2175 (987)	2350 (1066)	2525 (1145)	2650 (1202)	2825 (1281)
CDS 204	5/16	1520 (689)	1671 (758)	1869 (848)	2128 (965)	2301 (1044)	2509 (1138)	2713 (1230)	2819 (1278)	2946 (1336)	3091 (1402)	3159 (1433)

For Kg/Hr Multiply by .454

NOTE: Please specify if Material Test Reports (MTR) or Certificates of Conformance (COC) are required.



CDH SANITARY THERMOSTATIC STEAM TRAPS

**Pressures To 100 PSIG (6.9 barg)
Temperatures to 338°F (170°C)**

APPLICATIONS

- CIP/SIP System Condensate Drainage
- Sterilization of Process Vessels
- Culinary Steam
- Humidifiers
- WFI System Sterilization
- Fermenter Sterilization

OPTIONS

- MP - Mechanical Polish to 10 μ in. (0.25 μ m) Ra
- EP - Electropolish
- SLR - SLR Orifice
- Tef-Steel, PTFE, Teflon®, E.P.D.M., and other gasket materials available

APPLICABLE CODES

- ASME BPE

Canadian Registration # 0E0591.9C

OPERATION

Thermal actuator is filled at its free length with a liquid having a lower boiling point than water. On start-up, valve is normally open to discharge air, non-condensibles and condensate. When steam enters trap, thermal actuator fill vaporizes to a pressure higher than line pressure. This forces

Universally Configurable—Horizontal connections from any direction on standard model; AI and AO models feature one multi-directional horizontal and one vertical connection.

Steepest Interior Surfaces—Designed to completely drain without puddling, even in significantly sloped lines.

Stainless Steel Body—Body Material is 316L Stainless Steel with 20 μ in. (0.5 μ m) Ra internal finish and 32 μ in. (0.75 μ m) Ra external finish. Available with mechanical polishing to 10 μ in. (0.25 μ m) Ra and/or electropolish.

Self centering Valve—Leak tight shut off. Assembly of actuator and valve to impingement plate allows the valve to self align with center of the orifice.

Temperature Sensitive Actuator—One moving part. 316L Stainless Steel, fail open, welded actuator for maximum corrosion, thermal and hydraulic shock resistance.

One Size Suits Most Services—Universal hygienic clamp fits both 1/2" and 3/4" piping.

Maintenance—Can be easily removed and disassembled for sterilization and/or repair.

Four Year Guarantee—Guaranteed for four years against defects in material or workmanship.

Inventory Standard Food Grade Gasket—White Viton food grade gasket offers superior performance for higher pressure steam applications.

Superior Air Handling—Best air handling capability provides for fast startup.

Unique SLR Orifice Option—Specify when immediate elimination of condensate and improved sensitivity is desired. An orifice on the valve allows for continuous discharge of condensate. Trap will nominally pass 50 lb/hr (22.7 kg/hr) of condensate at 50 psi (3.4 barg) within 0.5°C (1°F) of saturated temperature.

Bar Stock—Connection fittings are not welded onto inlet and outlet pieces.

MODELS

- CDH-AI-AO—Horizontal inlet and outlet
- CDH-AI—Horizontal inlet, vertical outlet
- CDH-AO—Vertical inlet, horizontal outlet

NOTE: Please specify if Material Test Reports (MTR) or Certificates of Conformance (COC) are required.

valve into seat orifice to prevent any further flow. As condensate collects, it takes heat from the actuator, lowering internal pressure. Line pressure will then compress thermal actuator to open valve and discharge condensate. Valve opening automatically adjusts to load conditions from minimum on very light loads to full lift at maximum load.

CDH SANITARY THERMOSTATIC STEAM TRAPS

SPECIFICATION

Steam trap shall be of balanced pressure design with 316L welded bellows capable of releasing condensate within 5°C (10°F) of saturated pressure. All other interior wetted components shall be of 316L stainless. It shall have interior body finish of at least 20 µ in. (0.5 µm) Ra and exterior body finish of at least 32 µ in. (0.75 µm) Ra. Trap shall utilize hygienic body clamp allowing disassembly for inspection or cleaning and be entirely self draining in horizontal or angle piping configuration. Trap end connections shall be standard hygienic clamp. Thermostatic actuator shall employ a conical valve lapped to the seat. Traps shall have SLR orifice where drainage at saturated temperatures is required. Traps shall be guaranteed against defects for four years.

MAXIMUM OPERATING CONDITIONS

PMO: Max. Operating Pressure	100 psig (6.9 barg)
TMO: Max. Operating Temperature	338°F (170°C)
PMA: Max. Allowable Pressure	150 psig (10.3 barg)
TMA: Max. Allowable Temperature	366°F (186°C)

MATERIALS OF CONSTRUCTION

Part #	Part Name	Material
1	Body – Inlet	A276 316L
2	Clamp	304
3	Gasket	Viton 3227
4	Body – Outlet	A276 316L
5	Actuator Nut	316L
6	Impingement Plate	316L
7	Actuator	316L SS
8	Valve	316L

CONNECTION

Sanitary Ferrule accommodates 1/2" and 3/4" service

BODY SURFACE FINISH:

Internal <20 µ in. (0.5 µm) Ra SFCI. External <32 µ in. (0.75 µm) Ra. Optional mechanical polishing to 10 µ in. (0.25 µm) Ra and/or electropolish SFC4

GASKET APPROVALS:

FDA, USDA, USP Class VI, 3A Sanitary Standard, NSF

SLR ORIFICE OPTION

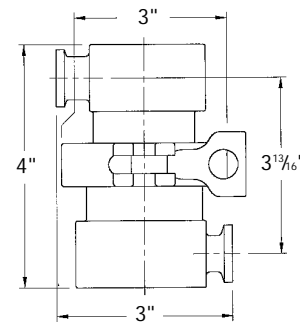
Specify when immediate elimination of condensate and improved sensitivity is desired. An orifice on the valve allows for continuous discharge of condensate. Trap will nominally pass 50 lb/hr (22.7 kg/hr) of condensate at 50 psi (3.4 barg) within 0.5°C (1°F) of saturated temperature.

POLISHING PROCEDURE

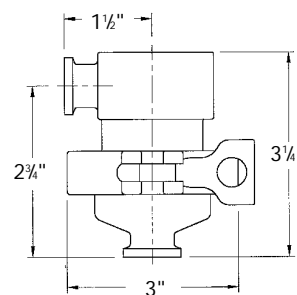
All surface finishes are achieved without the use of additional buffing, compounds or grit.

Maximum Capacity—lbs/hr 10°F Below Saturation (Kg/hr 5°C Below Saturation)		Differential PSIG (bar)										
Trap	Orifice Inches	5	10	20	30	40	50	60	70	80	90	100
		(0.34)	(0.7)	(1.4)	(2.1)	(2.8)	(3.4)	(4.2)	(4.9)	(5.6)	(6.2)	(6.9)
CDH	1/4	550 (249)	825 (374)	1210 (549)	1495 (678)	1750 (794)	1975 (896)	2175 (987)	2350 (1066)	2525 (1145)	2650 (1202)	2825 (1281)

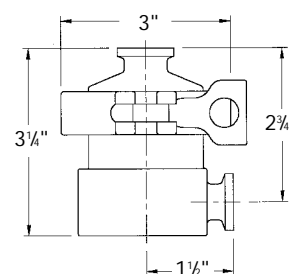
For Kg/Hr Multiply by .454



CDH-AI-AO – 3.9 LB.(1.8 kg)

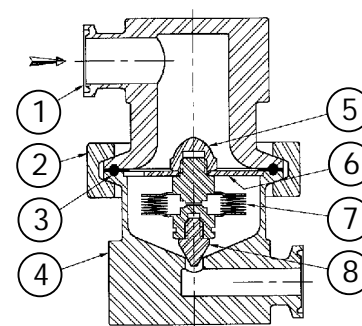


CDH-AI – 2.6 LB. (1.2 kg)



CDH-AO – 3.1 LB. (1.4 kg)

Connections:
1/2/3/4" Hygienic Clamp



U.S. PATENT NO. 6,220,519

DS100/DS110 THERMOSTATIC STEAM TRAPS

Pressures To 150 PSIG (10.3 barg)
Temperatures to 366°F (186°C)



APPLICATIONS

- CIP/SIP System Condensate Drainage
- Sterilization of Process Vessels
- Culinary Steam
- Humidifiers
- WFI System Sterilization
- Main Drips

APPLICABLE CODES

- ASME BPE

Canadian Registration # 0E0591.9C

Stainless Steel Body—Body materials of all models are Type 316L Stainless Steel.

Self Centering Valve—Leak tight shut off. Assembly of actuator and valve to impingement plate allows valve to self-align with center of valve seat orifice. Provides long lasting valve and seat.

Temperature Sensitive Actuator—316L Stainless welded actuator for maximum corrosion, thermal and hydraulic shock resistance. One moving part.

Thermal and Hydraulic Shock Resistant—Impingement plate plus welded construction prevents damage to actuator.

Long Life Valve and Seat—Stainless steel valve and seat matched together for water tight seal.

Maintenance—All models are sealed and maintenance free.

Directional Discharge—Erosion prevented by directing discharge into the center of pipe or tubing.

Best Air Handling Capacity—Fast start up and operation.

Fast Response—Quickly adjusts to condensate load or temperature changes.

One Size Suits Most Services—Universal hygienic clamp fits both 1/2" and 3/4" piping.

Two Year Guarantee—Trap guaranteed for two years against defects in material or workmanship.

MODELS

- **DS100**—Hygienic Clamp end 1 7/8" OAL
- **DS100TE**—Tube end
- **DS110**—Hygienic Clamp end 2 5/8" OAL

NOTE: Please specify if Material Test Reports (MTR) or Certificates of Conformance (COC) are required.

OPERATION

Thermal actuator is filled at its free length with a liquid having a lower boiling point than water. On start-up, valve is normally open to discharge air, non-condensibles and condensate. When steam enters trap, thermal actuator fill vaporizes to a pressure higher than line pressure. This forces

valve into seat orifice to prevent any further flow. As condensate collects, it takes heat from thermal actuator, lowering internal pressure. Line pressure will then compress thermal actuator to open valve and discharge condensate. Valve opening automatically adjusts to load conditions from minimum on very light loads to full lift at maximum load.

DS100/DS110 THERMOSTATIC STEAM TRAPS

SPECIFICATION

Steam trap shall be thermostatically actuated and maintenance free. Actuator shall be of single piece, fail open design consisting of 1.2" diameter, welded 316L stainless plates capable of releasing condensate within 5°C (10°F) of saturated pressure. Trap shall be constructed entirely of 316L stainless steel components with wetted body surfaces finished to 20 μ inch (0.5 μm) Ra or better. Trap shall be self draining when installed vertically in piping systems. Trap shall have tube or universal hygienic clamps. Ferruled connections shall be Tri-clamp compatible and designed to fit both 1/2" and 3/4" service. Trap shall be guaranteed against defects for 2 years.

MAXIMUM OPERATING CONDITIONS

PMO: Max. Operating Pressure	150 psig	(10.3 barg)
TMO: Max. Operating Temperature	366°F	(170°C)
PMA: Max. Allowable Pressure	300 psig*	(20.7 barg)
TMA: Max. Allowable Temperature	500°F*	(260°C)

*May be limited by rating of utilized end connection.

MATERIALS OF CONSTRUCTION

Body- Inlet	A276 316L
Actuator	316L
Body - Outlet	A276 316L
Valve	316L

BODY SURFACE FINISH

Internal <20 μ in. (0.5 μm) Ra SFCI. External <32 μ in. (0.75 μm) Ra. Optional mechanical polishing to 10 μ in. (0.25 μm) Ra and/or electropolish SFC4

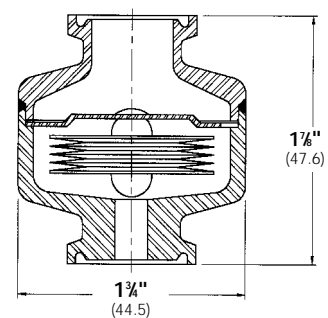
SERVICE NOTES

Trap is designed to be self draining for vertical installation (discharge down). 1/2" - 3/4" ferrule service trap should be installed with 3/4" inlet gasket.

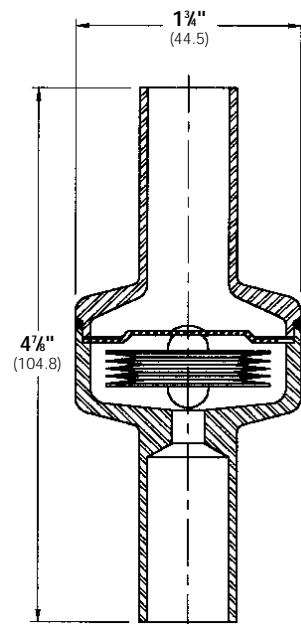
SLR ORIFICE OPTION

Specify when immediate elimination of condensate and improved sensitivity is desired. An orifice on the valve allows for continuous discharge of condensate. Trap will nominally pass 50 lb/hr (22.7 kg/hr) of condensate at 50 psi (3.4 barg) within 0.5°C (1°F) of saturated temperature.

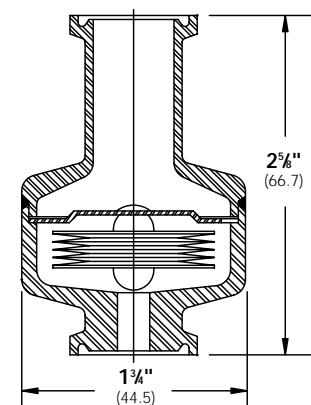
Maximum Capacity—lbs/hr 10°F Below Saturation (Kg/hr 5°C Below Saturation)		Differential PSIG (bar)												
Trap	Orifice Inches	5	10	20	30	40	50	60	70	80	90	100	125	150
		(0.34)	(0.7)	(1.4)	(2.1)	(2.8)	(3.4)	(4.2)	(4.9)	(5.6)	(6.2)	(6.9)	(8.62)	(10.3)
DS100	1/4	550 (249)	825 (374)	1210 (549)	1495 (678)	1750 (794)	1975 (896)	2175 (987)	2350 (1066)	2525 (1145)	2650 (1202)	2825 (1281)	3140 (1424)	3425 (1554)



DS100 HYGIENIC CLAMP CONNECTION
1/2" & 3/4"
Weight .4 lbs (0.18)



DS100TE TUBE CONNECTION
(1/2" & 3/4")
Weight .4 lbs (0.18)



DS110 HYGIENIC CLAMP CONNECTION
(1/2" & 3/4")
Weight .4 lbs (0.18)

Connections: 1/2" - 3/4" Tube
1/2" / 3/4" Hygienic Clamp

DS200 SERIES THERMOSTATIC STEAM TRAPS

Pressures To 100 PSIG (6.9 barg)
Temperatures to 338°F (170°C)



APPLICATIONS

- Platen Presses
- Plating Tanks
- Sterilizers
- Tire Presses
- Cooking Equipment
- Laundry Equipment
- Other Process Equipment

OPTION

- -B Bellows for low subcool

Canadian Registration # OE0591.9C

OPERATION

Thermal actuator is filled at its free length with a liquid having a lower boiling point than water. As assembled, valve is normally open. On startup, air passes through vent. As air is eliminated, hot steam reaches vent and the thermal actuator fill vaporizes to a pressure higher than line pressure. This forces

Stainless Steel Body—Body materials are Type 316L Stainless Steel.

Self Centering Valve—Leak tight shut off. Assembly of actuator and valve to impingement plate allows valve to self-align with center of valve seat orifice. Provides long lasting valve and seat.

Temperature Sensitive Actuator—One moving part. Inconel welded actuator for maximum corrosion, thermal and hydraulic shock resistance.

Thermal and Hydraulic Shock Resistant—Impingement plate plus welded construction prevents damage to actuator.

Valve and Seat—Long life, stainless steel valve and seat lapped and matched together for water tight seal.

Maintenance—All models are sealed and maintenance free.

Three Year Guarantee—Trap guaranteed for three years against defects in material or workmanship.

Additional Features—Best air handling capability for fast start up and operation. Fastest response to condensate load or temperature changes. Broad application range. Selection of orifice and pipe sizes meet majority of condensate removal demands in deionized steam systems.

Unique SLR Orifice Option—Specify when immediate elimination of condensate and improved sensitivity is desired. An orifice on the valve allows for continuous discharge of condensate. Trap will nominally pass 50 lb/hr (22.7 kg/hr) of condensate at 50 psi (3.4 barg) within 0.5°C (1°F) of saturated temperature.

MODELS

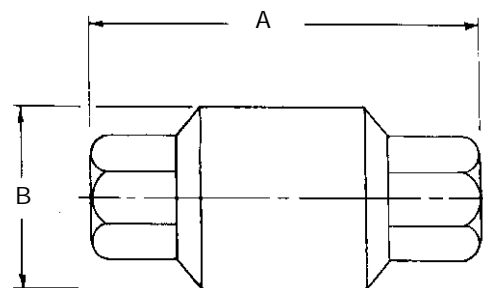
- DS202—Low capacity
- DS203—Medium capacity
- DS204—High capacity

valve into seat orifice to prevent any further flow. Should more air collect, it takes heat from the actuator, lowering internal pressure. Line pressure will then compress thermal actuator to open valve and discharge air. Valve lift automatically adjusts to variations.

DS200 SERIES THERMOSTATIC STEAM TRAPS

SPECIFICATION

Steam trap shall be of balanced pressure design with 316L welded bellows capable of releasing condensate within 5°C (10°F) of saturated pressure. Where drainage at saturated temperatures is required, trap shall have SLR orifice. All other components shall be of 316 or 316L stainless steel. Trap shall be self draining and normally open.



3/8" - 3/4" BODY

Connections:
3/8" - 3/4" NPT or socketweld

MAXIMUM OPERATING CONDITIONS

PMO: Max. Operating Pressure	100 psig	(6.9 barg)
TMO: Max. Operating Temperature	338°F	(170°C)
PMA: Max. Allowable Pressure	150 psig	(10.3 barg)
TMA: Max. Allowable Temperature	366°F	(186°C)

MATERIALS OF CONSTRUCTION

Body	ASTM A351 Grade CF3M (316L)
Welded Actuator	316L Fittings & Plates
Valve & Seat	316L Stainless Steel

SLR ORIFICE OPTION

Specify when immediate elimination of condensate and improved sensitivity is desired. An orifice on the valve allows for continuous discharge of condensate. Trap will nominally pass 50 lb/hr (22.7 kg/hr) of condensate at 50 psi (3.4 barg) within 0.5°C (1°F) of saturated temperature.

-B BELLOWS

1°C (2-3°F) subcool for sensitive applications under 40 psi (2.7 barg)

DIMENSIONS inches (mm) and WEIGHTS pounds (kg)

NPT or Socket Weld	A	B	Weight
3/8 and 1/2	3 3/4 (95)	1 3/4 (44)	1.1 (0.5)
3/4	3 1/4 (100)	1 3/4 (44)	1.2 (0.54)

Maximum Capacity—lbs/hr 10°F Below Saturation (Kg/hr 5°C Below Saturation)

Trap	Orifice Inch (mm)	Differential PSIG (bar)													
		5 (0.34)	10 (0.7)	20 (1.4)	50 (3.5)	100 (6.9)	125 (8.6)	150 (10.3)	200 (13.8)	250 (17.2)	300 (20.7)	350 (24.1)	400 (27.6)	450 (31.0)	500 (34.5)
DS202	1/8 (3)	216 (98)	265 (120)	375 (170)	592 (269)	778 (354)	838 (381)	890 (405)	980 (445)	1055 (480)	1121 (510)	1180 (536)	1235 (561)	1284 (584)	1323 (601)
DS203	1/4 (6)	550 (249)	825 (374)	1210 (549)	1975 (896)	2825 (1281)	3140 (1424)	3425 (1554)	3650 (1656)	3960 (1796)	4100 (1860)	4230 (1919)	4420 (2005)	4600 (2086)	4760 (2161)
DS204	5/16 (8)	860 (390)	1220 (554)	1725 (783)	2725 (1237)	3575 (1623)	3850 (1748)	4090 (1857)	4505 (2045)	4850 (2202)	5155 (2340)	5425 (2463)	5675 (2576)	5900 (2679)	6110 (2774)



APPLICATIONS

- Steam Tracing
- Drip Leg
- Heating
- Sanitary Applications

SANITIZER NTD 230L SERIES SANITARY THERMODYNAMIC STEAM TRAPS

**Pressures To 150 PSIG (10.3 barg)
Temperatures to 850°F (454°C)**

Sanitary — 316L stainless steel bar stock body, disc and cap, with surface finishes better than 32m in. Ra, prevent contamination and rouging.

Compact Design — Stainless steel disc is the only moving part.

Inexpensive — Low initial cost is less expensive than repairable technologies.

Simplifies Installation — Works in any position.

Rugged — Handles water hammer and superheat.

Reliable, Efficient Operation — Blast discharge quickly draws condensate and helps maintain system temperature.

Freeze resistant — Self draining design with vertical install drain prevents freezing.

All 316L Stainless Steel Construction — Resists both internal and external corrosion.

Easy to Monitor — Audible discharge cycle makes checking operation simple.

MODELS

- NTD 230L—Sanitizer Thermodynamic Steam Trap

NOTE: Please specify if Material Test Reports (MTR) or Certificates of Conformance (COC) are required.

OPERATION

Incoming air and condensate flow through the trap body and into the control chamber. Line pressure raises the disc off the seat, allowing complete discharge. When flashing condensate enters the cartridge, flow velocity increases, creating low pressure underneath the disc. Flashing condensate at high velocity strikes the inside wall of the disc chamber and is deflected to the top of the disc,

causing a pressure buildup. The disc is forced down onto the seat by this pressure imbalance. The trap remains closed as flashed vapor in the control chamber keeps the disc seated. Pressure inside the cap is not lowered until the trapped flash vapor condenses due to body radiation. Condensing steam lowers the pressure above the disc. Disc is then lifted and the cycle repeated.

SANITIZER NTD 230L SERIES SANITARY THERMODYNAMIC STEAM TRAPS

SPECIFICATION

Steam Trap shall be of the thermodynamic design. Body shall be of 316L stainless steel construction. Surface finishes shall exceed 32 μ in. (0.75 μ m) grade. Trap body shall contain an integral seat. Cover shall seal to body without gaskets or seals. Trap shall be suitable for pressures through 150 PSI (10.3 barg). Trap end connections shall be hygienic clamp and accommodate mating connection sizes of 1/2 and 3/4 inch. Trap shall function installed in any pipe configuration.

MAXIMUM OPERATING CONDITIONS

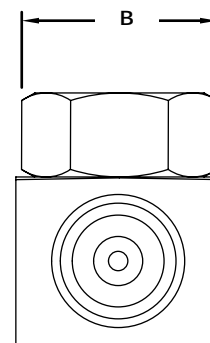
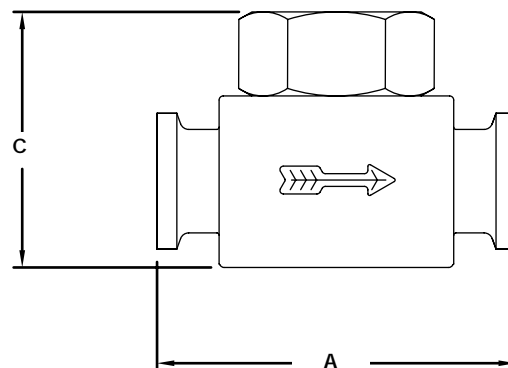
PMO: Max. Operating Pressure	150 psig (10.3 barg)
TMO: Max. Operating Temperature	850°F (454°C)
PMA: Max. Allowable Pressure	230 psig (15.9 barg)
TMA: Max. Allowable Temperature	850°F (454°C)

MATERIALS OF CONSTRUCTION

Body	316L Stainless Steel Bar Stock
Disc	316L Stainless Steel Bar Stock
Cover	316L Stainless Steel Bar Stock

Maximum Capacity — lbs/hr (10°F Below Saturation)							
Orifice	Differential PSIG (barg)						
	5 (0.34)	10 (0.7)	20 (1.4)	50 (3.4)	100 (6.9)	125 (8.6)	150 (10.3)
0.141	215	236	264	345	447	486	521

For Kg/Hr Multiply by .454



Connections: 1/2" / 3/4"
Hygienic Clamp

DIMENSIONS inches (mm) and WEIGHTS pounds (kg)

A	B	C	Weight
2 5/8 (66)	1 1/2 (38)	2 (51)	1.31 (0.59)



STEAM SCRUBBER FILTER

APPLICATION DATA

- Culinary Grade Steam
- Sterilizers
- Autoclaves
- Pharmaceutical & Biotechnology Process Equipment
- Clean Room Humidification
- Chemical Industry
- Electronic Industry
- Plastic Industry

OPTIONS

- 316L Housing
- Silicone, Viton or Buna N Gaskets
- Flange or Welded Ends
- 4" to 8" with ANSI Flanged End

Canadian Registration #OE8186.80

STEAM SCRUBBER STAINLESS STEEL FILTER

SIZES 1/2" to 3"
PRESSURES to 145 PSIG at 353°F

1 and 5 Micron Filters—meet or exceed FDA guidelines and comply with 3A

304 Stainless Steel Housing—Electropolished and Passivated

Double O-ring EPDM Housing Gasket

Inline NPT Connections

Single Clamp Closure

Sintered 316 Stainless Steel Filter Media

Porosity Level—greater than 50%

Filter Media—in 1, 5 or 25 Micron Absolute Ratings

Filter Element Endcaps—304 Stainless Steel

Renewable Filter Media

Single Open End Filter Media

MODELS

- **SS2L**—2" low capacity
- **SS3L**—3" low capacity
- **SS12**—1/2" standard capacity
- **SS34**—3/4" standard capacity
- **SS1**—1" standard capacity
- **SS114**—1 1/4" standard capacity
- **SS112**—1 1/2" standard capacity
- **SS2**—2" standard capacity
- **SS212**—2 1/2" standard capacity
- **SS3**—3" standard capacity

NOTE: Please specify if Material Test Reports (MTR) or Certificates of Conformance (COC) are required.

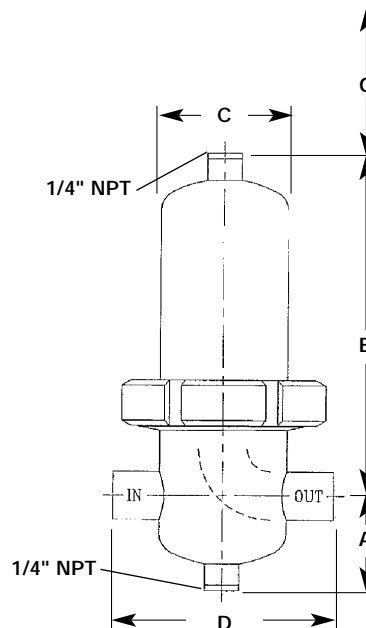
**REQUIRES DRIP TRAP.
COMBINE WITH DS200 TRAP
FOR MOST CLEAN STEAM APPLICATIONS**

DS200 TRAP ON
PAGE 10

STEAM SCRUBBER STAINLESS STEEL FILTER

SPECIFICATION

Furnish and install as shown on the plans, high efficiency, inline horizontal, filter for air, steam or gas constructed with 304 or 316L stainless steel housing and single, open ended element. Filter shall have an absolute rating of 1, 5 or 25 microns and utilize double o-ring gaskets to reduce potential downstream leakage of unfiltered medium. External surface finish of filter housing shall be no less than 180 grit (25-35 Ra microinch) and joined utilizing a single clamp. Filter media shall be of sintered 316L stainless steel and be regenerable. 1 and 5 micron media shall conform to 3A sanitary standards for production of culinary steam and be USDA accepted. Connections shall be NPT, flanged ANSI 150 or welded.



Connections:
1/2" - 3" NPT, Flanged or Welded

MAXIMUM OPERATING CONDITIONS*

PMO: Max. Operating Pressure	145 psig (10 barg) Limit for Saturated Steam 125 psig (8.6 barg)
TMO: Max. Operating Temperature	353°F (178°C)
PMA: Max. Allowable Pressure	232 psig / 0-400°F (16 barg / 0-204°C)
TMA: Max. Allowable Temperature	400°F / 0-232 psig (204°C / 0-16 barg)

*For differential pressures greater than 75 psig, consult factory.

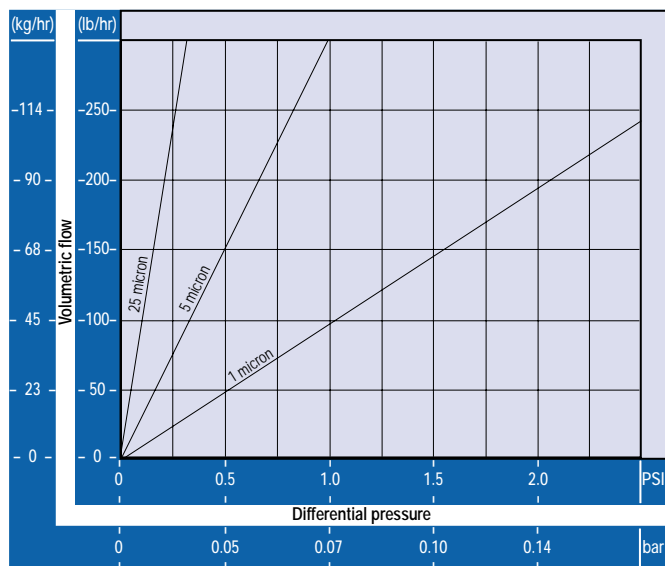
MATERIALS OF CONSTRUCTION

Body, Standard	304 Stainless Steel
Body, Optional	316L Stainless Steel
Clamp	304 Stainless Steel
Plug	304 Stainless Steel
Gasket, Standard	EPDM
Gasket, Optional	Silicone
Gasket, Optional	Viton
Gasket, Optional	Buna N
Filter Media	Sintered 316L Stainless Steel
Filter End Caps	304 Stainless Steel

DIMENSIONS inches (mm) and WEIGHTS pounds (kg)

Size	A	B	C	D	G	Weight	Conversion Factors (Cs)
1/2 (15)	2 1/8 (55)	7 3/8 (188)	2 3/4 (70)	4 1/8 (108)	3 3/4 (95)	4.2 (1.9)	0.17
3/4 (20)	2 1/8 (55)	8 3/8 (211)	2 3/4 (70)	4 7/8 (125)	6 (152)	4.4 (2.0)	0.25
1 (25)	2 7/8 (74)	8 3/8 (219)	3 3/8 (85)	4 7/8 (125)	6 (152)	5.7 (2.6)	0.39
1 1/4 (32)	2 7/8 (74)	10 5/8 (270)	3 3/8 (85)	5 1/2 (140)	8 (203)	6.6 (3)	0.50
1 1/2 (40)	3 3/4 (94)	11 1/2 (292)	4 1/8 (104)	6 5/8 (170)	8 (203)	10.1 (4.6)	0.67
2L* (50)	3 3/4 (94)	14 3/8 (366)	4 1/8 (104)	6 5/8 (170)	11 (279)	10.6 (4.8)	1.00
2 (50)	3 3/4 (94)	19 3/8 (493)	4 1/8 (104)	6 5/8 (170)	17 3/4 (451)	11.7 (5.3)	1.50
2 1/2 (65)	4 1/4 (106)	24 5/8 (626)	5 1/8 (129)	8 1/2 (216)	23 (584)	19.8 (9)	2.00
3L* (80)	4 1/4 (106)	34 5/8 (881)	5 1/8 (129)	8 1/2 (216)	33 1/2 (851)	23.8 (10.8)	2.70
3 (80)	4 5/8 (119)	35 3/4 (907)	6 (152)	9 3/8 (240)	33 1/2 (851)	35.6 (16.2)	4.00

Saturated Steam Capacity
2"L, 250°F, 15 PSI (Cm)*



*For other pressures and sizes, see conversion factors.

SELECTION EXAMPLE

For optimum service life, the filter should have a 1 psi maximum pressure drop. Select a 5 micron filter for a flow rate of 110 lbs/hr (w) of saturated steam at 45 psi.

$$\text{Where: } Cs = \frac{w}{CmCp}$$

Designing for .75 PSI differential pressure, Cm is 225 from the capacity chart and Cp is 2.0.

$$\text{Therefore: } Cs = \frac{110}{(225)(2.0)} = .24 \text{ so } 3/4" \text{ should be used.}$$

Steam Pressure Conversion Factors (Cp)		0	15	30	45	60	75	90	105	120	135
Steam Pressure	PSI	0	15	30	45	60	75	90	105	120	135
Steam Pressure	bar	0	1	2	3	4	5	6	7	8	9
Conversion factor		0.5	1.0	1.5	2.0	2.5	3.0	3.5	4.0	4.5	5.0

SANITARY STEAM TRAP SUMMARY

SUMMARY	CoMBo	CDS	CDH	DS100/DS110	NTD230L	DS200
SIZES (Inches)	1/2, 3/4	1/2, 3/4, 1, 1½	1/2, 3/4	1/2, 3/4	1/2, 3/4	3/8, 1/2, 3/4
MAXIMUM PRESSURE (PSI)	40	100	100	150	150	100
CLEANABLE	YES	YES	YES	NO	YES	NO
INTERNAL FINISH	< 20 µ In.	< 20 µ In.	< 20 µ In.	< 20 µ In.	< 32 µ In.	125
CONNECTIONS	HYGIENIC CLAMP	HYGIENIC CLAMP	HYGIENIC CLAMP	HYGIENIC CLAMP	HYGIENIC CLAMP & TUBE	NPT
FLOW	VERTICAL & HORIZONTAL	VERTICAL	HORIZONTAL	VERTICAL	HORIZONTAL	VERTICAL
FREE DRAINING	YES	YES	YES	YES	NO	NO
ASME BPE COMPLIANT	YES	YES	YES	YES	NO	NO
OPTIONS	SLR	SLR	SLR	SLR		SLR
	MECHANICAL POLISH	MECHANICAL POLISH	MECHANICAL POLISH			
	ELECTRO-POLISH	ELECTRO-POLISH	ELECTRO-POLISH			
		-B BELLOWS				-B BELLOWS

All traps are exclusively 316L



TYPE D50 STAINLESS STEEL STEAM PRESSURE REDUCING VALVE

**Pressures To 300 PSIG (21 barg)
Temperatures to 420°F (216°C)**

Tight Shutoff—Spherical seating surface on floating stainless steel disc ensures ANSI/FCI 70-2 Class IV Shutoff.

Unique Adjustable Aspirator—Allows valve to be adjusted to suit service requirements.

Three Spring Ranges—Provide for wide range of controlled pressures.

External Adjusting Screw—Allows for quick, accurate change of reduced pressure set point.

High Grade Stainless Steel Spring—Accommodates wide range of adjustment without dangerous spring overload.

Large Area Diaphragm—Assures high sensitivity and accurate control.

External Body Cap—Provides easy access to internal screen for cleaning.

APPLICATIONS

- Clean steam systems utilizing deionized steam
- In-line sterilization of liquid storage tanks and distribution equipment
- Cleaning and sterilizing process piping systems
- Powering sterilizers and autoclaves

Canadian Registration # 0C0591.9

MODELS

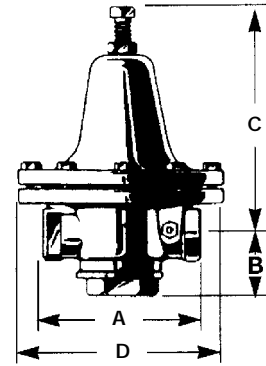
- **D50SS**—Stainless Steel D50

OPERATION

Regulator is actuated by changes in the downstream pressure. Any increase in the downstream pressure above the set point (due to decreased fluid demand) will force the diaphragm up and overcome the resistance of

the spring, allowing the valve to close. Any decrease in the downstream pressure (due to an increased fluid demand) will decrease the pressure on the diaphragm and permit the spring to open the valve.

TYPE D50 STAINLESS STEEL STEAM PRESSURE REDUCING VALVE SPECIFICATION



Connections: 1/2" - 1" Screwed

Valve shall be self operated, requiring no external energy source. Valve shall operate quickly and provide dead end shutoff. Valve shall have a stainless steel body and be rated 300 psi at 420°F. Valve trim material shall be stainless steel. Valve shall have a standard aspirator to allow for adjustment of operation.

MAXIMUM OPERATING CONDITIONS

PMO: Max. Operating Pressure 300 psig (20.7 barg)
 TMO: Max. Operating Temperature 420°F (216°C)
 PMA: Max. Allowable Pressure 300 psig (20.7 barg)
 TMA: Max. Allowable Temperature 420°F (216°C)

Dimensions					
Size	Dimensions, Inches (mm)				Weight lbs (kg)
	A	B	C	D	
1/2" (13)	5 (127)	1 5/8 (41)	5 1/2 (140)	4 7/8 (124)	8 (3.6)
3/4", 1" (19, 25)	5 5/8 (143)	2 1/4 (57)	6 1/2 (165)	7 7/16 (191)	22 (10)

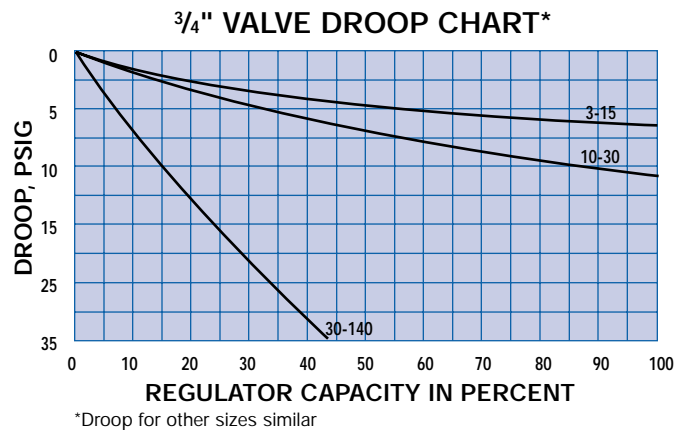
MATERIALS OF CONSTRUCTION

BodyASTM 743 CF-8M
 Stem304 St. Stl ASTM 276 Cond. A
 Disc.....316 St. Stl. ASTM 276 Cond. A
 Seat304 St. Stl ASTM 276 Cond. A
 Gasket.....Teflon
 Diaphragm304 St. Stl ASTM 276 Cond. A
 Spring302 St. Stl.

Rated Flow Coefficients (Cv)	VALVE SIZE		
	1/2"	3/4"	1"
	2.2	3.3	4.9

SPRING RANGES

- 3-15 psig
- 10-30 psig
- 30-140 psig



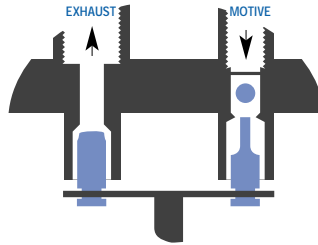
Rated Steam Capacity Tables (lbs./hr)																									
PSI IN	10	20	30	40	50	75	100	125	150	175	200	250	60	75	85	100	125	150	175	200	250				
PSI OUT	5	10	10	30	30	30	30	30	30	30	30	30	50	50	50	50	50	50	50	50	50				
1/2"	41	68	100	87	130	200	255	315	370	425	480	595	115	190	230	280	340	405	465	525	650				
3/4"	59	97	145	125	185	290	370	450	530	615	695	855	165	275	335	410	500	590	675	765	945				
1"	80	130	195	170	250	390	495	605	715	825	930	1150	250	420	510	625	760	895	1030	1170	1440				
PSI IN	85	100	125	150	175	200	225	250	110	125	150	200	225	250	135	150	175	200	225	250	160	175	200	225	250
PSI OUT	75	75	75	75	75	75	75	75	100	100	100	100	100	100	125	125	125	125	125	125	140	140	140	140	140
1/2"	130	215	325	405	465	525	585	650	190	310	460	675	755	830	210	340	500	635	755	830	315	425	580	710	835
3/4"	190	315	470	590	675	765	855	945	310	500	745	1095	1220	1350	340	550	810	1030	1230	1350	510	690	940	1150	1350
1"	290	480	720	895	1030	1170	1300	1440	380	620	920	1350	1510	1670	420	680	995	1270	1510	1670	630	855	1160	1420	1670

Applications

- Collection of condensate
- Where electrical service is unavailable
- Submerged or remote sumps and manholes
- Hazardous fluids and process fluids
- Low pressure and vacuum systems
- High back pressure systems
- High capacity process applications

Condensate Commander Pump

Pressures to 250 PSIG (17.2 barg)
Temperatures to 650°F (343°C)



Inlet Supply and Vent Valves

Lapped valves and seats for tight shutoff

Stainless steel construction resists corrosion

Floating ball design and hardened sealing surface of supply valve provide long service life

Floating disk and ball valves feature an infinite number of seating surfaces

Self centering design assures reliable performance



Unique Patented Single Spring Mechanism

Eliminates pump breakdown due to spring failure

Snap acting mechanism actuates the valve

Heavy duty spring operating in compression carries lifetime warranty

Unaffected by turbulence

Stainless steel construction maximizes reliability and service life

Valve and linkage positioning above condensate level minimizes corrosion



Cycle Counter

accurately depicts number of cycles and assists in maintenance scheduling

Retrofit Mechanism Available

Head assembly fits many manufacturer's tanks

ASME Code Stamped Tank

Fabricated steel tank is standard on most models

Warrantied 3 Years or One Million Cycles

Longest warranty in the industry

CONDENSATE RECOVERY

NICHOLSON's broad range of Commander Series Pressure Actuated Pumps are recognized for their quality, durability and versatility. Skid systems, fabricated to meet customer requirements, are a value added specialty that differentiate **NICHOLSON**'s products from the competitors.



CONDENSATE COMMANDER PUMP

Pressures To 250 PSIG (17.2 barg)
Temperatures to 650°F (343°C)

No Electricity Needed

- Uses pressurized gas or steam as the pumping force.
- Preferable for remote or hazardous locations.

Lifetime Warranty on Spring

- Single spring mechanism operates in compression only to assure long service life
- Stainless steel snap action mechanism in continuous compression offers superior performance.

Rugged Mechanism

- Unaffected by turbulence.
- No adjustments or maintenance necessary.

Superior Valve Technology

- Supply and exhaust valves are lapped for tight shutoff.
- Self centering design assures reliable performance.
- Unique floating ball design and hardened sealing surface of the supply valve provide long service life.

Suitable for a Wide Variety of Liquids

- Condensate from steam systems.
- High back pressure, low pressure and vacuum systems.
- Ideal in a sump or other submersible applications.
- Suitable for acids and other process fluids that may be incompatible with conventional pumps.

Warrantied 3 Years or One Million Cycles

- Longest warranty in the industry.

ASME Code Stamped Tank

- Fabricated steel tank is standard on most models.

Retrofit Mechanism Available

- Head assembly can fit other manufacturer's tanks.

Required suction head is minimal

- Optimal performance achieved at only 12 inches.

APPLICATIONS

Collection of Condensate

- Remote Locations such as tank farms
- Low pressure and vacuum systems
- Condensate systems with high back pressure
- High capacity process applications such as heat exchangers

Electrical Service is Unavailable or Prohibited

- Remote locations
- Hazardous locations

Submerged Areas

- Sumps or low lying areas
- Manholes

Hazardous Fluids

- Process fluids that may be difficult for conventional electric pump technology to handle

OPTIONS

- Glass Water Gage
- Cycle Counter
- Bronze or Stainless Steel Check Valves
- Insulating Jacket
- Supply Pressure Regulator
- Stainless Steel Tanks
- High Temperature
- High Pressure

OPERATION

The vent valve is open, the pressure supply valve is closed and the float is positioned in the lower part of the tank as the condensate or other liquid enters the tank through the inlet check valve. As the tank fills with liquid, the float rises to the point where the spring mechanism snaps past the center position. The compressed spring instantly closes the vent valve and opens the pressure supply. This allows

pressure into the tank which forces the liquid through the outlet check valve.

As the liquid level falls, the float lowers to the point where the spring mechanism snaps past the center position which immediately closes the pressure supply valve and opens the vent valve. The pressure in the tank decreases, allowing liquid to flow through the inlet check valve, repeating the cycle.

MODELS

- **Classic**-Standard capacity, vertical tank
- **Big Boy**-Super capacity, horizontal tank
- **Horizontal**-Standard capacity, high pressure, horizontal tank
- **Little Boy**-Reduced capacity, vertical tank
- **Skid**-Standard or custom multiplex configurations

CONDENSATE COMMANDER CLASSIC PUMP

SPECIFICATION

Pump shall be a pressure vessel drainer operated by steam, compressed air or other pressurized gas to 200 psig. Body shall be fabricated steel ASME code to 200 psi. Pump mechanism shall be all stainless steel without external packing or seals. Mechanism shall employ one spring operating in continuous compression. Spring shall be warrantied for the life of the unit. When required, unit shall be equipped with an external cycle counter, sight glass and insulating jacket.

MAXIMUM OPERATING CONDITIONS

PMO: Max. Operating Pressure	200 psig	(13.8 barg)
TMO: Max. Operating Temperature	400°F	(204°C)
PMA: Max. Allowable Pressure	200 psig	(13.8 barg)
TMA: Max. Allowable Temperature	400°F	(204°C)

With optional Temperature/Pressure upgrades:

PMO: Max. Operating Pressure	250 psig	(17.2 barg)
TMO: Max. Operating Temperature	650°F	(343°C)
PMA: Max. Allowable Pressure	250 psig	(17.2 barg)
TMA: Max. Allowable Temperature	650°F	(343°C)

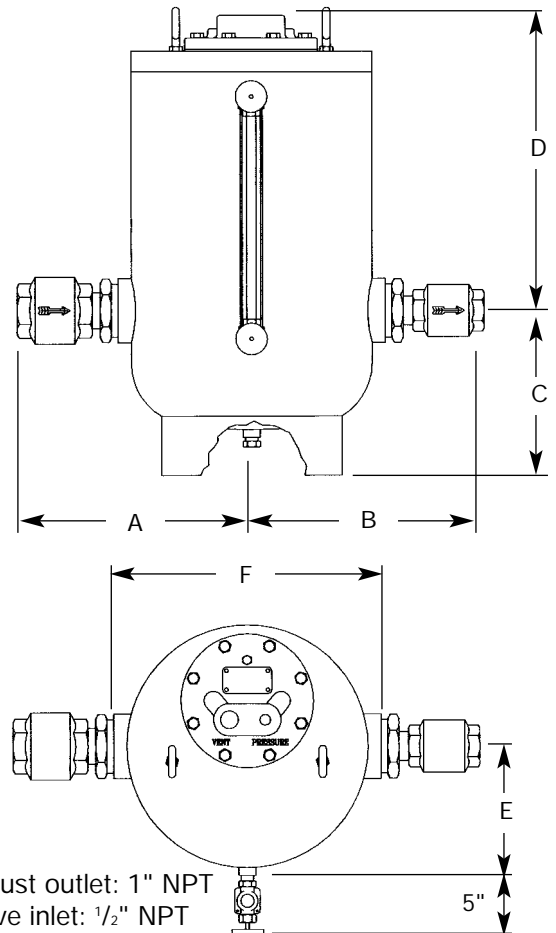
MATERIALS OF CONSTRUCTION

Tank Weldment	Steel
Trip Mechanism w/Flange	DI/Stl/SS
Gasket	Graphite
Bolt, Hex Head	Steel
Eye Bolt	Steel
Nut	Steel
Nameplate	Aluminum
Drive Screw	Steel
Pipe Plug, 1/2" NPT	Steel
Water Level Gage	Bronze
Inlet Reducer	M. Iron
Inlet Nipple	Steel
Inlet Check Valve	Bronze/Stainless Steel
Outlet Reducer	M. Iron
Outlet Nipple	Steel
Outlet Check Valve	Bronze/Stainless Steel

OPERATING CHARACTERISTICS

Pump Discharge per Cycle:	7.8 - 8.6 Gal
Max. Instantaneous Discharge Rate:	90 GPM (w/2" outlet check)
Steam Consumption:	~3 lbs per 1000 lbs. of liquid pumped
Air Consumption:	~100 SCF per 1000 lbs. of liquid pumped
Recommended Filling Head:	12"

Canadian Registration # 1352.92



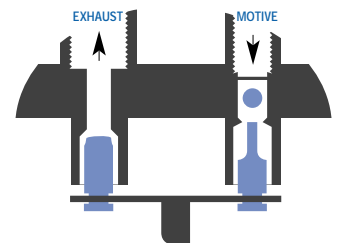
See Capacities on page 91

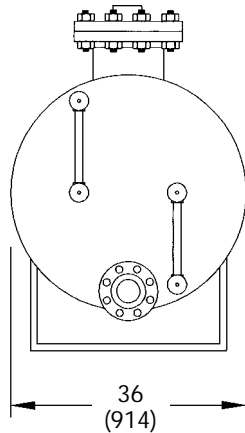
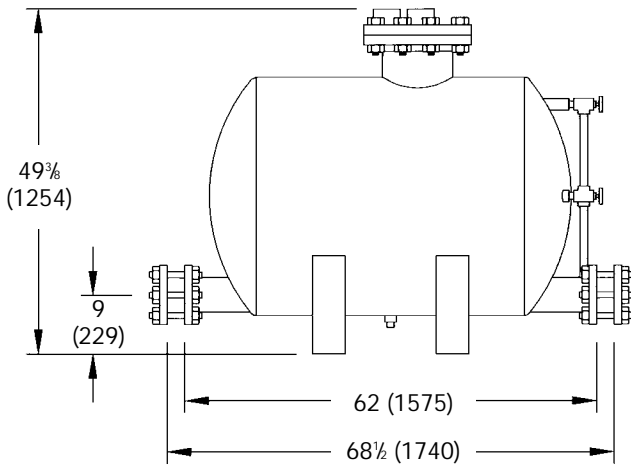
Connections:
1" x 1" to 3" x 2" Screwed

Size	Inches (mm)						Weight lbs(kg)
	A	B	C	D ¹	E [*]	F	
1" x 1"	13 ³ / ₈ (340)	13 ³ / ₈ (340)	11 (279)	2 1 ³ / ₄ (552)	9 (228)	17 ³ / ₄ (451)	168 (76)
1 1/2" x 1 1/2"	14 ³ / ₄ (375)	14 ³ / ₄ (375)	11 (279)	2 1 ³ / ₄ (552)	9 (228)	17 ³ / ₄ (451)	170 (77)
2" x 2"	15 (381)	15 (381)	11 (279)	2 1 ³ / ₄ (552)	9 (228)	17 ³ / ₄ (451)	173 (79)
3" x 2"	16 1/2 (419)	15 (381)	11 (279)	2 1 ³ / ₄ (552)	9 (228)	17 ³ / ₄ (451)	185 (84)

^{*}Add 5" for Water Gage.

¹Allow additional 21" clearance for maintenance.





Exhaust outlet: 2" NPT
Motive inlet: 2" NPT

Dimensions-Inches (mm)

See Capacities on page 91

Connections:
4" x 4" Flanged

Canadian Registration # 1350.9

CONDENSATE COMMANDER BIG BOY PUMP

SPECIFICATION

Pump shall be a pressure vessel drainer operated by steam, compressed air or other pressurized gas to 150 psig. Body shall be fabricated steel ASME code to 150 psi. Mechanism shall employ one spring operating in continuous compression. Springs shall be warranted for the life of the unit. When required, unit shall be equipped with an external cycle counter and sight glass.

MAXIMUM OPERATING CONDITIONS

PMO:	
Max. Operating Pressure	150 psig (10.3 barg)
TMO:	
Max. Operating Temperature	400°F (204°C)
PMA:	
Max. Allowable Pressure	150 psig (10.3 barg)
TMA:	
Max. Allowable Temperature	400°F (204°C)

MATERIALS OF CONSTRUCTION

Tank Weldment	Steel
Trip Mechanism w/Flange	Stl/SS
Gasket	Non-asbestos
Stud, Flange	Steel
Nut, Hex	Steel
Nameplate	Aluminum
Drive Screw	Steel
Pipe Plug, 3/4" NPT	Steel
Water Level Gage	Bronze
Inlet Check Valve	Bronze/Stainless Steel
Inlet Flange	Steel
Outlet Check Valve	Bronze/Stainless Steel
Outlet Flange	Steel

OPERATING CHARACTERISTICS

Pump Discharge per Cycle:	140 - 185 Gal
Max. Instantaneous Discharge Rate:	195 GPM
Steam Consumption:	~3 lbs per 1000 lbs. of liquid pumped
Air Consumption:	~100 SCF per 1000 lbs. of liquid pumped
Recommended Filling Head:	24"

Canadian Registration # 1350.9

OPTIONS

- High Back Pressure for back pressures above 60 psi

CONDENSATE COMMANDER HORIZONTAL PUMP SPECIFICATION

Pump shall be a pressure vessel drainer operated by steam, compressed air or other pressurized gas to 250 psig. Body shall be fabricated steel ASME code to 250 psi. Pump mechanism shall be all stainless steel without external packing or seals. Mechanism shall employ one spring operating in continuous compression. Spring shall be warranted for the life of the unit. When required, unit shall be equipped with an external cycle counter, sight glass and insulating jacket.

MAXIMUM OPERATING CONDITIONS

PMO:		
Max. Operating Pressure	250 psig	(17.2 barg)
TMO:		
Max. Operating Temperature	400°F	(204°C)
PMA:		
Max. Allowable Pressure	250 psig	(17.2 barg)
TMA:		
Max. Allowable Temperature	400°F	(204°C)

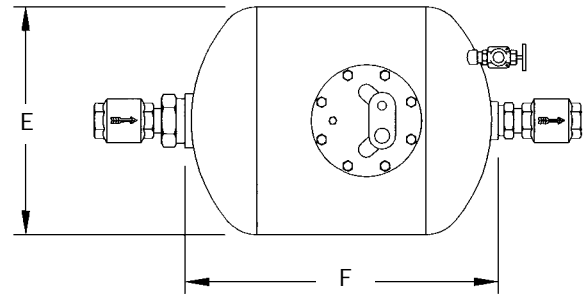
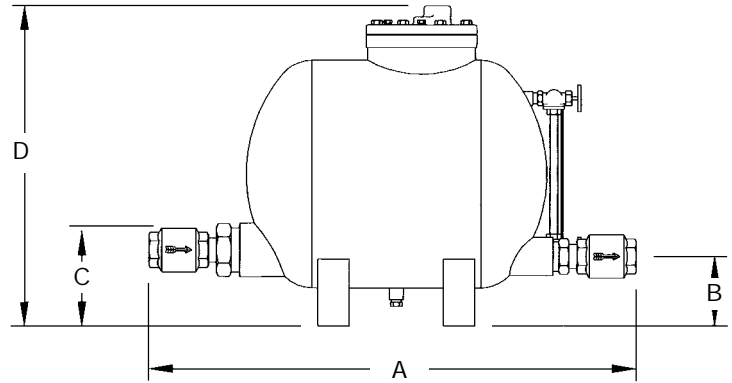
MATERIALS OF CONSTRUCTION

Tank Weldment	Steel
Trip Mechanism w/Flange	DI/Stl/SS
Gasket	Non-asbestos
Bolt, Hex Head	Steel
Nameplate	Aluminum
Drive Screw	Steel
Pipe Plug, 1/2" NPT	Steel
Water Level Gage	Bronze
Inlet Reducer	M. Iron
Inlet Nipple	Steel
Inlet Check Valve	Bronze/Stainless Steel
Outlet Reducer	M. Iron
Outlet Nipple	Steel
Outlet Check Valve	Bronze/Stainless Steel

OPERATING CHARACTERISTICS

Pump Discharge per Cycle:	8.8 - 11 Gal
Max. Instantaneous Discharge Rate:	90 GPM (w/2" outlet check)
Steam Consumption:	~3 lbs per 1000 lbs. of liquid pumped
Air Consumption:	~100 SCF per 1000 lbs. of liquid pumped
Recommended Filling Head:	12"

Canadian Registration # 1351.9



Exhaust outlet: 1" NPT
Motive inlet: 1/2" NPT

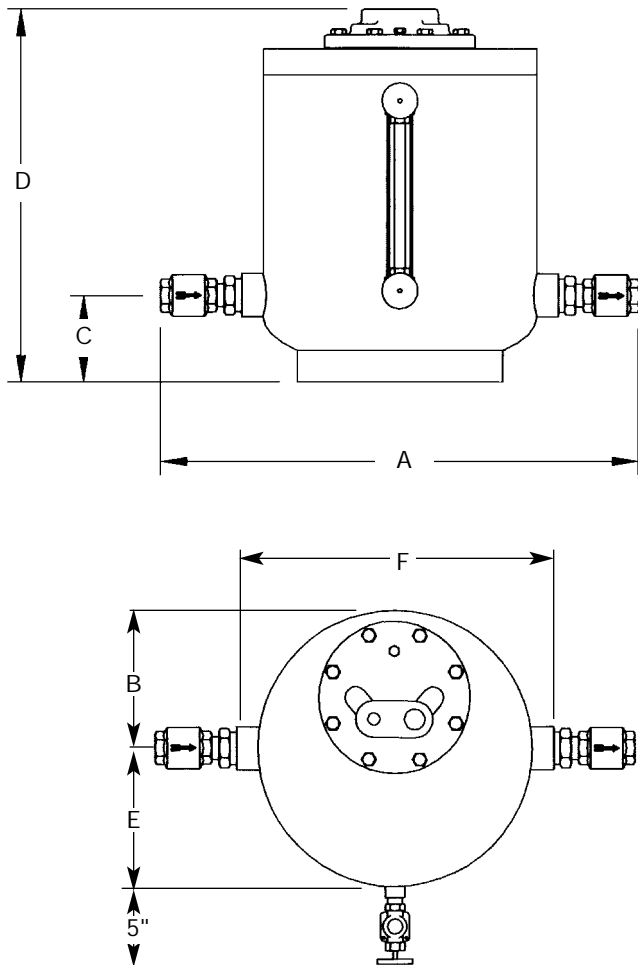
See Capacities on page 91

Connections:
1" x 1" to 3" x 2" Screwed

Dimensions							
Size	Inches (mm)						Weight lbs(kg)
	A	B	C	D ¹	E	F	
1" x 1"	34 3/4 (879)	5 1/2 (140)	6 (152)	25 1/4 (641)	18 (457)	25 (635)	174 (79)
1 1/2" x 1 1/2"	36 3/4 (933)	5 1/2 (140)	6 (152)	25 1/4 (641)	18 (457)	25 (639)	178 (81)
2" x 2"	37 3/4 (943)	5 1/2 (140)	6 (152)	25 1/4 (641)	18 (457)	25 (639)	183 (83)
3" x 2"	38 3/4 (971)	5 1/2 (140)	6 (152)	25 1/4 (641)	18 (457)	25 (639)	190 (86)

¹Allow additional 21" clearance for maintenance.

CONDENSATE COMMANDER LITTLE BOY PUMP SPECIFICATION



See Capacities on page 91

Connections:
1" x 1" to 1½" x 1½" NPT

Dimensions							
Size	Inches (mm)						Weight lbs(kg)
	A	B	C	D'	E*	F	
1" x 1"	26¾ (679)	8 (203)	5 (127)	21¼ (540)	9 (229)	17¾ (451)	145 (66)
1½" x 1½"	29½ (749)	8 (203)	5 (127)	21¼ (540)	9 (229)	17¾ (451)	155 (71)

*Add 5" for Water Gage.

'Allow additional 18" clearance for maintenance.

Pump shall be a pressure vessel drainer operated by steam, compressed air or other pressurized gas to 150 psig. Body shall be fabricated steel. Mechanism shall employ one spring operating in continuous compression. Spring shall be warranted for the life of the unit. When required, unit shall be equipped with an external cycle counter and sight glass.

MAXIMUM OPERATING CONDITIONS

PMO:		
Max. Operating Pressure	150 psig	(10.3 barg)
TMO:		
Max. Operating Temperature	400°F	(204°C)
PMA:		
Max. Allowable Pressure	150 psig	(10.3 barg)
TMA:		
Max. Allowable Temperature	400°F	(204°C)

MATERIALS OF CONSTRUCTION

Tank Weldment	Steel
Trip Mechanism w/Flange	DI/Stl/SS
Gasket	Non-asbestos
Bolt, Hex Head	Steel
Nameplate	Aluminum
Drive Screw	Steel
Water Level Gage	Bronze
Inlet Reducer	M. Iron
Inlet Nipple	Steel
Inlet Check Valve	Bronze/Stainless Steel
Outlet Reducer	M. Iron
Outlet Nipple	Steel
Outlet Check Valve	Bronze/Stainless Steel

OPERATING CHARACTERISTICS

Pump Discharge per Cycle:	4.2 - 5.1 Gal
Max. Instantaneous Discharge Rate:	60 GPM (w/1½" outlet check)
Steam Consumption:	~3 lbs per 1000 lbs. of liquid pumped
Air Consumption:	~100 SCF per 1000 lbs. of liquid pumped
Recommended Filling Head:	6"

Canadian Registration # 1353.92

CONDENSATE COMMANDER PUMP CAPACITY TABLE*

Motive Pressure		Back Pressure		Fill Head 6" Little Boy		Fill Head 12" Classic & Horizontal				Fill Head 24" Big Boy	Fill Head 12" Classic Duplex
psig	barg	psig	barg	1 X 1	1.5 X 1.5	1 X 1	1.5 X 1.5	2 X 2	3 X 2	4 X 4	3 X 2
250	17.24	40	2.76	-	-	2703	6392	10196	11537	-	23073
		60	4.14	-	-	3670	7203	7787	8551	-	17101
		80	5.52	-	-	3457	6071	6531	7105	-	14209
		100	6.90	-	-	3891	5278	5753	6202	-	12404
		120	8.28	-	-	3700	4730	5213	5587	-	11173
		150	10.34	-	-	3196	4074	4552	4842	-	9683
		175	12.07	-	-	2845	3624	4092	4331	-	8663
		200	13.79	-	-	2456	3152	3650	3847	-	7694
200	13.79	40	2.76	-	-	2503	5919	9441	10682	-	21364
		60	4.14	-	-	3398	6669	7210	7918	-	15835
		80	5.52	-	-	4021	5579	6110	6619	-	13238
		100	6.90	-	-	3741	4855	5403	5804	-	11607
		120	8.28	-	-	3286	4242	4768	5088	-	10177
		150	10.34	-	-	2741	3533	4058	4297	-	8593
		175	12.07	-	-	2151	2926	3476	3661	-	7321
		150	10.34	25	1.72	1814	5739	2314	5722	10376	12105
40	2.76			3058	4860	3386	7077	8465	9450	45382	18899
60	4.14			3127	4234	4464	6338	6995	7630	39757	15260
80	5.52			2620	3472	3763	4974	5607	6040	35452	12080
100	6.90			2261	2957	3168	4150	4743	5064	27971	10128
120	8.28			1935	2530	2669	3522	4156	4408	20613	8815
125	8.62	25	1.72	2470	5645	2942	6740	10712	12337	48101	24674
		40	2.76	3215	4619	3983	7197	7965	8836	44256	17672
		60	4.14	2788	3768	4066	5513	6220	6758	38625	13516
		80	5.52	2358	3117	3326	4416	5064	5432	33012	10863
		100	6.90	1920	2535	2656	3544	4216	4482	25862	8964
		115	7.93	1491	2151	1952	2976	3589	3788	17512	7575
100	6.90	15	1.03	2036	6211	2762	6393	11889	14241	47156	28482
		25	1.72	3132	5336	3763	7658	9818	11170	45212	22340
		40	2.76	3082	4323	4569	6603	7403	8164	42041	16327
		60	4.14	2534	3406	3612	4893	5641	6092	35589	12184
		80	5.52	1959	2620	2716	3681	4428	4721	27783	9442
75	5.17	15	1.03	2975	6022	3867	7978	11977	14038	46485	28075
		25	1.72	3340	4940	4649	7823	8914	10026	43084	20052
		40	2.76	2817	3891	4078	5723	6654	7273	40027	14546
		60	4.14	2003	2732	2786	3863	4721	5057	20002	10114
50	3.45	10	0.69	3701	6273	4692	9227	12492	14737	46092	29474
		25	1.72	2976	4250	4343	6387	7603	8421	39727	16843
		40	2.76	2053	2891	2863	4120	5172	5578	19899	11156
25	1.72	5	0.34	3872	6625	5825	10486	13760	16560	45329	33120
		10	0.69	3315	5063	4845	7774	9812	11193	39945	22385
		15	1.03	2751	4016	3950	6043	7657	8513	18694	17026
10	0.69	2	0.14	3894	6646	5610	10348	14520	17621	-	35242
		5	0.34	2945	4600	4150	6954	9708	11085	-	22170
5	0.34	2	0.14	2981	5115	4130	7602	11747	13781	-	27562

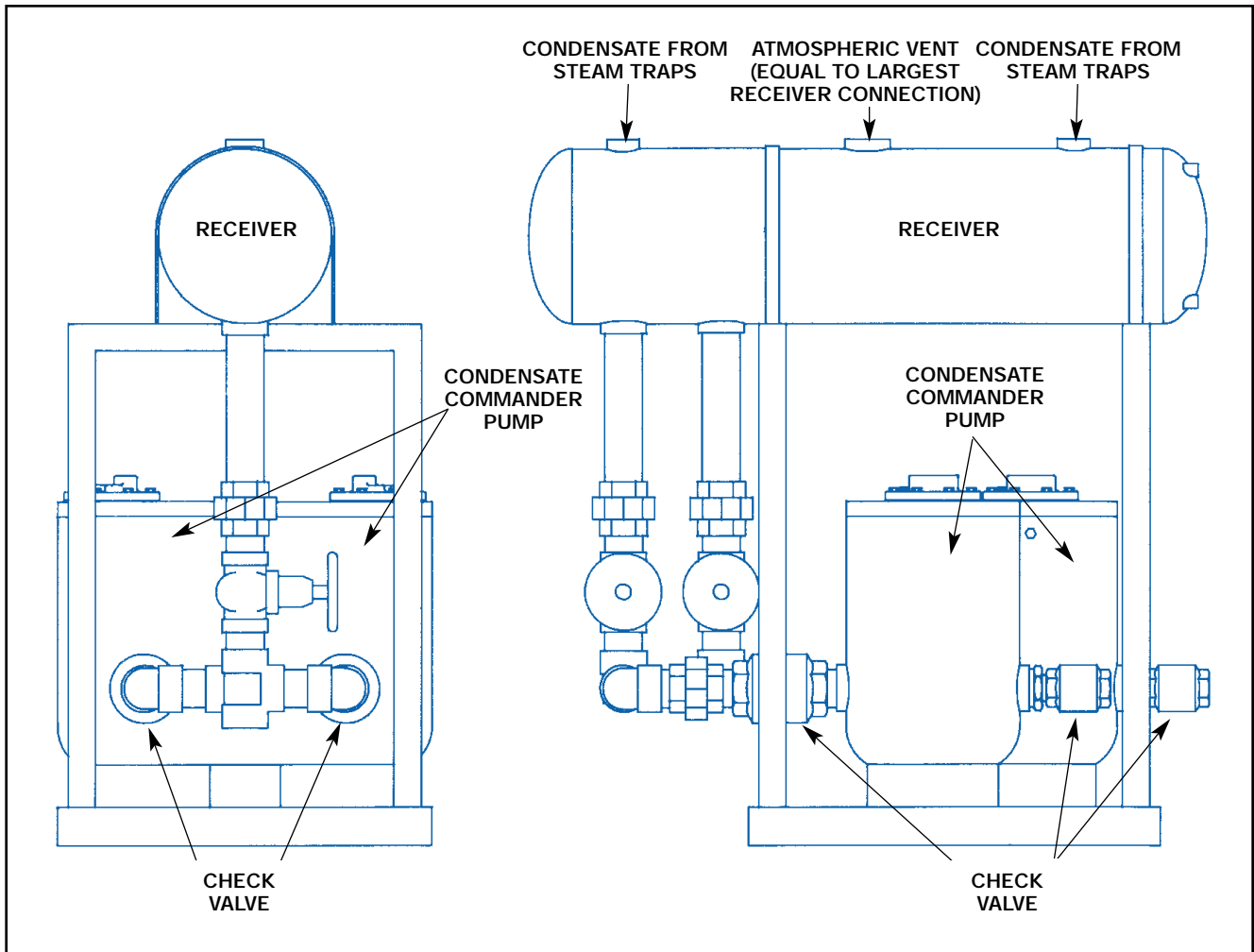
*Capacities shown are obtained with factory supplied check valves

For Kg/Hr multiply by .454

For other multiplex capacities, consult factory.

CONDENSATE COMMANDER PUMP SKID MOUNTED SYSTEM

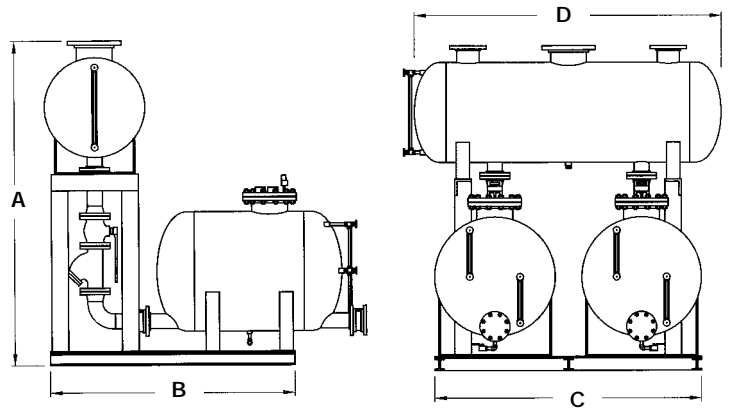
Where the condensate load exceeds the capacity of one Condensate Commander Pump, multiple pumps may be used in tandem. Skid mounted units may be simplex (one pump), duplex (two pumps), triplex (three pumps) or quadruplex (four pumps). The units are equipped with a receiver, Condensate Commander Pump(s) and all necessary piping fully connected and ready for use.



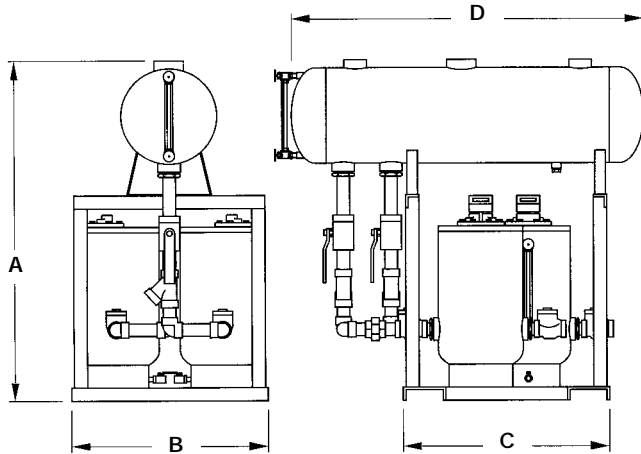
Typical Duplex Condensate Commander Pump Skid Mount System

The skid mount systems are designed to provide a complete condensate collection and condensate pump unit ready to pipe. All necessary connections are in place. The filling head dimension has already been determined.

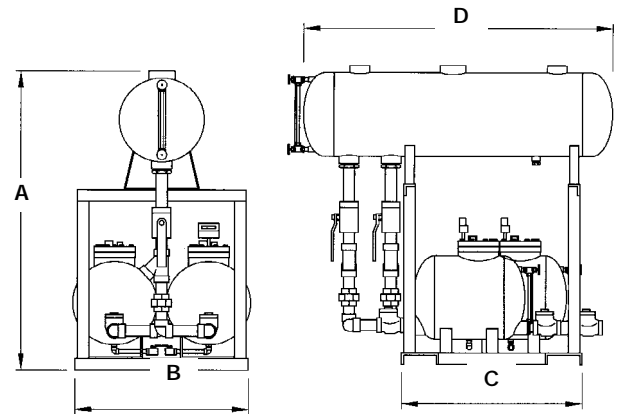
CONDENSATE COMMANDER PUMP SKID MOUNTED SYSTEM



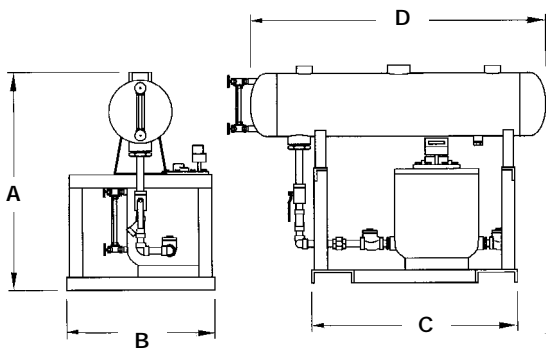
BIG BOY



CLASSIC VERTICAL



CLASSIC HORIZONTAL



LITTLE BOY

*The layout for the Big Boy Simplex is the same as the Classic Horizontal.

Dimensions							
Style	Config-uration	Receiver Gallons	Inches (mm)				Weight lb (kg)
			A	B	C	D	
Little Boy	Simplex	25	41 ½ (1054)	27 (686)	39 (991)	56 (1422)	435 (198)
Classic, Vertical	Simplex	25	58 ½ (1486)	27 (686)	39 (991)	56 (1422)	576 (262)
		65	64 ½ (1638)	27 (686)	39 (991)	66 ½ (1689)	635 (289)
Classic, Vertical	Duplex	65	64 ½ (1638)	36 (914)	39 (991)	66 ½ (1689)	1050 (477)
		80	66 ½ (1689)	36 (914)	39 (991)	68 (1727)	1095 (498)
Classic, Horizontal	Simplex	25	58 ½ (1486)	27 (686)	39 (991)	56 (1422)	596 (2713)
		65	64 ½ (1638)	27 (686)	39 (991)	66 ½ (1689)	655 (298)
Classic, Horizontal	Duplex	65	64 ½ (1638)	36 (914)	39 (991)	66 ½ (1689)	1095 (498)
		80	66 ½ (1689)	36 (914)	39 (991)	68 (1727)	1135 (516)
Big Boy	Simplex*	115	87 ¾ (2228)	50 (1270)	70 ½ (1791)	96 (2438)	1900 (864)
Big Boy	Duplex	250	97 ¾ (2482)	76 (1930)	80 (2032)	92 (2337)	3050 (1386)

CONDENSATE COMMANDER PUMP PRIMER

The SPENCE Condensate Commander belongs to a class of pressure operated pumps primarily intended to move condensate or other fluids without the use of electricity. When compared to conventional electrical pumps, the Condensate Commander is particularly suited to pumping "difficult" media such as high temperature condensate and corrosive fluids. Pressure operated pumps and the Condensate Commander in particular enjoy a reputation of long life with very little required maintenance. Generally these types of pumps, by eliminating rotating seals, electrical motors, and impellers, last five to ten times as long as conventional electrical pumps while eliminating most of the standard maintenance.

- Returns hot condensate conserving boiler feed water chemicals and reducing fuel cost associated with reheating boiler feed water.
- Pumps without requiring electrical service.
- Pump design provides safe operation for hazardous or explosive environments.
- Operates on steam, compressed air or gas from 5 psig to 250 psig depending on model.
- Capacities to 48,000 lbs./hr.

OPERATION

The Condensate Commander pumps by displacing fluid with steam or compressed gas. The float is connected to a linkage and spring that simultaneously actuates a motive valve and an exhaust valve. During the fill cycle the motive valve closes while the exhaust valve

opens, allowing condensate to fill the pump housing. When the float, rising with the entering fluid level, reaches the top of its stroke, the mechanism releases the spring, opening the motive and closing the exhaust valves. Steam or compressed gas then flows into the pump displacing the fluid. Check valves positioned at the inlet and outlet of the pump direct the fluid in the direction of the flow.

CHARACTERISTICS

Flow capacity is dependent on several parameters. Bearing in mind that that the Condensate Commander pumps in discreet, relatively consistent slugs of fluid, the total capacity will depend on how quickly the Commander cycles. Motive pressure available and resistance in the flow line are the obvious causative and limiting factors of capacity. Less obvious is the Cv of the check valves, pressure or head of the incoming fluid, resistance in the vent line, and characteristics of the motive gas used.

There is no "vacuum" side of a Commander pump. While there certainly is an inlet side, it is important to understand that the class of pumps the Condensate Commander belongs to does not draw or suck fluid into it. The media must flow by gravity into the pump. The greater the pressure and/or head, the greater the Cv of the inlet check, and to a lesser extent the greater the Cv of the exhaust vent, the faster the fill portion of the cycle will complete. With the fill portion completed the Commander mechanism will shut off the exhaust vent and open the motive valve. Steam or compressed

gas will now displace the fluid contained in the pump housing. Factors controlling the speed of the discharge portion of the cycle include pressure of motive steam or gas, outlet check Cv, downstream backpressure, and potentially temperature of flow media and/or ambient conditions if steam is utilized as the motive gas. This last component is often overlooked, but the fact that steam will condense and reduce actual motive pressure could become significant in some applications.

RECEIVER

Conventional electric condensate pumps typically require a receiver sized to allow condensate to cool and vent flash steam. This is necessary, as the suction side of the pump will lower pressure potentially allowing the hot condensate to boil as it is drawn past the impeller. This action, known as cavitation, will quickly erode the impeller. While the temperature of the flow media is generally not a concern it must be remembered that the Condensate Commander pumps in discrete cycles. While the Commander is expelling fluid the body is pressurized and cannot receive fluid. If fluid is draining to the Commander in a continuous fashion, a receiver sized to accommodate the maximum volume expected during the time required to discharge the commander must be utilized. Failure to do so will back condensate up and possibly increase pressure, potentially causing problems.

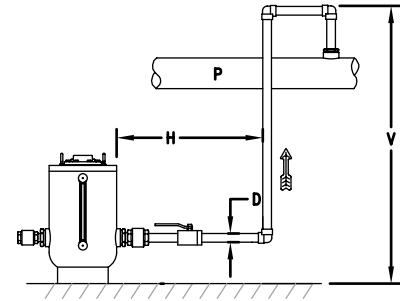
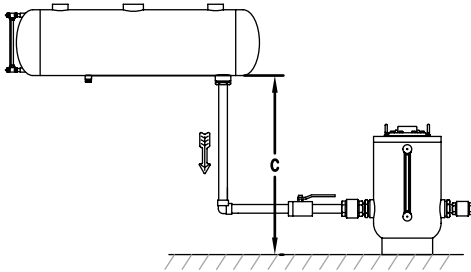
CONDENSATE COMMANDER PUMP CHECKLIST

(A) Sizing Requirements

1. What is the Fluid to be Pumped?
2. What is the fluid's Specific Gravity (i.e.: water = 1)?
3. What is the fluid's Fluid Temperature?
4. *What is the required Flow Rate?
5. What is the Clearance (C)?
6. Does the system have a Modulating Control Valve?

°F
<input type="checkbox"/> lb/hr <input type="checkbox"/> GPM
feet

Yes No



(B) Installation Requirements

Pump Connections: NPT Flanged Other

*Motive Gas: Air Steam Other

*Total Return Header Pressure (P): Downstream Pipe Size (D):

Horizontal Run to Return Header (H): Vertical Lift to Return Header (V):

Can pump be vented to atmosphere? Yes No If "No", please explain _____

Does the system have an existing flash tank or receiver tank? Yes No

If "Yes", is it vented to atmosphere or under pressure? Atmospheric Pressure

(C) Materials & Accessories

Tank Material: Carbon Steel (STD) Stainless Steel Other

Tank Style: Little Boy Classic Vertical Classic Horizontal Big Boy

Receiver Size: 25 65 80 115 250

Number of Pumps: One Two Three Four

Check Valve: Bronze (STD) Stainless Steel Other

Options: Gage Glass Ass'y on Pump Cycle Counter Motive Pressure PRV[†]

Gage Glass Ass'y on Receiver Insulation Jacket Safety Relief Valve[†]

Skid Mounted Package Pressure Gages[†] Temperature Gages[†]

* Required Fields

[†]Non-standard items.

CONDENSATE COMMANDER PUMP SELECTION GUIDELINES

To correctly select a Condensate Commander Pump that meets the requirements of the application, some specific data is needed.

1. Condensate load in lbs/hr. *
2. Motive pressure available (air or steam).
3. Total lift in feet (hydraulic head).
4. Pressure in return piping.
5. Filling head available in inches (recommended minimum of 12 inches).

EXAMPLE 1, Steam motive:

1. Condensate Load: 4,000 lb/hr.
2. Steam pressure available: 50 psig
3. Total vertical lift: 20 ft.
4. Pressure in return piping: 10 psig
5. Filling head available: 12 inches
For filling head other than 12 inches, multiply capacity by correction factor found in Table 3.

SOLUTION:

1. Calculate total back pressure. Back pressure is the total head in feet multiplied by 0.433 plus the pressure in the return piping.

$$(20 \text{ ft.} \times .433) + 10 \text{ psig} = 19$$

2. Select from the Pump Capacity Table a pump with 50 psig motive pressure and greater than 19 (25) psig total back pressure: a 1" x 1" Condensate Pump.

EXAMPLE 2, Air motive:

(conditions same as Example 1)

1. To determine correction factor for air, divide total back pressure from Example 1 by motive pressure available (BP÷MP).

$$19 \div 50 = 38\%$$

Correction factor from Table 2 is 1.10

2. Divide required condensate load by correction factor.

$$4000 \div 1.10 = 3636$$

Select from the Pump Capacity Table (Table 1) a 1" x 1" Condensate Pump.

*CONVERSIONS:

GPM to lbs/hr.: GPM x 500

Lbs/hr to GPM: Lbs/hr. x .002

Lbs/hr to KG/hr: Lbs/hr. x .454

Operating Pressure Inlet (psig)	Total Backpressure (psig)	Stainless Steel Check Valves				
		1"x1"	1½"x1½"	2"x2"	3"x2"	3"x2" Duplex
5	2	4130	7602	11747	13781	27562
10	5	4150	6954	9708	11085	22170
	2	5610	10348	14520	17621	35242
25	15	3950	6043	7657	8513	17026
	10	4845	7774	9812	11193	22386
	5	5825	10486	13760	16560	33120
50	40	2863	4120	5172	5578	11156
	25	4343	6387	7603	8421	16842
	10	4692	9227	12492	14737	29474
75	60	2786	3863	4721	5057	10114
	40	4078	5723	6654	7273	14546
	15	3867	7978	11997	14038	28076
100	80	2716	3681	4428	4721	9442
	60	3612	4893	5641	6092	12184
	40	4569	6603	7403	8164	16328
	15	2762	6393	11889	14241	28482
125	115	1952	2976	3589	3788	7576
	100	2656	3544	4216	4482	8964
	80	3326	4416	5064	5432	10864
	60	4066	5513	6220	6758	13516
	40	3983	7197	7965	8836	17672
	25	2942	6740	10712	12337	24674
150	120	2669	3522	4156	4408	8816
	100	3168	4150	4743	5064	10128
	80	3763	4974	5607	6040	12080
	60	4464	6338	6995	7630	15260
	40	3386	7077	8465	9450	18900
	25	2314	5722	10376	12105	24210

TABLE 2 – Capacity Correction Factors for Motive Gas Supply other than Steam

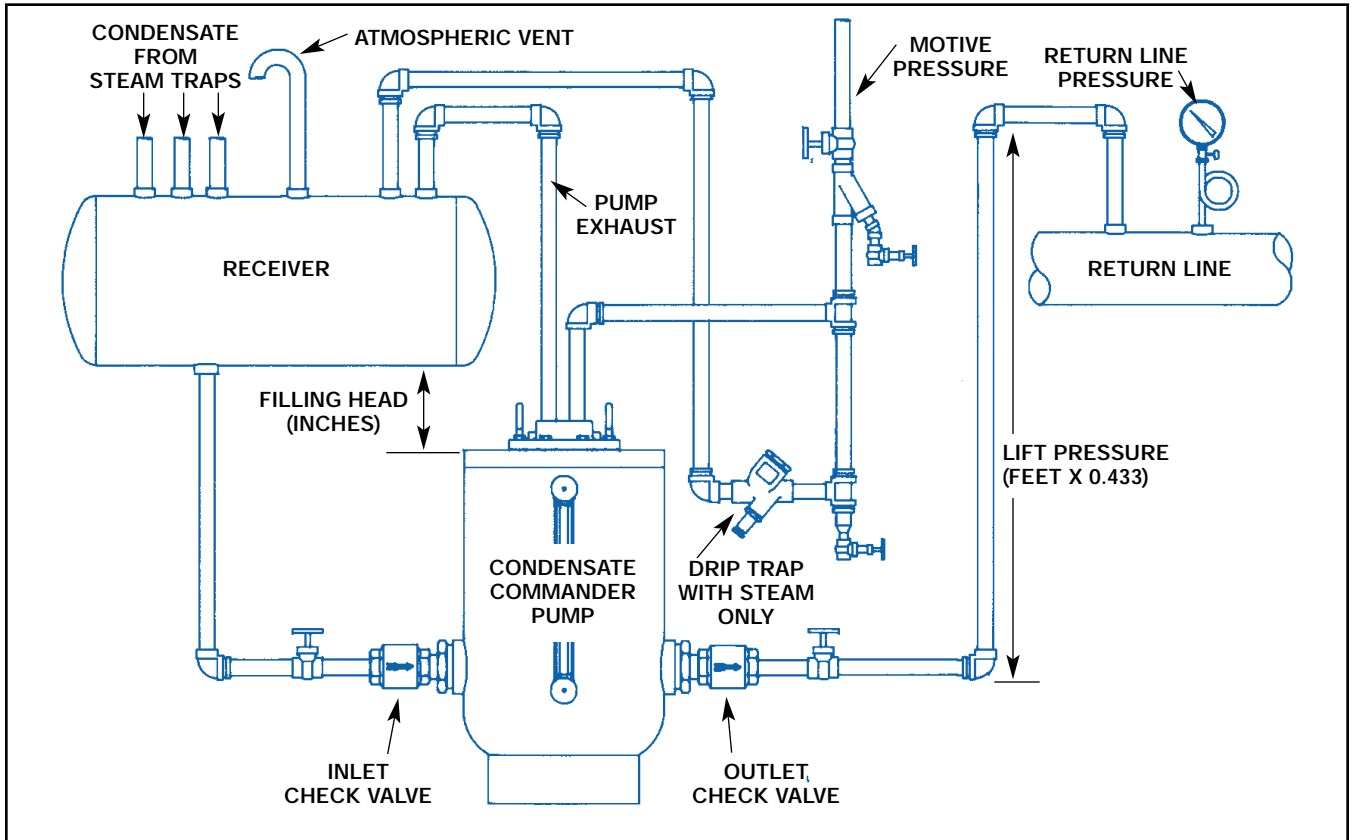
% Back Pressure vs. Motive Pressure (BP ÷ MP)								
10%	20%	30%	40%	50%	60%	70%	80%	90%
1.04	1.06	1.08	1.10	1.12	1.15	1.18	1.23	1.28

TABLE 3 – Capacity Correction Factor for Filling Head Variation

Filling Head (inches)	Check Valve and Piping Size Inches				
	1"	1½"	2"	3" x 2"	4"
6	0.70	0.70	0.70	0.84	—
12	1.00	1.00	1.00	1.0	0.7
24	1.20	1.20	1.20	1.08	1.0
36	1.35	1.35	1.35	1.20	1.1
48	—	—	—	—	1.15

TYPICAL INSTALLATION OF A CONDENSATE COMMANDER PUMP WITH A VENTED RECEIVER

Condensate is being pumped from a vented receiver to an overhead elevated condensate return line that may contain pressure. For safety, the pump exhaust and receiver should be vented to atmosphere if steam is used for the motive pressure.



To efficiently drain condensate from an open system, the vented receiver should be horizontally located a minimum of twelve inches above the pump. To allow for sufficient volume of condensate and flash vapor, the receiver must be sized adequately to permit the complete separation of flash vapor from condensate. The receiver may be either an ASME coded tank or a length of large diameter pipe.

Sizing Example: Condensate Load = 10,000 lb/hr. Traps are draining a Heat Exchanger running at 100 psig and the receiver is vented to atmosphere. Table 5 shows 13.3% of the condensate flashes to steam, so total flash steam = 10,000 x .133 = 1,333 lb/hr flash steam. Table 4 indicates a vent size of 6" and a receiver size of 16" Dia. x 36" long.

TABLE 4 - Vented Receiver Sizing
Receiver size based on 36" OAL

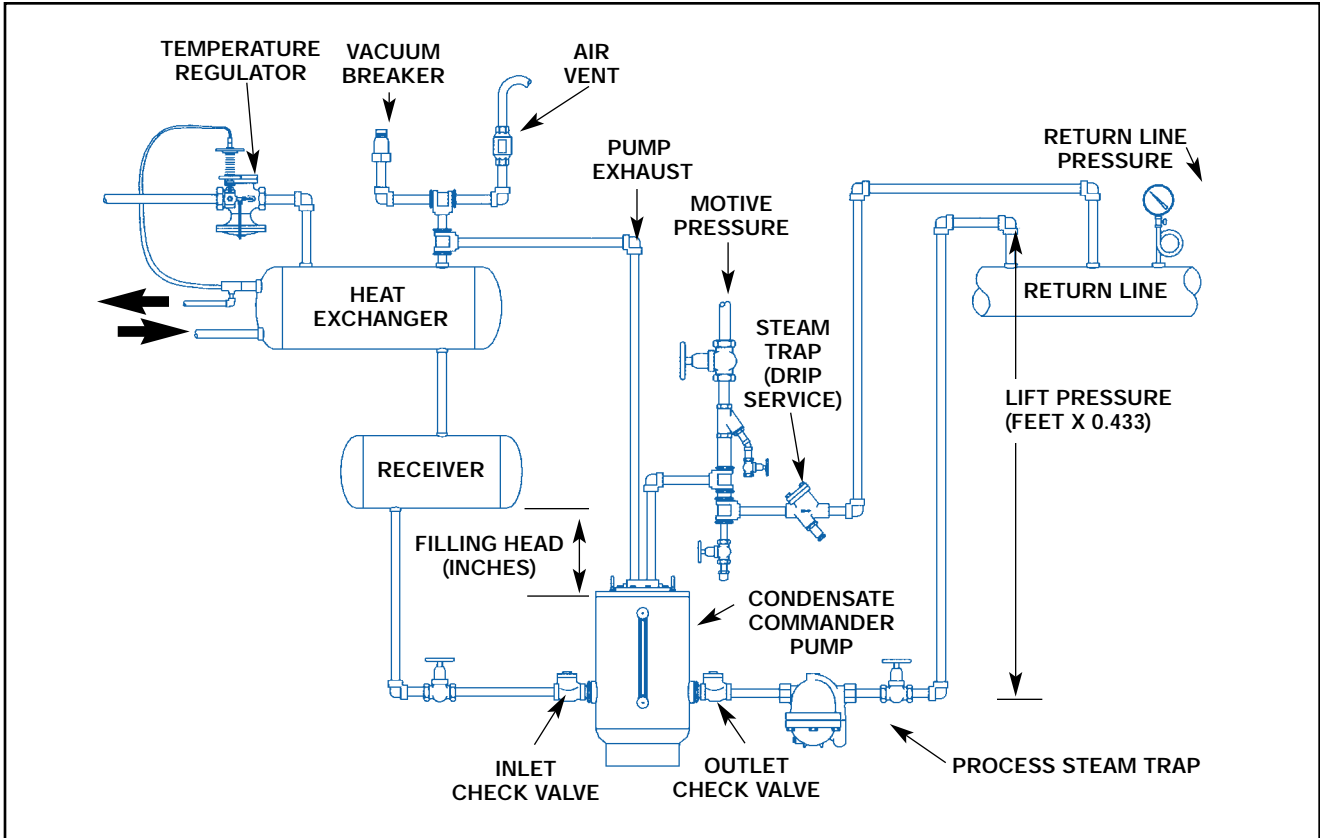
Flash Vapor (lbs/hr)	Pipe Diameter (inches)	Vent Line Size (inches)
75	4	1½
150	6	2
300	8	3
600	10	4
900	12	6
1200	16	6
2000	20	8

TABLE 5 - Percent of Flash Steam Formed

Initial Steam Pressure psig	Sat. Temp. °F	Receiver Tank Pressure, psig							
		0	5	10	20	30	40	50	75
10	239	3.0	2.0	0	0	0	0	0	0
25	267	5.7	4.1	3.0	1.0	0	0	0	0
50	298	9.0	7.4	6.2	4.3	2.6	1.0	0	0
75	320	11.3	10.8	8.6	6.7	5.0	3.7	2.5	0
100	338	13.3	11.7	10.6	8.7	7.0	5.7	4.6	2.2
125	353	14.8	13.4	12.2	10.3	8.7	7.4	6.3	3.8

TYPICAL INSTALLATION OF A CONDENSATE COMMANDER PUMP IN A CLOSED SYSTEM

Condensate is flowing from a pressurized system to another pressurized system with greater pressure. Both the inlet and return line may be elevated. This installation will also service a high capacity process installation using a pressurized receiver.



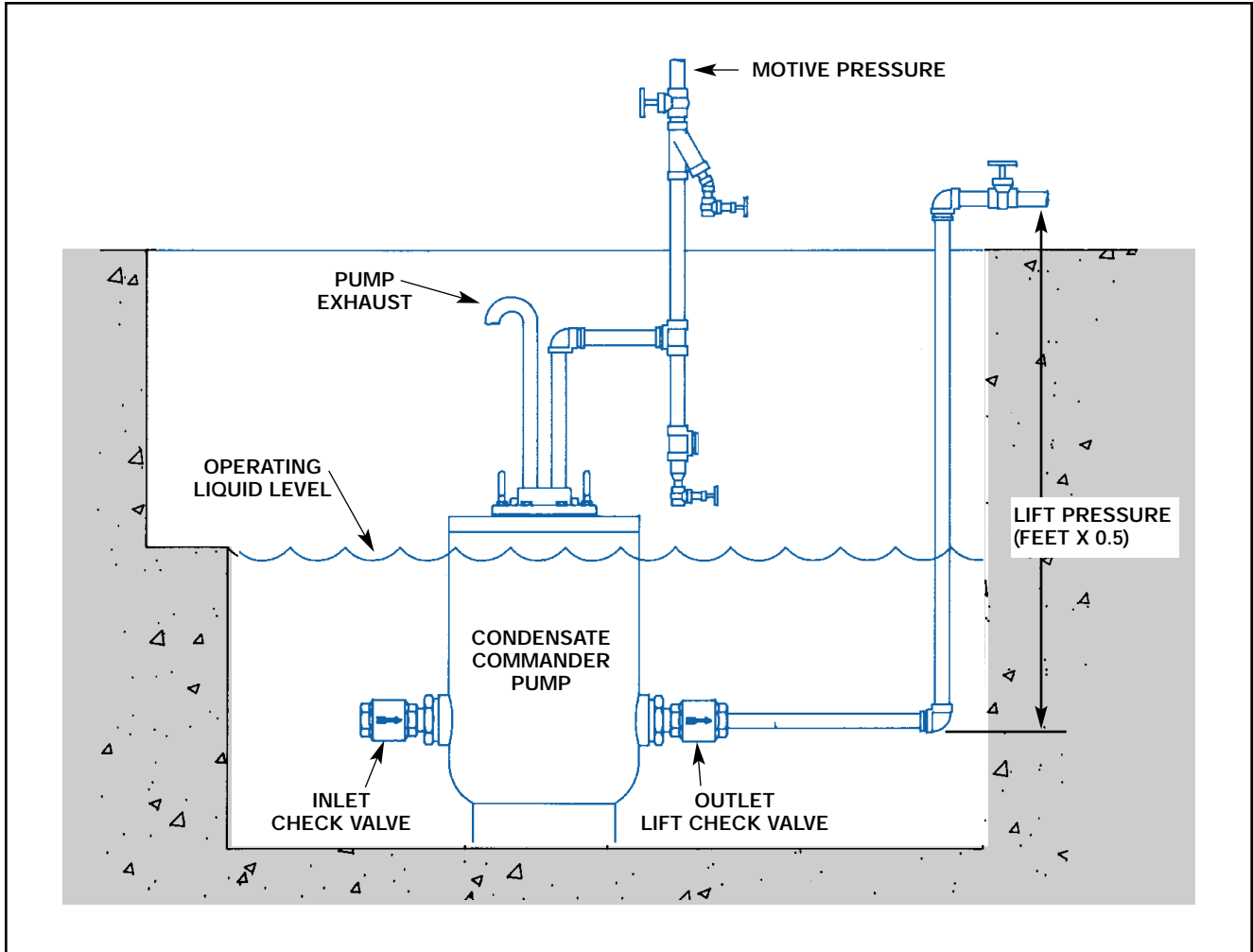
To efficiently drain condensate in a closed system, the receiver should be horizontally located a minimum of twelve inches above the pump to allow for sufficient condensate collection. The receiver must be sized to provide the minimum condensate capacity required to prevent equipment flooding. The receiver may be either an ASME coded tank or a length of large diameter pipe. A safety relief valve may be required. Consult factory for capacity when a steam trap is utilized after the pump.

TABLE 6 - Inlet Receiver Sizing

Liquid (lb/hr)	Receiver Pipe Size (feet)				
	3"	4"	6"	8"	10"
>500	2	—	—	—	—
1000	2	—	—	—	—
1500	3	2	—	—	—
2000	3.5	2	1	—	—
3000	—	3	2	—	—
4000	—	4	2	1	—
5000	—	6	3	2	—
6000	—	—	3	2	—
7000	—	—	3	2	—
8000	—	—	4	2	—
9000	—	—	4.5	3	2
10,000	—	—	5	3	2
11,000	—	—	5	3	2

TYPICAL INSTALLATION OF A CONDENSATE COMMANDER PUMP IN A SUBMERGED APPLICATION

Liquid is pumped from a sump, manhole or other low-lying area where it may accumulate. For back pressure applications, multiply the total vertical lift by .5 plus any back pressure in the return line.



Condensate Commander Pumps can pump liquids from low lying areas such as manholes, steam pits or any area that may collect liquid or flood. The non-electric feature makes it a good choice if compressed air or any other gas is readily available for use as the driving force. Steam is not recommended as a motive vapor because a submerged pump may quickly condense the motive steam, potentially reducing performance.

Applications

- Steam Systems (up to 1500 PSIG superheat)
- Dowtherm
- Process Fluids & gases to 3000 PSIG CWP (ie: Acids, Caustics Nitrogen, etc.)
- Manifolds on Steam Traps, Valves, Pumps & Compressors
- Nuclear Power Plants
- Hydraulic Fluids/ Hot Oils

UNIFLEX

Carbon/Stainless Steel Pipe Couplings

Pressures To 3000 PSIG
Temperatures to 850°F

Reduced Energy Costs

Spiral wound gasket assures long life and leak tight seal.

Accepted where Standard Unions are Inadequate

Seal equivalent to flange connections meets fugitive emissions needs.

Suitable for Most Services

Carbon steel and 316L stainless steel housings and a variety of gasket materials available to meet demands of most applications.

No Welding Damage to Seal

Because seal is installed after welding, the danger of damaging seal is eliminated.

Sizes to Meet Most Requirements

Available in 1/2" to 2", socketweld or threaded for a wide variety of piping needs.

Reduced Labor Costs

No need to replace union housing or spring pipe during make-up or disassembly which reduces time by more than 60%.

Reduced Cost of Materials

Only a change of gasket is required when disassembled.

Reduced Dollars in Inventory

Only a few gasket kits required. Components may be stocked and replaced individually because mated parts are not needed.

Components Interchangeable

All components within each size class are fully interchangeable. End connections can be socket weld, threaded or a combination of both.

Meets MSS-SP-83 for 3000 pound unions.

UNIFLEX COUPLINGS AND GENERAL USE VALVES

Reduce your maintenance and stocking costs with **NICHOLSON**'s Uniflex Pipe Coupling. Uniflex has a spiral wound gasket that has successfully solved frequent leakage, intensive maintenance and stocking difficulties associated with ground joint pipe unions. A spreadsheet program is available upon request which calculates guaranteed savings when using Uniflex. **NICHOLSON** innovations set the standard.



UNIFLEX STEEL/STAINLESS PIPE COUPLINGS

Pressures To 3000 PSIG (207 barg)

Temperatures to 850°F (454°C)

No Energy Losses — from expensive steam and process fluid leaks. A spiral-wound gasket ensures a leak-tight seal.

Lower Maintenance/Labor Costs — Replacement of the union housing is eliminated. Only a change of gasket is required when the Uniflex Coupling is disassembled. No need to spring the pipe during make-up or disassembly. It is less costly to make and break than flanges.

Lower Inventory Costs — Only a few Uniflex Pipe Couplings and gasket kits in each size are required to back up installations. One Uniflex satisfies all pressure series of flanges in pipe sizes 1/2" to 2".

Ease of Installation — The gasket is held firmly in place with a patented retainer. There is no danger of damaging the seal during installation as it is fully protected from overtorquing.

Welded Piping Systems — With the gasket removed while welding coupling into the piping, the danger of damaging the seal is eliminated. Costly removal of sections of pipe to replace leaky unions is eliminated.

Component Interchangeability — All components of the Uniflex Couplings, in each size class, are fully interchangeable. End connections can be socket weld, threaded, or a combination of both.

APPLICATIONS

- Steam Systems—up to 1500 PSIG Superheat
- Dowtherm
- Variety of process fluids and gases to 3000 PSIG CWP, i.e.: Acids, Caustics, Nitrogen, etc.
- Steam Trap, Valve, Pump & Compressor Manifolds
- Nuclear Power Plants
- Hydraulic Fluids/Hot Oils

OPTIONS

- Teflon Gasket Filler
- Type 347 SS, Type 316 SS, Monel, Inconel 600, Hastalloy, Nickel Gasket Windings (other materials available on request)

Canadian Registration # 0A0583.9C

MODELS

- **SUA-T**—Threaded Carbon Steel
- **SUA-SW**—Socketweld Carbon Steel
- **SUASS-T**—Threaded Stainless Steel
- **SUASS-SW**—Socketweld Stainless Steel
- **SUG**—Gasket Kit includes 10 gaskets.
- **SUGR**—Gasket Kit includes 10 gaskets and 10 retaining rings

Call or visit our website for **FREE** sample and cost savings spreadsheet.

Installation Tip: Use UNIFLEX in all Regulator and Trap Stations through 2" to simplify future changeouts.

OPERATION

The Uniflex Pipe Coupling (SUA) has successfully solved frequent leakage, intensive maintenance and stocking difficulties associated with ground joint-pipe unions.

The SUA is a modified forged steel or stainless steel pipe union utilizing a Spiral-Wound Gasket

to provide a leak-tight joint. This design, similar in principle to flange joints, has been proven in the field for many years. Because the joint seal is formed by the replaceable gasket (not a ground joint finish), failures caused by poor mating surfaces are eliminated. Components may be stocked and replaced individually because mated parts are not required for sealing.

UNIFLEX STEEL/STAINLESS PIPE COUPLINGS

SPECIFICATION

Union shall be of the straight-through design with connections oppositely aligned, suitable for either horizontal or vertical piping installations. Union shall meet standards of MSS SP-83 for 3000 lb. unions. Connections shall be either screwed or socketweld and union shall have threaded nut. Gasket shall be of the spiral wound design and a retainer shall be utilized to locate and hold gasket during installation.

Union housing shall be forged steel ASTM A105 and have a pressure rating of 3000 PSIG at 100°F or type 316L stainless steel and have a pressure rating of 2430 PSIG at 100°F. Gasket winding shall be type 304 stainless steel with filler material of graphite. Gasket retainer shall be of type 316 stainless steel.

MAXIMUM OPERATING CONDITIONS

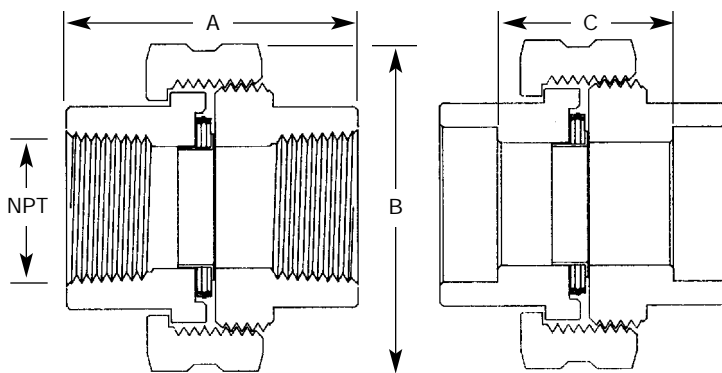
PMO: Max. Operating Pressure see Chart
TMO: Max. Operating Temperature see Chart

MATERIALS OF CONSTRUCTION

Housing: Forged Carbon Steel, ASTM-A-105 or Type 316L SS
Gasket: Spiral wound 304 Stainless w/graphite filler
Gasket Retainer: Type 316 Stainless Steel

ORDERING NOTE: If ordering different connection types (SW and NPT) on each end, the female end should be specified first.

Ex.: SUA-T (SW / NPT) = SW female / NPT male.



Uniflex Model SUA-T

Uniflex Model SUA-SW

Connections:
1/2"-2" NPT or socketweld

Dimensions				
Pipe Size	Inches (mm)			Weight Lbs (kg)
	A	B	C	
1/2"	2.0 (51)	1.8 (46)	.9 (24)	0.8 (.36)
3/4"	2.2 (56)	2.2 (56)	1.1 (29)	1.2 (.55)
1"	2.4 (62)	2.6 (65)	1.1 (29)	1.6 (.73)
1 1/4"	2.8 (71)	3.0 (77)	1.4 (35)	2.5 (1.2)
1 1/2"	3.0 (76)	3.4 (86)	1.5 (38)	3.3 (1.5)
2"	3.4 (86)	4.1 (103)	1.6 (41)	4.7 (2.2)

Average weights listed—actual weights may vary slightly

Temperature/Pressure Ratings†		
Temperature	Pressure (PSIG) Carbon Steel	Pressure (PSIG) 316L SS
100°F	3000 (-20°F*)	2430 (-325°F*)
200°F	2735	2050
300°F	2655	1835
400°F	2565	1670
500°F	2425	1545
600°F	2220	1460
700°F	2155	1390
800°F	—	1330
850°F	—	1300

*Minimum recommended temperature
†For 3000 lb. unions from MSS SP-83.



TYPE D & D2 DIFFERENTIAL PRESSURE VALVE

SIZES 1/4" – 1/2"
PRESSURES to 600 PSIG at 750°F

- Self-contained
- Direct Operated
- Normally Open
- Packless Construction
- Accurate Regulation Unaffected by Service Conditions
- Easy In-line Maintenance
- Five Spring Ranges for Improved Control
- Utilizes Many Standard D/D2 Pilot Components

APPLICATION DATA

- Pressure Regulating for Steam Distribution
- Regulating for Fluid, Gas and Vapor Process Control
- Processes with Small, Relatively Steady Flow Rates

VALVE RATINGS

Construction	Pressure PSIG (bar)	Temperature °F (°C)
Cast Iron	250 (17.2)	@ 400 (204)
Cast Steel	600 (41.4)	@ 750 (400)

SPRING PRESSURE RANGES (PSIG)

TYPE D	TYPE D2
3-20	100-300
5-50	
10-100	
20-150	

Canadian Registration # OC 0591.9C

Installation Tip: Add Uniflex Pipe Coupling for ease of maintenance
SEE PAGE 102

MODELS

- **TYPE D VALVE** — ±1 PSI control of delivery pressure between 3 and 150 PSI
- **TYPE D2 VALVE** — ±2 PSI control of delivery pressure between 100 and 300 PSI

OPTIONS

- Enclosed Spring Chamber Handwheel
- Adjusting
- Composition Disc
- Locking Device
- Wall Bracket

TYPICAL CONFIGURATIONS

PRESSURE REDUCINGTYPE D VALVE
PRESSURE REDUCINGTYPE D2 VALVE

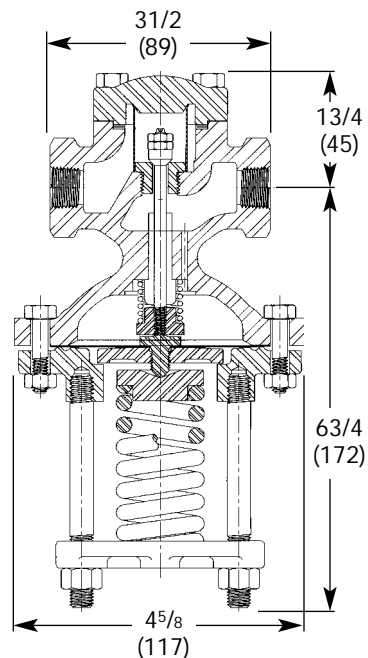
TYPE D & D2 DIFFERENTIAL PRESSURE VALVE

SPECIFICATION

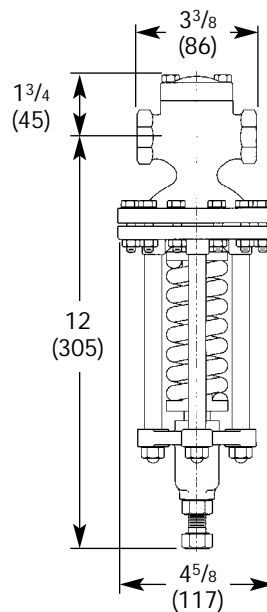
The Valve shall be of normally open design with packless construction. A strainer Screen shall be built into the valve inlet. The valve shall be single- seated, spring loaded and diaphragm actuated.

MATERIALS OF CONSTRUCTION

Body, Cast IronASTM A126 CI B
 Body, Cast SteelASTM A216 GR. WCB
 Stem303 St. Stl. ASTM A582 COND A
 Disc440 St. St. ASTM A276-75 COND A
 Seat420 St. Stl ASTM A276 COND A
 GasketNon-Asbestos
 Diaphragm301 St. Stl. MIL-5-5059C
 SpringInconel



D VALVE
7.3 LBS.
(3.3 KG)



D2 VALVE
10.6 LBS.
(4.8 KG)

NOTES:

AIR TRAPS/ LIQUID DRAINERS

NICHOLSON's Air Traps and Liquid Drainer Line continues our tradition of offering high value with traditional traps while simultaneously pushing the performance envelope with leading edge technology. **NICHOLSON** innovations set the standard.

DRAIN-AIR & MINI-DRAINS



Condensate Removal from Air Systems
Pressures To 600 PSIG (41.4 barg)
Temperatures to 220°F (104°C)

Automatic and Positive Drain — Effectively removes condensate from compressed air systems with minimum air loss and rapid shutoff on no load conditions.

Reliable — Only one moving part.

Low Maintenance Cost — No adjustments necessary. Replaceable cartridge for in line repair and/or cleaning.

Long Service Life — Stainless Steel internals.

Freezeproof — Will not freeze when installed in vertical position with muffler removed.

Quiet Operation — Meets OSHA noise standards.

Simplifies Startup — No need to drain air lines through manual valves or petcocks. Top performance is reached without waiting for system to purge.

Sized for Most Applications — Drain-Air available in 3/8" and 1/2"; Mini-Drain available in 1/8" and 3/8".

APPLICATIONS

Drain-Air

- Air Header Drainage (pocket risers, end of line)
- Air Station or Location where petcock is used for blowdown, collecting wells, separators.

Mini-Drain

- Pneumatic Tools
- Air Filters
- Pneumatic Valves

Canadian Registration # OE0591.9C

MODELS

- **Drain Air**—Forged body w/SS internal mechanism & nylon muffler
- **Mini Drain**—All SS integral body w/nylon muffler

Note: Pneumatic mufflers are available separately.

OPERATION

A simple disc is used with no linkage or close fitting parts to eliminate problems found in ordinary small float or piston-operated devices used in drip legs on air lines. Disc will lift off seat on a periodic time cycle, allowing moisture to be discharged and atomized through the muffler. Positive action of the disc assures reliable condensate removal with

minimum loss of air and rapid shutoff on no load condition. Intermittent discharges atomize condensate to avoid messy accumulations produced by other devices. Highly effective, specially designed muffler eliminates noise and diffuses moisture so that discharge drain piping is usually unnecessary. Freeze proof when mounted in vertical position with outlet facing down and muffler removed.

DRAIN-AIR & MINI-DRAINS

SPECIFICATION

The liquid drain trap shall be of thermodynamic design with screwed NPT connections. Internal mechanism shall be stainless steel with hardened working surfaces. A pneumatic muffler shall be employed to reduce exhaust sound pressure level.

MAXIMUM OPERATING CONDITIONS

PMO: Max. Operating Pressure	600 psig	(41.4 barg)
TMO: Max. Operating Temperature	220°F	(104°C)
PMA: Max. Allowable Pressure	600 psig	(41.4 barg)
TMA: Max. Allowable Temperature	800°F	(426°C)

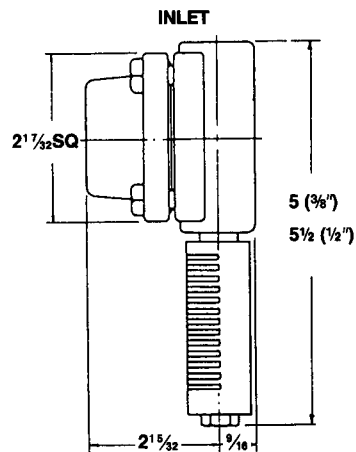
MATERIALS OF CONSTRUCTION

DRAIN-AIR

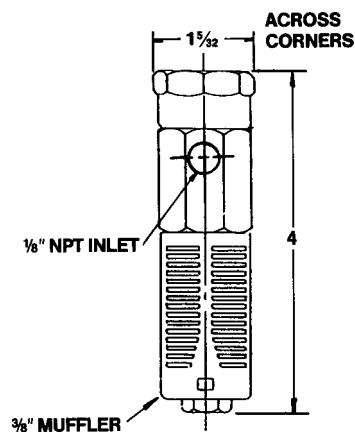
- Body & Cover:ASTM A105 Forged Steel
- Celtron® Cartridge:416 Stainless Steel
w/hardened disc & seat
- Bolts:High temperature alloy
- Cover Gasket:347 Stainless Spiral-wound
w/graphite filler
- Integral Strainer:304 Stainless Steel
- Muffler:Nylon Housing, Aluminum Screen
- Connections:3/8"-1/2" NPT

MINI-DRAIN

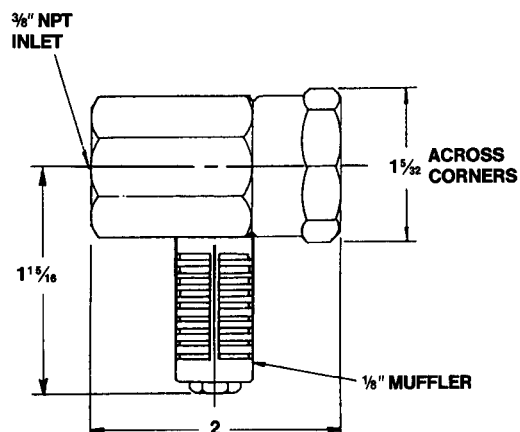
- Cap, Seat & Disc:416 Stainless, Hardened
- Muffler:Nylon Housing, Aluminum Screen



3/8" & 1/2" DRAIN-AIR
2.3 LBS.

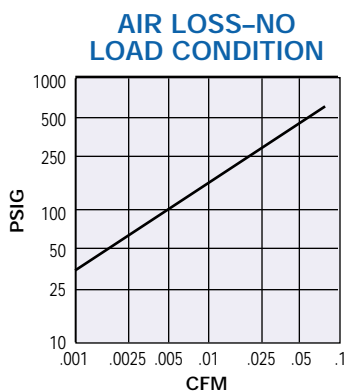
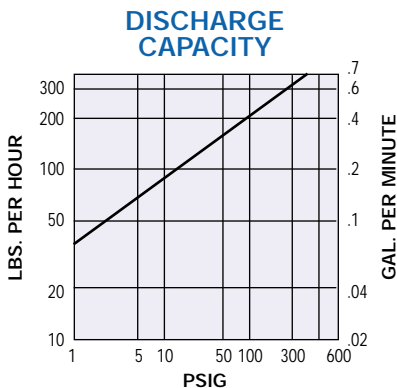


1/8" MINI-DRAIN
.9 LBS.



3/8" MINI-DRAIN
.9 LBS.

Connections: 1/8"-3/8" NPT



TAV SERIES THERMOSTATIC AIR VENT

Pressures To 650 PSIG (44.8 barg)
Temperatures to 750°F (400°C)



Sealed Stainless Steel Body — Lightweight, compact and corrosion resistant. No bolts or gaskets. Eliminates body leaks.

Self Centering Valve — Leak tight shutoff. Improved energy savings. Assembly of actuator and valve to impingement plate allows valve to self-align with center of valve seat orifice. Provides long lasting valve and seat.

Temperature Sensitive Actuators — One moving part. Stainless Steel, fail open, welded actuator for maximum corrosion, thermal and hydraulic shock resistance.

Thermal and Hydraulic Shock Resistant — Impingement plate plus welded construction prevent damage to actuator.

Hardened Stainless Steel Valve and Seat — Long life. Lapped as a matched set for steam tight seal.

Inexpensive — Low initial cost.

Maintenance Free — Sealed unit. Replacement traps cost less than repair of more expensive in-line repairable vents.

Directional Discharge — Pipe thread erosion prevented by directing discharge to center of pipe.

Guaranteed — Guaranteed for 3 years against defects in materials or workmanship.

APPLICATIONS

- Platen Presses
- Plating Tanks
- Sterilizers
- Tire Presses
- Cooking Equipment
- Laundry Equipment
- Other Process Equipment

Canadian Registration # OE0591.9C

MODELS

- TAV—High capacity w/welded SS actuator

OPERATION

Thermal actuator is filled at its free length with a liquid having a lower boiling point than water. As assembled, valve is normally open. On startup, air passes through vent. As air is eliminated, hot steam reaches vent and the thermal actuator fill vaporizes to a pressure higher than line pressure. This forces

valve into seat orifice to prevent any further flow. Should more air collect, it takes heat from the actuator, lowering internal pressure. Line pressure will then compress thermal actuator to open valve and discharge air. Valve lift automatically adjusts to variations.

TAV SERIES THERMOSTATIC AIR VENT

SPECIFICATION

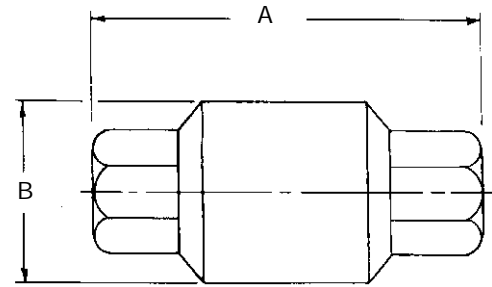
Air vent shall be of balanced pressure design stainless steel welded actuator capable of discharging air within 35°F of saturated temperature. Thermostatic actuator shall employ a conical valve lapped in matched sets with the seat ring assuring tight shut off. Vent shall be stainless steel bodied suitable for pressures to 650 psig and available in 3/8" through 1" NPT or socketweld.

MAXIMUM OPERATING CONDITIONS

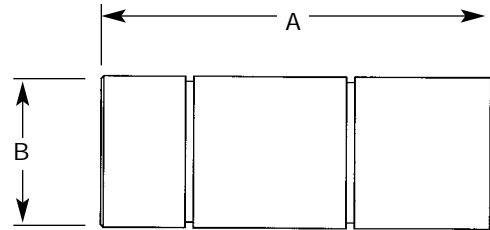
PMO: Max. Operating Pressure	650 psig	(44.8 barg)
TMO: Max. Operating Temperature	650°F	(343°C)
PMA: Max. Allowable Pressure	650 psig	(44.8 barg)
TMA: Max. Allowable Temperature	750°F	(400°C)

MATERIALS OF CONSTRUCTION

Body & Cover:ASTM A351 Grade CF3M (316L)
 Actuator:Welded Stainless Steel
 Valve & Seat:Hardened 416 Stainless Steel



3/8" - 3/4" BODY



1" BODY

Connections:
3/8" - 1" NPT or socketweld

NPT or Socket weld	inches (mm)		Weight Lbs. (kg)
	A	B	
3/8, 1/2"	3 ³ / ₄ (95)	1 ³ / ₄ (44)	1.1 (0.5)
3/4"	3 ¹⁵ / ₁₆ (100)	1 ³ / ₄ (44)	1.2 (0.54)
1"	4 ³ / ₈ (111)	1 ³ / ₄ (44)	1.6 (0.73)

Air Capacity—SCFM for 14.7 PSIA @ 60°F (dm³/s)

Vent	Orifice Inch (mm)	Inlet Pressure (barg)														
		10 (0.7)	50 (3.5)	100 (6.9)	125 (8.62)	150 (10.3)	200 (13.8)	250 (17.2)	300 (20.7)	350 (24.1)	400 (27.6)	450 (31.0)	500 (34.5)	550 (37.9)	600 (41.4)	650 (44.8)
TAV	5/16 (8)	33 (16)	34 (20)	156 (74)	192 (91)	230 (109)	300 (142)	370 (175)	440 (208)	510 (241)	580 (274)	650 (307)	720 (340)	790 (373)	860 (406)	930 (439)



STEAM SEPARATOR

APPLICATION DATA

- Steam, compressed air, and gas systems
- Steam mains
- Before steam turbines
- Hot air batteries
- Heat exchangers
- Duplicators
- Boilers
- Kilns
- Radiators
- Sterilizers
- Drip stations before temperature control or pressure reducing valves
- Steam inlets to process equipment which require dry saturated steam
- Before filters and on the compressed air supply to sensitive instruments
- Laundry Processes

ORDERING CODE

MODEL # (Must be 2 Digits)	CONNECTIONS	RATING (Must be 4 Digits)	—	SIZE
example: <u>E</u> <u>S</u>	<u>I</u>	<u>0150</u>	—	<u>C</u>
ES - Eliminator	T - NPT	0150 - 150#		C - 1/2
	W - Socketweld	0300 - 300#		D - 3/4
	F - Flanged	0600 - 600#		E - 1
				F - 1 1/4
				G - 1 1/2
				H - 2
				J - 2 1/2
				K - 3
				M - 4
				P - 6

Installation Tip: Always install a Steam Trap (i.e.: NFT, FTN, Max-Flo, Dura-Flo) after the Steam Separator
SEE PAGE 32

ELIMINATOR SERIES STEAM & AIR SEPARATOR

Pressures to 990 PSIG (68.2 barg)
Temperatures to 650°F (344°C)

Removal of Entrained Contaminants - Extracts nearly all moisture and solids above 10 microns

Long Service Life - No moving parts mean less wear and corrosion

High Capacities - Up to 35,000 lbs./hr steam

Steel bodies and internals - Withstand unfavorable conditions and water hammer

Drain Outlet Below Condensate Level - Prevents steam leakage

Optimal Gravity Discharge - Drain located directly below the line

Maintenance Free - Regular maintenance is not required

Steam or Air Service

OPTIONS

- Optional Insulation Jacket

MAXIMUM OPERATING CONDITIONS

1/2" - 2" NPT & SW
Class 400 - 990 psig (68.2 barg) @ 100°F (34°C)

2 1/2" - 6" ANSI 150 Flanged
Class 150 - 285 psig (19.6 barg) @ 100°F (34°C)

2 1/2" - 6" ANSI 300 Flanged
Class 300 - 740 psig (51.0 barg) @ 100°F (34°C)

2 1/2" - 6" ANSI 600 Flanged
Class 400 - 990 psig (68.2 barg) @ 100°F (34°C)

MODELS

- ES-150 - 150 psig ANSI Flanged
- ES-300 - 300 psig ANSI Flanged
- ES-600 - 600 psig NPT, Socketweld, ANSI Flanged

NOTE: This is a fabricated product. Custom designs are available. Please call factory for details.

Installation Tip: Always install a Y Strainer between the Steam Separator and Trap.

OPERATION

When the vapor enters the steam separator, a series of baffles change its flow direction several times. During this process, the baffles in the housing collect impinged water droplets that are carried in the system. Gravity allows the accumulated water droplets and

other foreign particles to fall to the drain and exit the system through a steam trap. The remaining steam in the system is clean and dry, allowing improved and maintained performance.

ELIMINATOR SERIES STEAM SEPARATOR

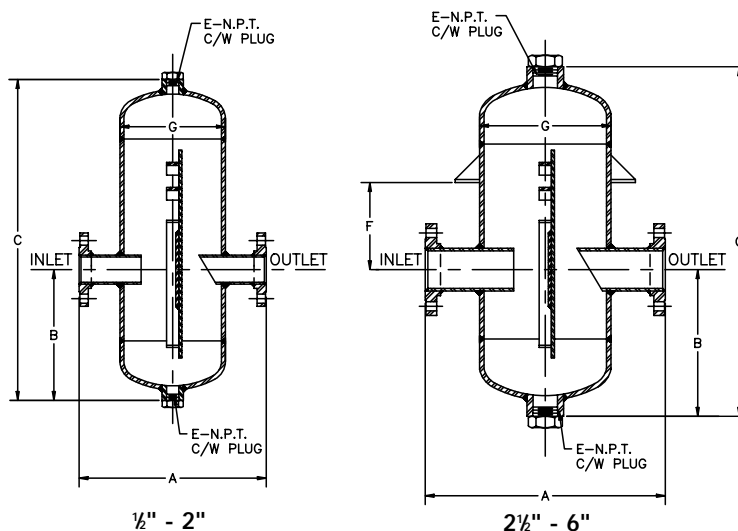
SPECIFICATION

Steam Separator shall have an internal baffle that does not exceed an equivalent length of pipe. The Steam Separator shall be installed in a horizontal pipe configuration with the drain directly below the line. The Steam Separator shall have an NPT bottom drain on which a mechanical constant flow steam trap shall be installed.

MATERIALS OF CONSTRUCTION

Body(½" to 2") Carbon Steel	ASTM SA53
	(2½" to 6") Carbon Steel	ASTM SA53
End CapsCarbon Steel	ASTM A-234 WPB
CouplingCarbon Steel	ASTM A-105
BaffleCarbon Steel	ASTM SA53
	Stainless Steel	Optional
PlugCarbon Steel	ASTM A105
End Connections:		
	(½" to 2") Carbon Steel	ASTM A105
	(2½" to 6") Carbon Steel	ASTM A105

SIZING INFO
PAGE 139



Connections:
½" - 2" SW & NPT or 2½" - 6" Flanged

- Call factory for sizing information. Please provide the following:
1. Steam or Compressed Air System
 2. Flow Rate (lb/Hr) ____
 3. Separator Connection Size ____
 4. System Pressure ____

DIMENSIONS inches (mm) AND WEIGHTS pounds (kg)

Pipe Size	Connection	A	B	C	E	F	G	Weight
1/2	NPT/SW	3½ (218)	5¼ (132)	10⅞ (269)	¾ (20.3)	—	6 (152.4)	9 (4.1)
3/4	NPT/SW	8¾ (224)	5⅞ (150)	12⅞ (307)	¾ (20.3)	—	6 (152.4)	10 (4.5)
1	NPT/SW	9¾ (236)	6 (152)	14⅞ (358)	¾ (20.3)	—	6 (152.4)	19 (8.6)
1-1/4	NPT/SW	9¾ (238)	7⅞ (180)	16⅞ (416)	¾ (20.3)	—	6 (152.4)	30 (13.6)
1-1/2	NPT/SW	11⅞ (287)	7⅞ (193)	19 (483)	1 (25.4)	—	8 (203)	43 (19.5)
2	NPT/SW	11⅞ (295)	11⅞ (206)	20⅞ (523)	1 (25.4)	—	8 (203)	50 (22.7)
2-1/2	Flanged ANSI 150	22½ (572)	9⅞ (239)	24½ (622)	1 (25.4)	7⅞ (180)	10 (254)	109 (49.4)
	Flanged ANSI 300	22½ (572)	9⅞ (239)	24½ (622)	1 (25.4)	7⅞ (180)	10 (254)	112 (50.8)
	Flanged ANSI 600	22½ (572)	9⅞ (251)	25⅞ (650)	1 (25.4)	7⅞ (180)	10 (254)	113 (51.3)
3	Flanged ANSI 150	25⅞ (643)	12 (305)	28⅞ (726)	2 (50.8)	8 (203)	10 (254)	163 (73.9)
	Flanged ANSI 300	25⅞ (643)	12 (305)	28⅞ (732)	2 (50.8)	8 (203)	10 (254)	169 (76.7)
	Flanged ANSI 600	25⅞ (643)	12⅞ (323)	29⅞ (759)	2 (50.8)	8 (203)	10 (254)	189 (85.7)
4	Flanged ANSI 150	29 (737)	12⅞ (320)	31¼ (792)	2 (50.8)	8 (203)	12 (305)	237 (108)
	Flanged ANSI 300	29 (737)	12⅞ (320)	31¼ (792)	2 (50.8)	8 (203)	12 (305)	256 (116)
	Flanged ANSI 600	29 (737)	13¼ (335)	31¼ (792)	2 (50.8)	8 (203)	12 (305)	297 (135)
6	Flanged ANSI 150	35¾ (909)	12⅞ (312)	36¾ (932)	2 (50.8)	11⅞ (290)	16 (406)	365 (166)
	Flanged ANSI 300	35¾ (909)	12⅞ (315)	36⅞ (937)	2 (50.8)	11⅞ (290)	16 (406)	401 (182)
	Flanged ANSI 600	35¾ (909)	13 (330)	37¾ (960)	2 (50.8)	11⅞ (290)	16 (406)	551 (250)

Applications

- Unit Heaters
- Steam Tracing
- Drip Legs
- Heating
- Tire Presses
- Cooking Equipment
- Laundry Equipment
- Plating Tanks
- Patent Presses
- Refinery
- Process

Big Block UMT Valve Station

Pressures to 1440 PSIG
Temperatures to 750°F

Zerk Cap Nut

standard grease fitting for lubrication and flushing of contaminants through one-way external seals

Snap Ring

prevents accidental removal and/or overtorque in an open position

Slip Clutch

prevents overtorque in the closed position

Packing Nut

can be tightened to prevent leaks

Adjustable Grafoil Packing

simultaneously seals stem and valve body

Blowout Proof Lower Assembly

remains intact if upper assembly is damaged

Hardened 440 Stainless Steel Ball Tip

floats for tight seal and proper alignment

Minimum 1/4" Ports Throughout

assures high flow capacity

Inner and Outer Stems

isolate rotation from packing, reducing wear

One-Way Teflon® Seals

allow lubrication and cleaning of all components while protecting from contaminants

Test Port

provides visual indication of trap function and backflow

Faceplate

illustrates operation and flow direction

Connections

available in 1/2" and 3/4" NPT or Socketweld

Ventilation Fins

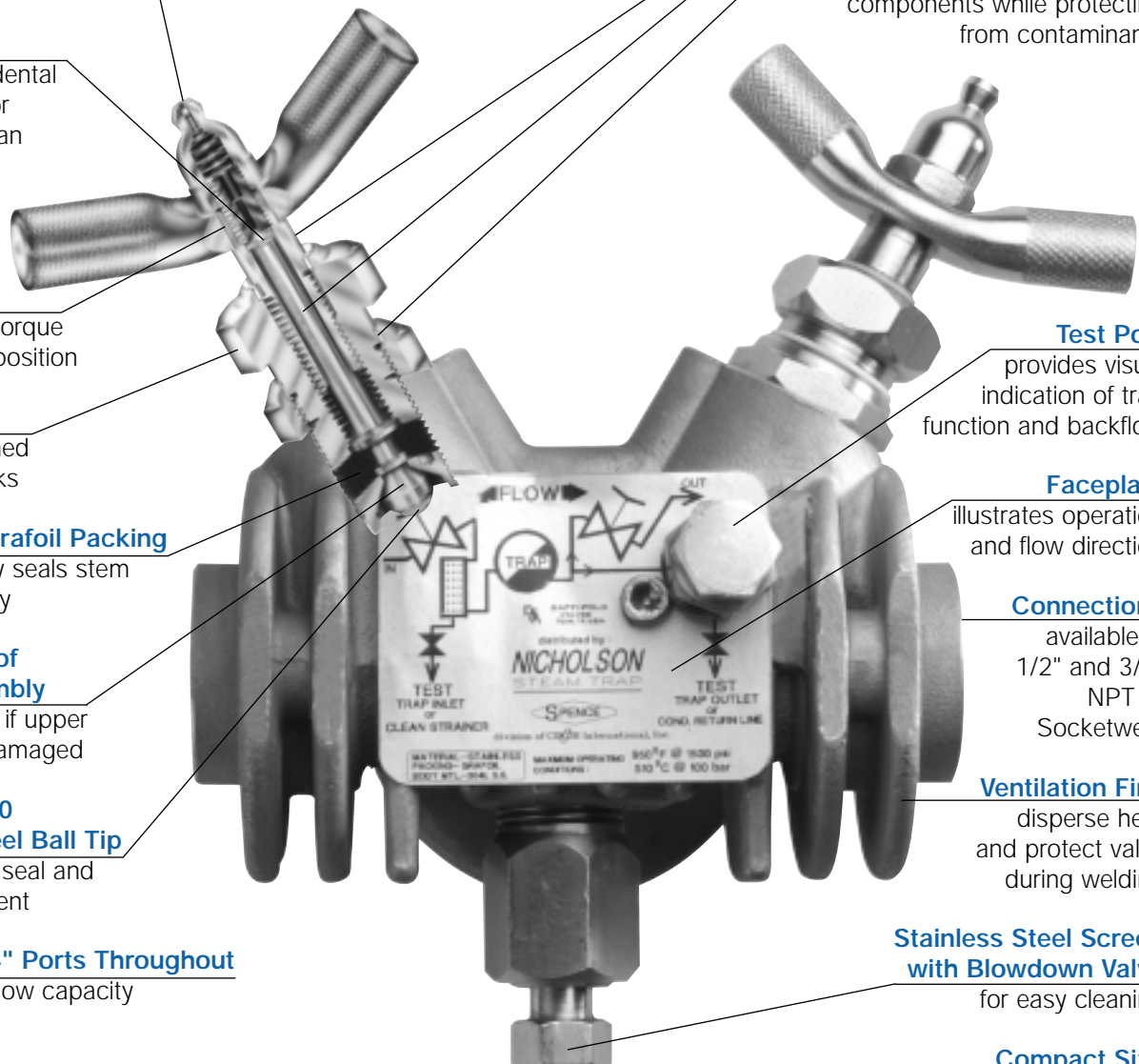
disperse heat and protect valve during welding

Stainless Steel Screen with Blowdown Valve

for easy cleaning

Compact Size

for easy installation



PIPING SPECIALTIES

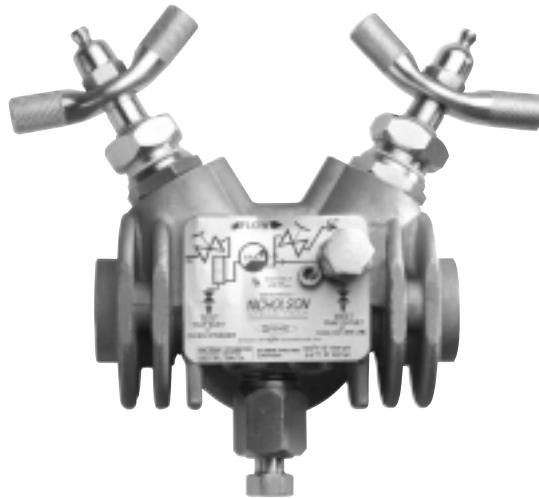
NICHOLSON manufactures a wide range of piping specialties to suit a broad spectrum of applications.

- Big Block UMTVS-BB
- STV Test & Block Valve
- Noise Diffuser
- Pneumatic Muffler

NICHOLSON innovations set the standard.

BIG BLOCK

UNIVERSAL MOUNT TRAP VALVE STATION



Pressures to 1440 PSIG (99 bar)
Temperatures to 750°F (399°C)

Compact Size — Isolation valves, test port, strainer and blowdown valve combined in one “Big Block” for easy installation.

Universal Mount — Universal two bolt swivel trap mount installs permanently into system, simplifying installation and removal of trap.

Highest Pressure and Temperature Ratings — Suitable for virtually all applications.

All Stainless Steel — Body, internal wetted parts and polished inner stem are durable and corrosion resistant.

Blowout Proof Isolation Valves — Feature grease fittings to lubricate one way Teflon® seals and flush contaminants. Protected from overtorque.

Adjustable Grafoil Packing — Simultaneously seals stem and valve body.

Inner and Outer Valve Stems — Reduce wear.

Hardened 440 Stainless Steel Ball Tip — provides tight seal and proper alignment.

High Capacity — All internal ports at least 1/4".

MODELS*

- UMTVS-BB

APPLICATIONS

- Unit Heaters
- Steam Tracing
- Drip Legs
- Heating
- Tire Presses
- Cooking Equipment
- Laundry Equipment
- Plating Tanks
- Patent Presses
- Refinery
- Process

OPTIONS

- SW - Socketweld Connections

CODES

- Designed per ASME B16.5, Class 600

OPERATION

The UMTVS Big Block may be used in conjunction with any two-bolt universal mount steam trap. It combines a universal mount connector block with isolation valves, strainer, blowdown valves and test port to permit fast and easy testing, maintenance, and repair or replacement of a universal mount steam trap.

Integral Strainer and Blowdown Valve

The built-in strainer captures dirt and scale. The blowdown valve at the bottom of the connector block may be used periodically to clean out the strainer.

1st Inlet Isolation Valve (left)

Turning the first isolation valve to the off position (clockwise) stops the flow before it reaches the universal mount steam trap, strainer and blowdown valve. If the first isolation valve is opened (counter-clockwise) flow will be directed through the strainer and blowdown valve ports and to the universal mount steam trap.

Test port (on face)

Condensate exiting the universal mount steam trap is directed to the test port. Fully open the test port by loosening the larger test port valve located on the face of the block (counter-clockwise). This will provide a visual indication of the trap discharge pattern to determine the steam trap functionality.

2nd Outlet Isolation Valve (right)

Turning the second isolation valve to the off position (clockwise) stops the flow to the outlet connection. The flow still may be exhausted through any of the previously mentioned ports. When the second isolation valve is open (counter-clockwise), flow to the outlet connection will continue. Downstream backflow discharge may be observed through the open test port by closing the first Inlet Isolation Valve and blowdown valve and opening the second Outlet Isolation Valve.

BIG BLOCK UNIVERSAL MOUNT TRAP VALVE STATION

SPECIFICATION

Big Block Universal Mount Trap Valve Station shall be a universal mount connector block with integral strainer, blow-down valve, test ports, and dual isolation valves. Body shall be 304L stainless steel. It shall be suitable for pressures to 1440 PSIG. End connections shall be NPT or Socketweld and accommodate connection sizes of 1/2" and 3/4". It shall function in any orientation. It shall accept universal mount steam traps. The isolation valves shall be bonnetless and blowout proof with a relubrication system.

MAXIMUM OPERATING CONDITIONS*

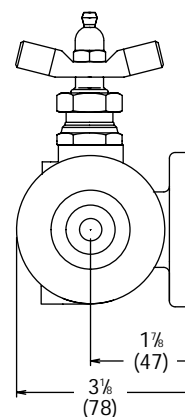
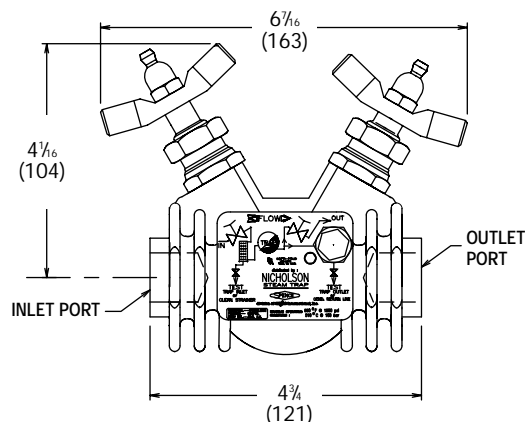
Class 600 - 855 psi (59 barg) @ 750°F (399°C)
1440 psi (99 barg) @ 100°F (170°C)

MATERIALS OF CONSTRUCTION

BodyInvestment Cast 304L Stainless Steel**
Blowdown Valve304 Stainless Steel
Strainer 304 Stainless Steel .033 Perf
Test Port & Lock Nut.....303 Stainless Steel
Internal ComponentsStainless Steel
External Seals..... Teflon®
Packing.....Grafoil

* Per ASME B16.5, Class 600

** Per ASTM A351-CF



DIMENSIONS - INCHES (MM)
WEIGHT: 6 LBS. (2.7 KG)

Connections: 1/2" & 3/4" NPT or Socketweld

STV SERIES COMBINATION TRAP TEST & BLOCKING STEAM VALVE

Pressures To 250 PSIG (17.2 barg)
Temperatures to 406°F (208°C)



APPLICATIONS

- Test Steam Traps
- Sample Fluids or Gases from Process Lines

OPTIONS

- Stainless Steel Latch-lok Handle
- Extended Handle

Canadian Registration # OCO591.97

Visual Steam Trap Test — Provides for quick visual examination of steam trap discharge.

Compact Body — Small size facilitates installation and operation in tight spaces.

Stainless Steel Internals — High quality materials provide long service life and protection against corrosion.

Repairable — All parts are easily replaceable.

Large Size Test Vent — Vent passage in ball is large enough to provide true determination of trap discharge.

Safety Designed — Bottom loaded, pressure retaining stem and packing nut threaded to body provides extra margin of safety.

Reduces Labor Costs — Eliminates need to install and maintain separate blocking and test valves.

Minimizes Risk of Connection Leaks — Eliminates the need for numerous fittings.

OPERATION

STV test/block valve is installed on downstream side of steam trap. During normal operation, valve is in open position with unrestricted flow through trap into the return system.

One quarter turn (90°) of STV blocks flow from return and vents trap discharge to atmosphere. Provides quick, visual check of trap operation.

STV SERIES

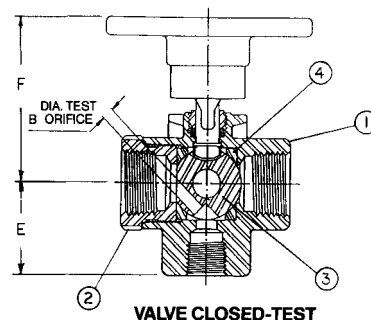
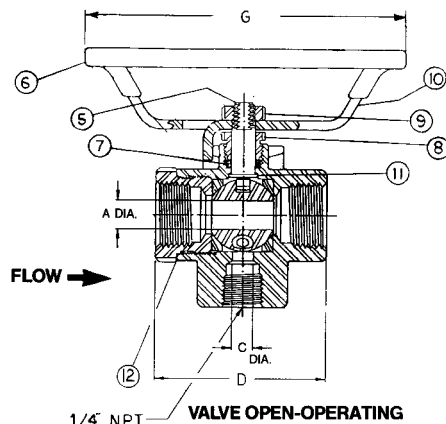
COMBINATION TRAP TEST & BLOCKING STEAM VALVE

MAXIMUM OPERATION CONDITIONS

PMO: Max. Operating Pressure	250 psig	(17 barg)
TMO: Max. Operating Temperature	406°F	(208°C)
PMA: Max. Allowable Pressure	250 psig	(17 barg)
TMA: Max. Allowable Temperature	406°F	(208°C)

MATERIALS OF CONSTRUCTION

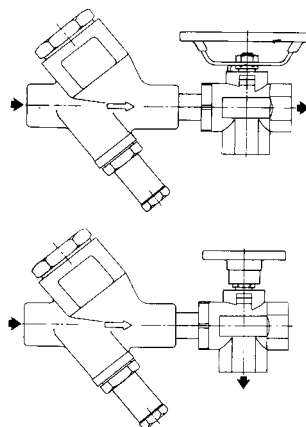
Body:	ASTM A216 WCB Carbon Steel
	(Blk oxide & oil coat)
Adapter:	.12L14C.R.S. (Blk oxide & oil coat)
Ball:	.316 Stainless Steel
Seat:	.25% Mineral Fill Virgin Teflon
Stem:	.316 Stainless Steel
Insulator:	Plastisol (Vinyl grip)
Packing Gland:	Carbon Reinforced Teflon
Packing Nut:	.12L14 C.R.S. (Blk oxide & oil coat)
Handle Nut:	Steel (Zinc plated)
Handle:	.11 Ga. C.R.S. (Zinc plated)
Thrust Washer:	Glass Reinforced Teflon
Body Seal:	Virgin Teflon

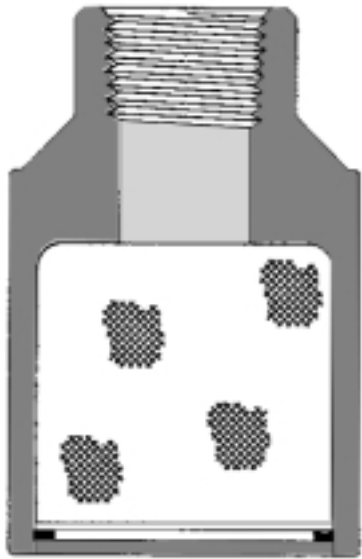


Connections: 1/4" NPT Blowdown
1/2" and 3/4" NPT Inlet & Outlet

DIMENSIONS

Size	Inches (mm)							Weight Lbs. (kg)
	A	B	C	D	E	F	G	
1/2" (15)	.375 (10)	.156 (4)	.281 (7)	2.26 (57)	1.20 (30)	2.17 (55)	4.25 (108)	1.1 (.5)
3/4" (20)	.531 (13)	.218 (6)	.281 (7)	2.83 (72)	1.49 (38)	2.45 (62)	4.25 (108)	1.4 (.64)





SS600 SERIES NOISE DIFFUSER

**Pressures To 600 PSIG (41.3 barg)
Temperatures to 750°F (400°C)**

Diffuses Blast Discharge — Diffuses the high velocity discharge from steam traps.

Reduces Noise — Dampens the level of noise associated with steam trap cycles.

Corrosion Resistant — All stainless steel construction provides excellent protection from corrosion.

Causes No Back Pressure — Porous stainless steel baffle allows condensate discharge without back pressure.

Compressed Air Capabilities — Diffuser works as a muffler for compressed air exhaust.

Repairable in-line — Snap ring design allows for easy element replacement.

APPLICATIONS

- Steam Traps
- Blowdown Valves
- Air Cylinders

OPERATION

The SS600 Diffuser is installed on the outlet side of steam traps, valves or other equipment that discharges high velocity steam, condensate or air to the atmosphere. The baffle is constructed

of a fine stainless steel wire mesh, similar to steel wool. This porous mesh breaks down the high velocity discharge which dampens the sound significantly.

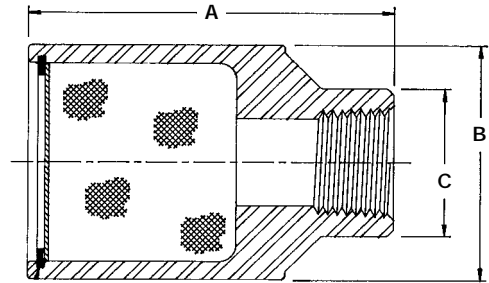
SS600 SERIES NOISE DIFFUSER

MAXIMUM OPERATING CONDITIONS

PMO: Max. Operating Pressure 600 psig (41.3 barg)
 TMO: Max. Operating Temperature 750°F (400°C)
 PMA: Max. Allowable Pressure 600 psig (41.3 barg)
 TMA: Max. Allowable Temperature 750°F (400°C)
 CWP: Max. Cold Working Pressure 1,000 psig (69 barg)

MATERIALS OF CONSTRUCTION

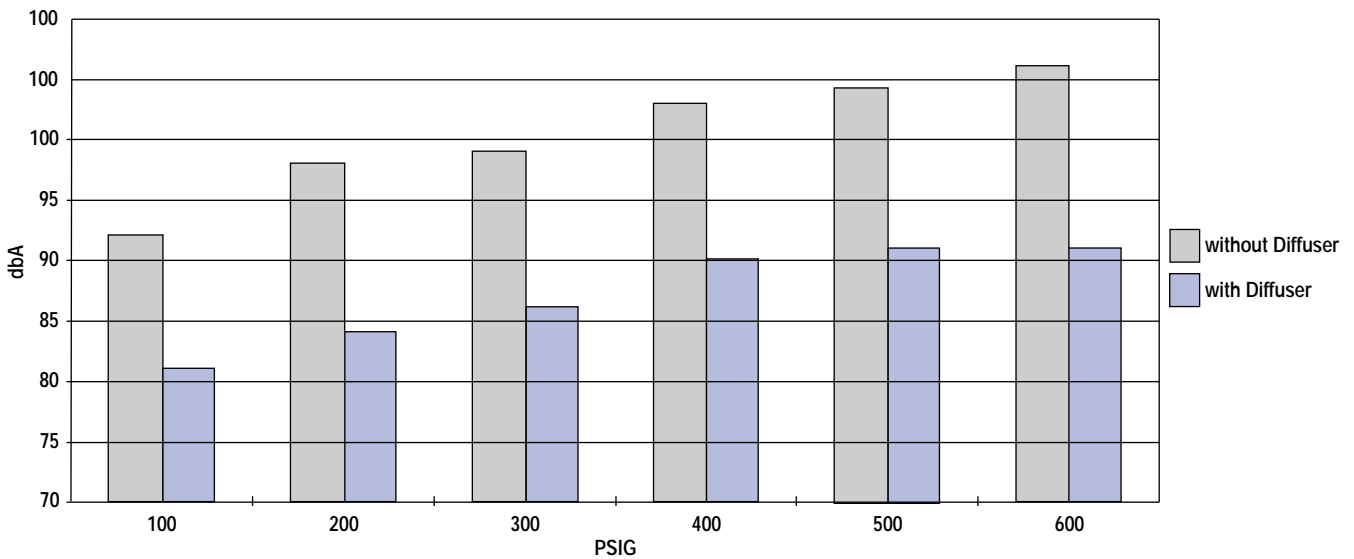
Body:ASTM A351 Grade CF3M (316L)
 Retaining Ring:302 Stainless Steel
 Element:304 Stainless Steel



Connections: 3/8" - 3/4" NPT

Dimensions				
NPT Size	Inches			Weight Lbs.
	A	B	C	
3/8"	2 3/4	1 25/32	1 1/8	.85 lbs
1/2"	2 3/4	1 25/32	1 1/8	.81 lbs
3/4"	2 25/32	1 25/32	1 5/16	.88 lbs

Noise Three Feet from Trap Discharge



PNEUMATIC MUFFLERS

Pressures To 600 PSIG (41.4 barg)
Temperatures to 220°F (104°C)

Reduces Noise to Acceptable Levels — Specifically designed to reduce the noise of exhaust.

Compact and Lightweight — Adds minimal space and weight to installation.

Durable Construction — Will provide years of service.

Corrosion Proof — Nylon and felt construction will not corrode in most services.



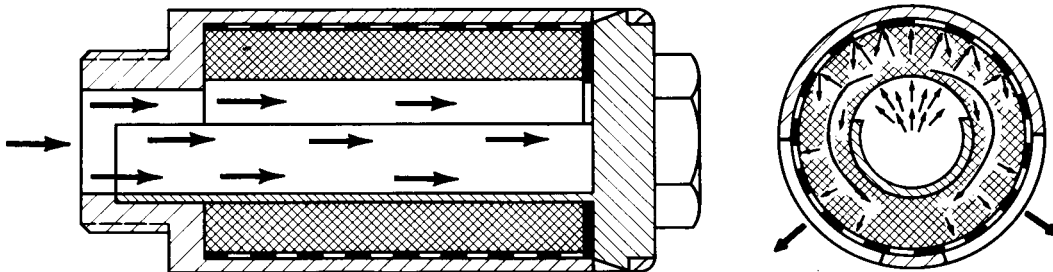
APPLICATIONS

- 2, 3 and 4-way Valves
- Pneumatic Cylinders
- Air Motors
- Air Tools
- Instrumentation
- Bench Fixtures
- Test Panels
- Relief Valves

OPERATION

The muffler housing and plug are made of nylon. compressed exhaust air enters the muffler as shown by the flow arrows. It is then diverted by

a plastic insert sleeve through a packing of sound deadening felt and out through exit slots. A fine mesh screen shields the felt packing and retains it in position.



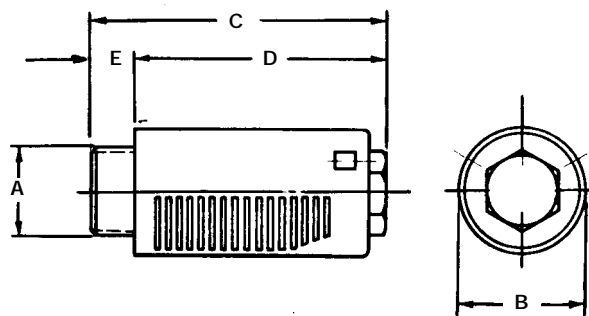
PNEUMATIC MUFFLERS

MAXIMUM OPERATING CONDITIONS

PMO: Max. Operating Pressure 600 psig (41.3 barg)
 TMO: Max. Operating Temperature 220°F (104°C)
 PMA: Max. Allowable Pressure 600 psig (41.3 barg)
 TMA: Max. Allowable Temperature 220°F (104°C)

MATERIALS OF CONSTRUCTION

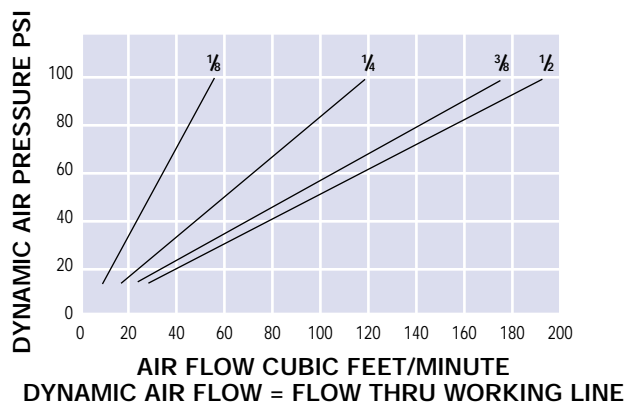
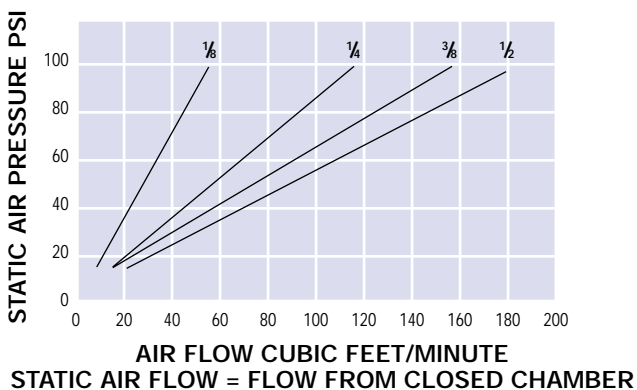
Housing:Nylon
 Screen:Aluminum
 Media:Felt



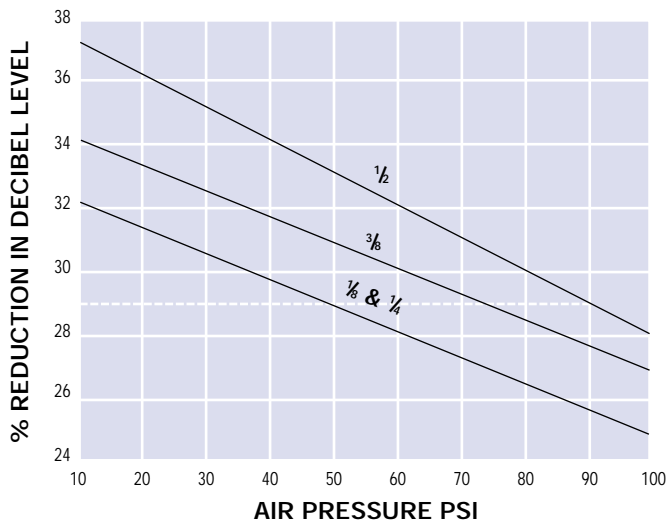
Connections: 1/8" - 1/2" NPT

Dimensions				
A NPT Size	Inches			
	B	C	D	E
1/8"	.63	1.72	1.38	.34
1/4"	.83	2.06	1.66	.40
3/8"	.99	2.43	2.03	.40
1/2"	1.18	2.90	2.37	.53

AIR FLOW AND SOUND MEASUREMENTS OF NICHOLSON PNEUMATIC MUFFLERS



SOUND LEVELS ON A WEIGHING SCALE



USING GRAPH

Condition: Exhaust of air at 90 PSI produces a noise level of 100 dbA. Noise must be reduced to an acceptable level.

Solution: 1/2" Muffler will reduce level 29%. Muffled discharge will be at 71 dbA.

STEAM TRAPPING PRIMER

Steam Trapping Primer – **NICHOLSON** has been known throughout the 20th Century as a pioneer and engineering leader in the Steam Trapping industry. Our line of Steam Traps includes the four major types: Mechanical, Thermodynamic, Thermostatic and Drain Orifice.

NICHOLSON Steam Traps are available for use at temperatures to 800° F, and pressures from vacuum to 3000 PSIG.

BASICS OF STEAM TRAPS

WHY DO WE NEED STEAM TRAPS?

In order to operate economically and efficiently, all steam systems must be protected against 3 factors:

- * CONDENSATE
- * AIR
- * NON-CONDENSIBLES

Condensate is formed in a system whenever steam gives up its useable heat. And, since condensate interferes with the efficiency of the operation of a steam system, it must be removed.

Air, one of nature's finest insulators, when mixed with steam, will lower its temperature and hinder the overall effectiveness of an entire system. For example: A film of air 1/1000th of an inch thick offers as much resistance to heat transfer as 13" of copper or 3" of steel. For that reason, air **MUST** be continuously bled from a system by steam traps to have it operate efficiently and to conserve energy.

Non-condensibles, such as carbon dioxide promote corrosion and other deterioration of equipment and inhibit their function.

WHAT IS A STEAM TRAP?

A steam trap is basically an automatic valve which discharges condensate, undesirable air and non-condensibles from a system while trapping, or holding in, steam. They fall into 4 major categories; **Thermostatic, Mechanical, Thermodynamic** and **Drain Orifice**. Each type will be discussed in detail in this section.

In every steam system, there are four phases of operation in which traps play a vital role:

- 1) **Start-up** – During "start-up", when the system is initially activated, air and non-condensibles must be discharged.
- 2) **Heat-up** – During "heat-up", as the system works to achieve the desired temperature and pressure, condensate is discharged.
- 3) **At Temperature** – "At temperature", when the desired levels are reached, the valve must close to retain the steam.
- 4) **Using Heat** – At the "using heat" level, the valve's job is to stay closed unless and until condensate occurs; then the valve must open, discharge the condensate and close

quickly and positively, without allowing valuable steam to escape.

WHAT ARE THE QUALITIES OF A GOOD STEAM TRAP?

A good steam trap should:

- Discharge condensate, air and non-condensibles.
- Be equal to the load over a wide range of pressures and temperatures.
- Be freeze-proof where necessary.
- Be simple and rugged.
- Have few moving parts.
- Require low maintenance and spare parts inventory.
- Have a long life.

A good steam trap should not:

- Discharge live steam.
- Fail or malfunction if pressure changes.
- Respond slowly or hesitantly.
- Open too often, too briefly or for too long.
- Require constant adjustment or frequent repair.
- Require a wide variety of models, spare parts or orifice sizes for different pressures.

THERMOSTATIC STEAM TRAPS

Thermostatic steam traps, as their name implies, operate in direct response to the temperature within the trap. There are two primary types: *BELLOWS* and *BIMETALLIC*.

BELLOWS TRAPS

Of all actuating devices, the bellows trap most nearly approaches ideal operation and efficiency and is most economical. It is positive in both directions, is fast acting and does not require adjustment. Bellows traps employ only one moving part - a liquid filled metal bellows - which responds quickly and precisely to the presence or absence of steam.

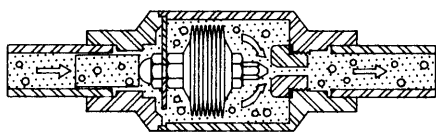


FIGURE 13

During startup and warmup, a vacuum in the bellows keeps it retracted, with the valve lifted well clear of the seat permitting air and non-condensibles to be freely discharged (Figure 13).

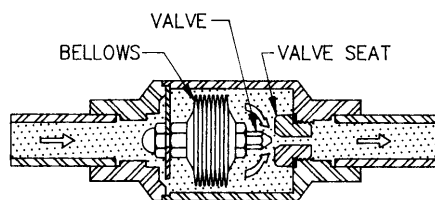
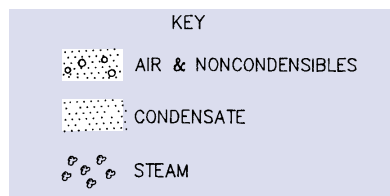


FIGURE 14

Next, condensate is discharged (Figure 14). Then heat from arriving steam will cause the liquid in the bellows to vaporize and close the valve (Figure 15).

At temperature, the valve will remain closed indefinitely opening only when condensate, air or other non-condensibles cause it to retract and open.

When live steam re-enters the trap housing, the bellows extends immediately, trapping the steam (Figure 15).

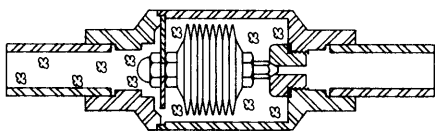


FIGURE 15

The bellows, unlike a disc trap, is a temperature sensitive rather than a time cycle device. There is no way that air can be mistaken for steam and cause binding, since bellows react to temperature only. And unlike bucket traps, bellows traps do not require a variety of sizes for valves and seats for various pressures.

BIMETALLIC TRAPS

Bimetallic traps work like the differential metal strip in a thermostat, using the unequal expansion of two different metals to produce movement which opens and closes a valve.

Figure 16: When the cooler condensate contacts the bimetallic discs, the discs relax. Inlet pressure forces the valve away from its seat and permits flow.

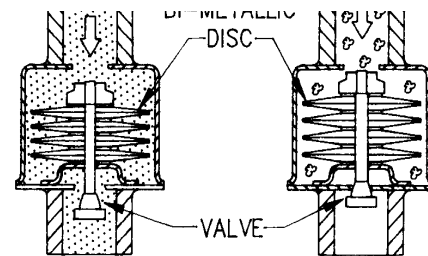


FIGURE 16

FIGURE 17

Figure 17: When steam enters the trap and heats the bimetallic discs, the discs expand forcing the valve against its seat preventing flow.

Bimetallic traps are simple and positive in both directions. However, they have a built-in delay factor which makes them inherently sluggish. Moreover; they do not maintain their original settings because the elements tend to take a permanent set after use, which requires repeated adjustment to maintain efficiency.

MECHANICAL STEAM TRAPS

There are two basic types of mechanical steam traps:

- 1) FLOAT & THERMOSTATIC
- 2) INVERTED BUCKET

Inverted bucket traps, as their name suggests, operate like an upside down bucket in water.

Figure 1: During startup, the trap is filled with water, with the bucket (A) at

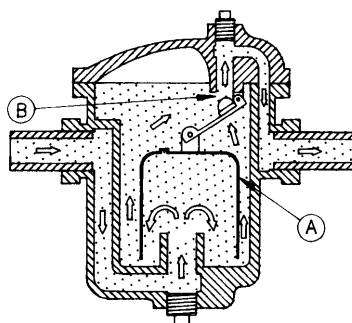
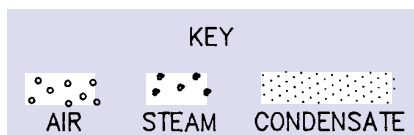


FIGURE 1

the bottom and the valve (B) fully open to allow condensate to flow out freely.

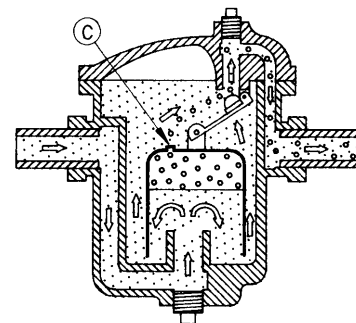


FIGURE 2

Figure 2: Air trapped in the bucket escapes through a vent hole (C). On

MECHANICAL STEAM TRAPS CONT'D.

some buckets, an additional vent hole is controlled by a bimetallic strip which is kept closed by the steam. Therefore, the vent only operates during startup. This limits bucket trap air handling capacity.

Figure 3: At temperature, steam enters under the bucket and causes it to float

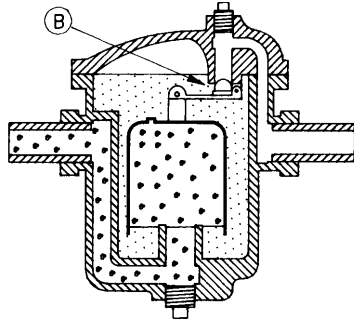


FIGURE 3

up and close the valve (B). During heat use, any condensate entering the line is forced up into the bucket. The bucket loses buoyancy and drops down, reopening the valve and discharging the condensate. (see Figure 1)

Bucket traps are rugged and reliable, however, air building up in the bucket can bind them closed causing condensate to back up in the line. Also, they can waste steam if they lose their prime

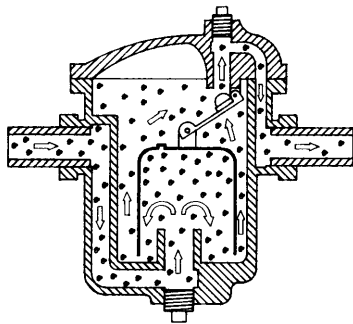


FIGURE 4

(see Figure 4). Bucket traps require priming water in the trap which makes them vulnerable to freeze up unless expensive insulation is added.

Because bucket traps rely on a fixed force, the weight of the bucket, discharge orifices must be sized by pressure. For example, a trap sized to operate at 50 PSIG will not open at 150 PSIG.

Float traps are manufactured in a variety of sizes, shapes and configurations. The most commonly used (for steam service) is the float and thermostatic, or F & T. F & T traps combine the excellent air venting capabilities of a thermostatic trap with the liquid level controlling capabilities of a float trap.

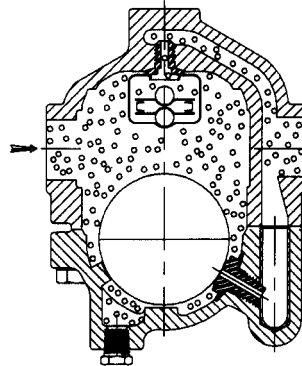


FIGURE 5

Figure 5: During startup, before condensate reaches the trap, the thermostatic element is fully open to discharge air. The float rests on the lower seat.

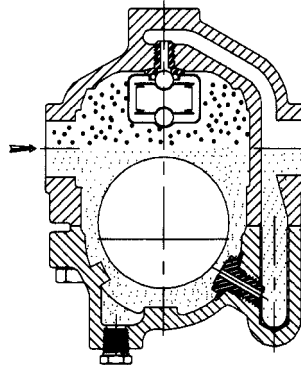


FIGURE 6

Figure 6: As hot condensate and steam reach the trap, the thermostatic element expands, closing the air vent. Condensate lifts the float, allowing condensate to flow out of the trap.

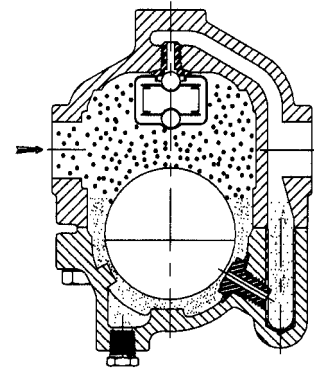


FIGURE 7*

Figure 7: As the condensing rate decreases, the float lowers, reducing flow through the trap. The buoyancy of the float will maintain a liquid level seal above the lower seat ring, preventing the escape of steam. As with inverted bucket traps, float and thermostatic traps rely on a fixed force (the buoyancy of the float). Discharge orifices must be sized by differential pressure. Placing a low pressure float and thermostatic trap in high pressure service will result in the trap locking up. A contrasting characteristic of both the float and thermostatic and inverted bucket is the discharge cycle. A float & thermostatic trap tends to continuously discharge condensate while the inverted bucket trap discharges condensate in cycles.

*NFT Free Float Steam Trap shown

THERMODYNAMIC STEAM TRAPS

Essentially, a thermodynamic steam trap is a time cycle device which responds to imbalances of pressure applied to a valving device, usually a disc.

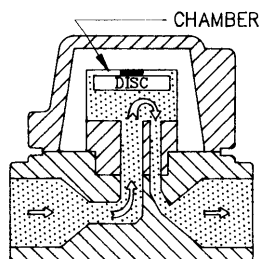


FIGURE 9

Figure 9: Pressure caused by air and condensate lifts the disc permitting flow through the trap.

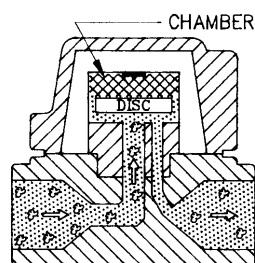


FIGURE 10

Figure 10: When steam arrives at the inlet port, blowby at a high velocity creates low pressure under the disc. Some of the flashing condensate is

blown past the disc into the upper chamber, forcing the disc downward.

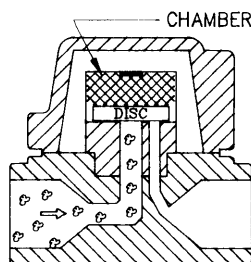


FIGURE 11

Figure 11: Further flow is stopped when sufficient pressure is trapped in the chamber above the disc. During operation, a decrease in chamber pressure permits inlet pressure to lift the disc and open the trap (**Figure 9**).

The decrease in the chamber pressure should only be caused by the presence of cooler condensate. Due to the design of most thermodynamic traps, especially in cold or wet conditions, the chamber may be prematurely cooled causing improper or frequent cycling as well as steam loss and increased wear. Advanced TD designs have a steam jacket which surrounds the chamber and prevents ambient conditions affecting the operation of the disc.

This type of trap is also subject to water binding. If water pressure is trapped above disc, trap will fail closed.

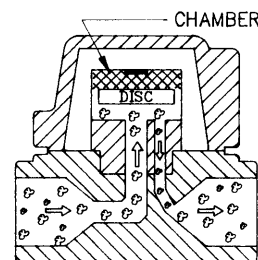
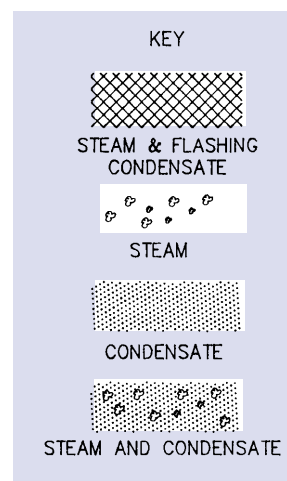


FIGURE 12

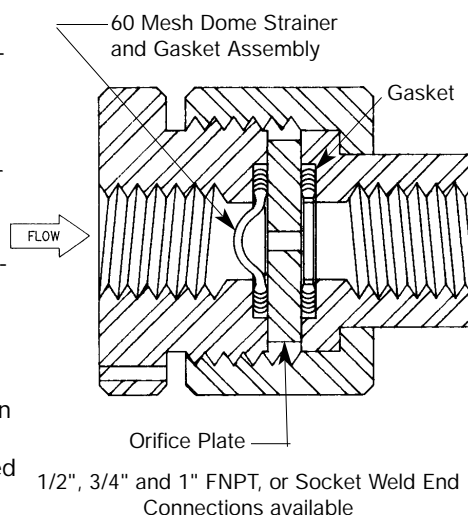
Figure 12: Trap is easily affected by dirt and/or other foreign matter which will cause trap to fail open.



ORIFICE STEAM TRAPS

Orifice type traps are engineered continuous flow devices. Orifice traps discharge air, condensate and all other non-condensable gases with minimal live steam loss.

The fixed orifice size is calculated, for a given application, to discharge the condensate load at maximum thermal efficiency. Approximately 10 to 25 percent of discharging hot condensate flashes to steam at the downstream side of the orifice, at a constant pressure drop. This flashing effect further restricts the flow of saturated steam. In actual conditions, a minimum percentage of steam, by weight, is discharged with condensate, since the specific



volume of steam is relatively large compared to that of the condensate.

The velocity through the orifice is highly turbulent. The initial calculated steam loss can be expected to remain relatively constant over the expected trap life of 10 plus years.

The major factor for energy efficient performance is based on initial orifice sizing for the application. Properly sized, thermal efficiencies of 98 percent plus can be attained.

While Orifice Traps can be applied at all pressures, they are ideally suited for use on saturated or superheated steam 250 PSIG or greater.

SIZING STEAM TRAPS

HOW TO DETERMINE THE PROPER SIZE TRAP

Capacity tables that follow show maximum discharge rates in pounds per hour. To select the correct size trap from these tables, the normal condensing rate should be converted to a "pounds per hour" basis and multiplied by a safety factor.

REASON FOR SAFETY FACTORS

For steam applications, the condensation rate varies with:

- (1) The starting or warming-up condition.
- (2) The normal operating condition.
- (3) Any abnormal operating condition.

Of these, the condensing rate for the normal condition is occasionally known, or it can be estimated with sufficient accuracy for trap selection; the loads imposed by warm-up and abnormal conditions are seldom known and practically impossible to predict.

During warm-up the trap load is heavy, since air as well as large quantities of condensate must be discharged. Condensate forms at a rapid rate as the cold equipment and connecting piping are brought up to temperature. This usually results in pressure drop at the trap inlet, thereby reducing its capacity during the period when the load is maximum.

Safety factors are therefore necessary, to compensate for start-up conditions, variation of steam pressure and product initial temperature, the process cycle speed required, and discrepancies between assumed and actual conditions which determine the normal condensing rate.

The selection of a safety factor depends on the type of trap and the operating conditions. If the known or calculated normal condensing rate is multiplied by the recommended factor from the pages which follow, efficient trapping will be assured.

EFFECT OF BACK PRESSURE ON TRAP CAPACITY

Most trap installations include piping the outlet into a common return system or to an available disposal location. In either case a constant static back pressure may exist, against which the trap must discharge. This back pressure may be unintentional or deliberately produced.

Unintentional back pressure in condensate return piping is caused by lifting the condensate to a higher level, piping which is too small for the volume of liquid conveyed, piping with insufficient or no pitch in the direction of flow, pipe and fittings clogged with rust, pipe scale or other debris, leaking steam traps, etc. In steam service an intentional back pressure is instigated by means of a pressure regulating or spring-loaded valve in the discharge system, when a supply of flash steam at a pressure less than the trap pressure is needed.

If very hot condensate is discharged to a pressure less than that existing in the trap body, some of it will flash into steam, with a tremendous increase in volume and consequent choking and build-up of pressure in the trap's discharge orifice and the passages and piping adjacent thereto. For condensate at or close to steam temperature, this flash pressure is quite high, usually considerably higher than any static back pressure existing in the trap outlet piping.

For this reason, capacity tables for thermostatic and thermodynamic traps are based on gage pressure at the trap inlet, instead of on the difference between trap inlet and discharge pressures. Experiments have shown that, for the

temperatures applying to these tables, unless the static back pressure in the return piping exceeds 25% of the trap inlet pressure, no reduction of the trap capacity results. For back pressures greater than 25% of the trap inlet pressure there is a progressive decrease of trap capacity.

Thus, if the return piping static pressure is less than 25% of the trap inlet pressure, the capacities shown in these tables should be utilized for trap selection. If the return piping pressure is greater than 25% of the trap inlet pressure, reduce the table capacities by the percentage indicated in second line of Table A on the following pages.

Above data does not apply to mechanical traps, capacities are based on differential pressure, obtained by subtracting any static back pressure from trap inlet pressure.

WHEN THE NORMAL CONDENSING RATE IS KNOWN

Normal condensing rate means the pounds of steam condensed per hour by the average conditions which prevail when the equipment drained is at operating temperature.

If this amount is known, simply multiply by the safety factor recommended for the service and conditions, obtained from the pages which follow, and determine size directly from the capacity tables for the type of trap selected.

WHEN THE NORMAL CONDENSING RATE IS UNKNOWN

Determine by utilizing proper formula for the service and equipment to be trapped. Multiply the result by safety factor recommended for the operating conditions. See examples on the following pages.

SIZING STEAM TRAPS CONT'D.

EXPLANATION OF SYMBOLS USED IN NORMAL CONDENSING RATE FORMULAS

- A** = Heating surface area, square feet (see Table B)
- B** = Heat output of coil or heater, BTU per hour
- C** = Condensate generated by submerged heating surfaces, lbs/hr/sq ft (Table F)
- D** = Weight of material processed per hour after drying, pounds
- F** = Steam flow, lbs/hr
- G** = Gallons of liquid heated per unit time
- H** = Heat loss from bare iron or steel heating surface, BTU/sq ft/°F/hr
- L** = Latent heat of steam at pressure utilized, BTU/lb (see Table C or obtain from Steam Table)
- M** = Metal weight of autoclave, retort or other pressure vessel, pounds
- Qh** = Condensate generated, lbs/hr
- Qu** = Condensate generated, lbs/unit time (Always convert to lbs/hr before applying safety factor. See Examples using formulas 7 and 10 on next page).
- S** = Specific heat of material processed, BTU/lb/°F
- Ta** = Ambient air temperature, °F
- Tf** = Final temperature of material processed, °F
- Ti** = Initial temperature of material processed, °F
- Ts** = Temperature of steam at pressure utilized, °F (see Table C or obtain from Steam Table)
- U** = Overall coefficient of heat transfer, BTU/sq ft/°F/hr (see Table E)
- V** = Volume of air heated, cubic feet/minute
- Wg** = Liquid weight, lbs/gallon
- Wh** = Weight of material processed per hour, lbs
- Wu** = Weight of material processed per unit time, lbs
- X** = Factor for $\frac{T_f - T_i}{L}$ (obtain from Table D)
- Y** = Factor for $\frac{H(T_s - T_a)}{L}$, lbs/hr/sq ft (obtain from Table C)

AIR HEATING

Steam Mains; Pipe Coil Radiation; Convectors; Radiators; etc. (Natural Air Circulation)

$$(1) Q_h = A Y$$

Recommended Safety Factors

For Steam Mains

Ambient Air Above Freezing:

1st Trap After Boiler.....	3
At End of Main	3
Other Traps	2

Ambient Air Below Freezing:

At End of Main	4
Other Traps	3

Steam mains should be trapped at all points where condensate can collect, such as at loops, risers, separators, end of mains, ahead of valves, where mains reduce to smaller diameters, etc., regardless of the condensate load. Installation of traps at these locations usually provides ample capacity.

For Pipe Coil Radiation, Convectors and Radiators

Single Continuous Coil	2
Multiple Coil	4

Damp Space Pipe Coil Radiation; Dry Kilns; Greenhouses; Drying Rooms; etc. (Natural Air Circulation)

$$(2) Q_h = 2.5 A Y$$

Recommended Safety Factors

Single Continuous Coil	2
Multiple Coil	4

Steam Line Separators; Line Purifiers

$$(3) Q_h = .10 F$$

Recommended Safety Factors

Indoor Pipe Line	2
Outdoor Pipe Line	3
If Boiler Carry-Over Anticipated... (Depending on probable severity of conditions)	4 to 6

Unit Heaters; Blast Coils (Forced Air Circulation)

(4) When BTU Output is Known:

$$Q_h = \frac{B}{L}$$

(5) When BTU Output is Unknown, Heat Transfer Area is Known:

$$Q_h = 5 A Y$$

(6) When Volume of Air Heated is Known:

$$Q_h = 1.09 V X$$

Recommended Safety Factors

Intake Air Above Freezing - Constant Steam Pressure	3
Intake Air Above Freezing - Variable Steam Pressure	4
Intake Air Below Freezing - Constant Steam Pressure	4
Intake Air Below Freezing - Variable Steam Pressure	5

Example: 11,500 cubic feet of air per minute heated by blast coil from 50°F to 170°F with 50 PSIG constant steam pressure.

Solution: By formula (6), $Q_h = 1.09 \times 11,500 \times .132 = 1655$ lbs/hr. Recommended safety factor, 3 for intake air above freezing and constant steam pressure. $3 \times 1655 = 4965$ lbs/hr trap capacity required.

SIZING STEAM TRAPS CONT'D.

LIQUID HEATING

Submerged Coils; Heat Exchangers; Evaporators; Stills; Vats; Tanks; Jacketed Kettles; Cooking Pans; etc.

(7) When Quantity of Liquid to be Heated in a Given Time is Known:

$$Q_u = G W_g S X$$

(8) When Quantity of Liquid to be Heated is Unknown:

$$Q_h = A U X$$

(9) When Heating Surface Area is Larger than Required to Heat Known Quantity of Liquid in a Given Time:

$$Q_h = A C$$

When maximum heat transfer efficiency is desired, or when in doubt, use formula (9) in preference to formulas (7) and (8).

Recommended Safety Factors

For Submerged Coil Equipment; Heat Exchangers; Evaporators; etc.

Constant Steam Pressure:

- Single Coil, Gravity Drainage 2
- Single Coil, Siphon Drainage 3
- Multiple Coil, Gravity Drainage 4

Variable Steam Pressure:

- Single Coil, Gravity Drainage 3
- Single Coil, Siphon Drainage 4
- Multiple Coil, Gravity Drainage 5

For Siphon Drained Equipment, specify traps with "Steam Lock Release Valve".

For Jacketed Equipment; Cooling Kettles; Pans; etc.

Slow Cooking:

- Gravity Drainage 3
- Siphon Drainage 4

Moderately Fast Cooking:

- Gravity Drainage 4
- Siphon Drainage 5

Very Fast Cooking:

- Gravity Drainage 5
- Siphon Drainage 6

For Siphon Drained Equipment, specify traps with "Steam Lock Release Valve".

Example: Heat exchanger with single submerged coil, gravity drained, heating 1250 gallons of petroleum oil

of 0.51 specific heat, weighing 7.3 lbs/gal, from 50°F to 190°F in 15 minutes, using steam at 100 PSIG.

Solution: By formula (7), $Q_u = 1250 \times 7.3 \times .51 \times .159 = 740$ pounds of condensate in 15 minutes, or $4 \times 740 = 2960$ lbs/hr. Recommended safety factor is 2 for single coil, gravity drained. $2 \times 2960 = 5920$ lbs/hr trap capacity required.

DIRECT STEAM CONTACT HEATING

Autoclaves; Retorts; Sterilizers; Reaction Chambers; etc.

$$(10) Q_u = W_u S X + .12 M X$$

Recommended Safety Factors

- Slow Warm-up Permissible 3
- Fast Warm-up Desired 5

Example: An autoclave which weighs 400 pounds before loading is charged with 270 pounds of material having a specific heat of .57 and an initial temperature of 70°F. Utilizing steam at 50 PSIG, it is desired to bring the temperature up 250°F in the shortest possible time.

Solution: By formula (10), $Q_u = (270 \times .57 \times .198) + .12(400 \times .198) = 40$ pounds of condensate. Using safety factor of 5 recommended for fast warm-up and assuming 5 minutes as the time required to complete the reaction, a trap capacity of $40 \times 12 \times 5 = 2400$ lbs/hr is required.

INDIRECT STEAM CONTACT HEATING

Cylinder Dryers, Drum Dryers, Rotary Steam Tube Dryers, Calenders; etc.

$$(11) Q_h = \frac{970 (W - D)}{L} + W_h X$$

Recommended Safety Factors

For Siphon or Bucket Drained Rotating Cylinder, Drum and Steam Tube Dryers; Cylinder Ironers; etc.

- Small or medium Size, Slow Rotation4

- Small or Medium Size, Fast Rotation6
- Large Size, Slow Rotation 6
- Large Size, Fast Rotation 8

For Siphon or Bucket Drained Equipment, specify traps with "Steam Lock Release Valve". Each cylinder should be individually trapped.

For Gravity Drained Chest Type Dryers and Ironers

- Each Chest Individually Trapped... 2
- Entire Machine Drained By Single Trap 4 to 6
- Depending on number of Chests

For Platen Presses

- Each Platen Individually Trapped ... 2
- *Entire Press Drained by Single Trap, Platens Piped in Series3
- *Entire Press Drained by Single Trap, Platens Piped in Parallel 4 to 6
- Depending on number of Platens

Example: A medium size rotary steam tube dryer with condensate lifted to a discharge passage in the trunion, dries 4000 lbs/hr of granular material to 3300 pounds, with 15 PSIG steam, initial temperature of material 70°F, final temperature 250°F.

Solution: By formula (11) $Q_h =$

$$\frac{970 (4000 - 3300)}{945} + (4000 \times .191)$$

$= 1483$ lbs/hr. Using safety factor of 4 recommended for medium size, slow rotation: $4 \times 1483 = 5932$ lbs/hr trap capacity required.

*A separate trap for each heating surface (coil, chest, platen, etc.) is recommended for maximum heating efficiency. Sluggish removal of condensate and air is certain when more than one unit is drained by a single trap, resulting in reduced temperatures, slow heating and possible water-hammer damage.

TABLE A — EFFECT OF BACK PRESSURE ON STEAM TRAP CAPACITY

Back Pressure as Percent of Inlet Pressure	10	20	25	30	40	50	60	70	80	90
Percent Reduction of Trap Capacity	0	0	0	2	5	12	20	30	40	55

TABLE B – SQUARE FEET OF SURFACE PER LINEAL FOOT OF PIPE

Nominal Pipe Size (In.)	1/2	3/4	1	1¼	1½	2	2½	3	4	5	6	8	10	12	14	16	18	20	24
Area, Sq. Ft. per Lineal Ft.	.22	.28	.35	.44	.50	.63	.76	.92	1.18	1.46	1.74	2.26	2.81	3.34	3.67	4.19	4.71	5.24	6.28

TABLE C - FACTOR Y - H(Ts-Ta)/L - APPROXIMATE CONDENSING RATE FOR BARE IRON AND STEEL PIPE*

Steam Pressure - PSIG	1	2	5	10	15	20	25	50	75	100	150	200	250	300	350	400	450	500	600
Steam Temperature - °F	215	219	227	239	250	259	267	298	320	338	366	388	406	422	436	448	460	470	489
Latent Heat - BTU/lb	968	966	961	952	945	939	934	911	895	879	856	839	820	804	790	776	764	751	728
Factor Y Cond - lbs/hr/sq.ft.	0.45	0.46	0.49	0.53	0.56	0.59	0.71	0.84	1.02	1.10	1.34	1.47	1.58	1.80	1.91	2.00	2.35	2.46	2.65

*Based on still air at 60F, recommended safety factors compensate for air at other temperatures. Used for steam trap selection only.

TABLE D — FACTOR X = (Tf-Ti)/L

Tf-Ti °F	STEAM PRESSURE - PSIG																			
	1	2	5	10	15	20	25	50	75	100	150	200	250	300	350	400	450	500	600	
40	.041	.041	.042	.042	.042	.043	.043	.044	.045	.045	.047	.048	.049	.050	.051	.052	.052	.053	.055	
60	.062	.062	.062	.063	.064	.064	.064	.066	.067	.068	.070	.072	.073	.075	.076	.077	.079	.080	.082	
80	.083	.083	.083	.084	.085	.085	.086	.087	.089	.091	.093	.096	.098	.100	.101	.103	.105	.106	.110	
100	.103	.103	.104	.105	.106	.106	.107	.110	.112	.114	.117	.120	.122	.124	.127	.129	.131	.133	.137	
120	.124	.124	.125	.126	.127	.128	.129	.132	.134	.136	.140	.144	.146	.149	.152	.155	.157	.160	.165	
140	.145	.145	.146	.147	.148	.149	.150	.154	.156	.159	.163	.167	.171	.174	.177	.180	.183	.186	.192	
160	.165	.166	.167	.168	.169	.170	.172	.176	.179	.182	.187	.191	.195	.199	.203	.206	.210	.213	.220	
180			.187	.189	.191	.192	.193	.198	.201	.204	.210	.215	.220	.224	.228	.232	.236	.240	.248	
200				.211	.212	.213	.214	.219	.224	.227	.234	.239	.244	.249	.253	.258	.262	.266	.275	
220					.235	.236	.242	.246	.250	.257	.262	.268	.274	.279	.283	.288	.293	.303		
240							.263	.268	.273	.280	.286	.292	.299	.304	.309	.314	.319	.330		
260								.290	.296	.304	.310	.317	.324	.329	.335	.340	.346	.357		
280								.313	.319	.327	.334	.342	.349	.354	.361	.367	.373	.385		
300										.350	.358	.366	.373	.380	.387	.393	.400	.412		

**TABLE E — FACTOR U, HEAT TRANSFER COEFFICIENTS
BTU/HR/SQ FT/°F TEMP. DIFFERENTIAL**

TYPE OF HEAT EXCHANGER	AVERAGE DESIGN VALUES	
	NATURAL CIRCULATION	FORCED CIRCULATION
STEAM TO WATER	125	300
STEAM TO OIL	20	45
STEAM TO MILK	125	300
STEAM TO PARAFFIN WAX	25	80
STEAM TO SUGAR & MOLASSES SOLUTIONS	75	150

Coefficients shown are suggested average design values. Higher or lower figures will be realized for many conditions. Use for steam trap selection only.

**TABLE F — FACTOR C, APPROXIMATE CONDENSING RATE FOR SUBMERGED SURFACES,
LBS/HR/SQ FT**

HEATING SURFACE	DIFFERENCE BETWEEN STEAM TEMPERATURE AND MEAN WATER TEMPERATURE*											
	25	50	75	100	125	150	175	200	225	250	275	300
IRON OR STEEL	1.6	5	10	17	25	34	45	57	70	84	99	114
BRASS	2.6	8	16	27	40	54	72	91	112	134	158	182
COPPER	3.2	10	20	34	50	68	90	114	140	168	198	228

* Mean water temperature is 1/2 the sum of inlet temperature plus outlet temperature. Table based on heating surfaces submerged in water with natural circulation. Safety factor of 50% has been included to allow for moderate scaling. If surface will remain bright, multiply above figures by 2. Use for steam trap selection only.

SIZING STEAM LINES

SIMPLE SIZING CRITERIA

Proper detailed design of a steam system should be done using detailed calculations for frictional losses in steam piping. The following examples and rules are meant to provide simple guidelines to see if steam pipe sizes are possibly undersized. They do not imply any design liability by Nicholson. Undersizing of steam lines can lead to reduced pressure to process equipment and impaired performance of valves, heat exchangers and steam traps. Steam line sizing along with condensate return line sizing should always be checked when a system is not performing up to expectations.

EXAMPLE: The system shown in Figure 3.1 will be used as our example. The Supply "S" at the right is 120 psig steam which is branching off to steam users A, B, C, D & E. The equipment usage is indicated in lbs/hr. The segments of piping will be addressed going backwards from the furthest end user A. The steam flow going through the pipe segment from the intersection X to equipment A is 1000 lb/hr (the usage of A). **A simple rule of thumb** for smaller steam piping (6" and below) is to keep steam velocities below 10,000 feet/minute (165 feet/second) for **short lengths of pipe only**.

The length of the steam line between X and A is 1000 feet, so the simple rule of thumb can not be applied here because the pressure drop will be too high. The pressure drop should be kept to a minimum, or supply pressure to the equipment will droop.

SOLUTION BY CHART: The chart is a graphic solution to help select pipe sizes. The pressure values used for this chart are in psia (absolute). For values given in gage pressure (psig), you must add 15 psi (14.7 psi actual). The example we will use is for saturated steam flow, but this chart does have corrections for superheat. There will be an overall system pressure drop, so that the pressure is assumed to be 5 to 10 psig below the supply pressure of 120 psig (135 psia). Enter the chart at the

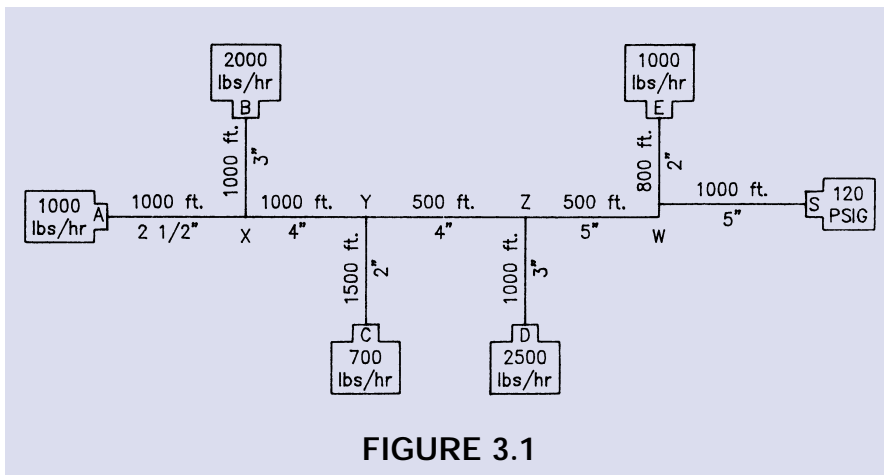


FIGURE 3.1

top at a point representing 130 psia and proceed vertically downward. Enter the chart at the right at the value of the steam flow in Lb/minute (1000 lb/hr = 16.7 lb/min) and move horizontally across until the horizontal line intersects the vertical line. You will proceed along the diagonal, downward and to the right, parallel with the other diagonal lines.

This chart can be used two ways: either to determine the pressure drop of an existing pipe or to determine the correct pipe size for a specific pressure drop.

TO SIZE LINES: On the bottom of the chart is a pressure drop per 100 feet of pipe, select a value of 0.25 psi per 100 feet. This indicates 2.5 psi as the total loss for 1000 feet. Enter the chart at the bottom at .25 and move upward until you intersect the diagonal line.

Proceed from the intersection horizontally left until you reach the actual pipe inside diameter to determine the pipe size. In this example, the pipe size for section X to A should be 2 1/2" pipe.

TO FIGURE PRESSURE DROP: Enter the chart on the left side at your pipe size and proceed horizontally until you intersect with the diagonal line. Proceed vertically downward to determine the pressure drop per 100 feet of pipe.

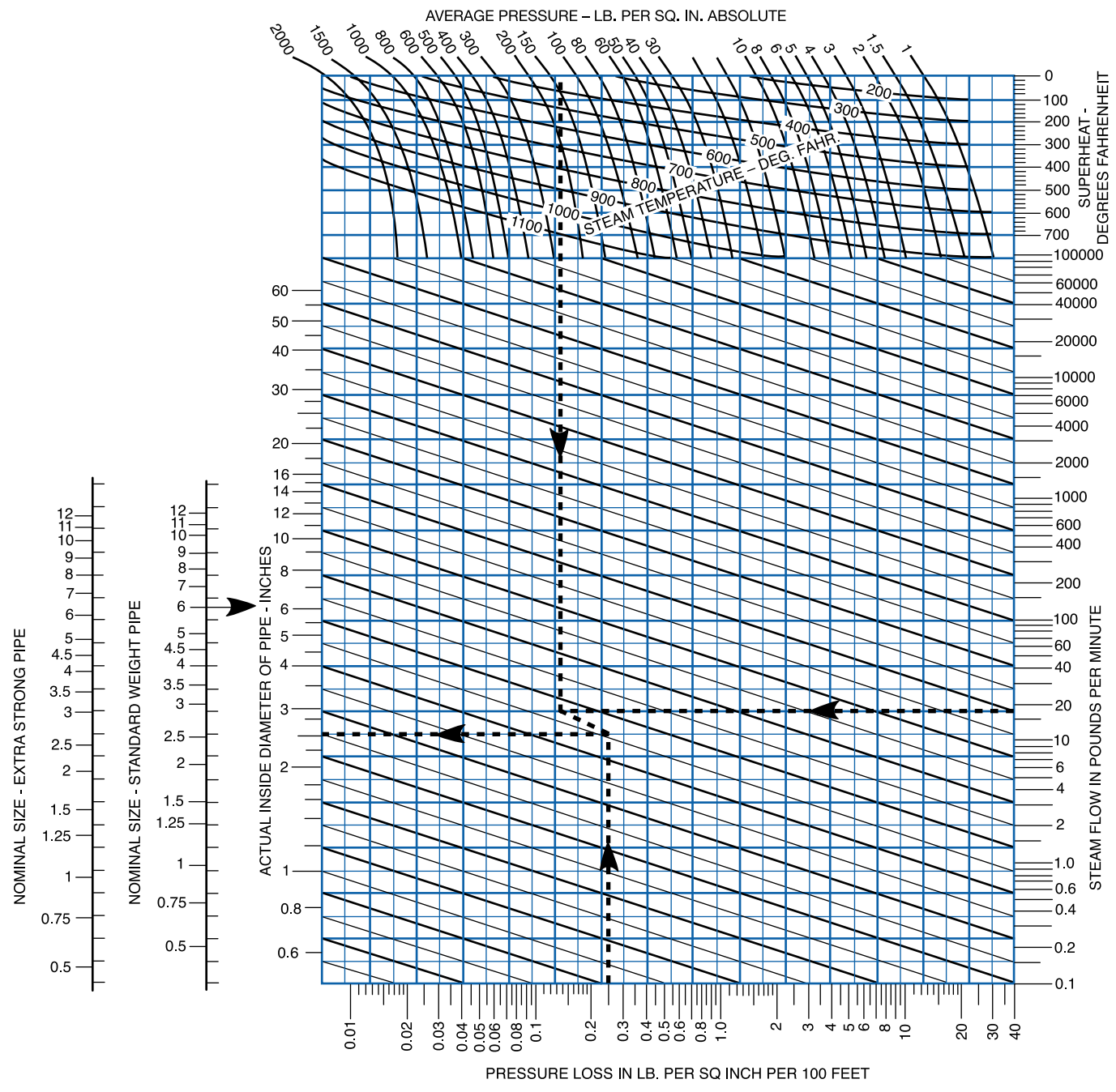
The next section of pipe to determine would be X to B. This would have the same pressure, but the intersection of

the vertical line would be at the horizontal steam flow of 33 lb/min (2000 lb/hr) for user B. The choice of pipe sizes can be argued, a 4" will yield 0.1 psi/100 feet pressure drop (1.0 psi per 1000 feet), but the more economical solution of a 3" pipe yields a 0.4psi/100 feet pressure drop. **Note:** when selecting the smaller more economical pipe size, there is less room for expansion and pressure drops will increase should additional process capacity arise.

For common sections of header such as Y to X, the steam flow for both steam users A and B must be combined. The vertical line will now intersect with the horizontal steam flow line coming across at 50 lb/min (3000 lb/hr). Using a 4" line will bring the pressure drop to a value of 0.22 psi/100 feet, or 2.2 psi for the 1000 foot section.

Remember that pressure drop figures from the bottom of the chart are per 100 feet, so segments such as Y to C have a larger total pressure drop because the distance is longer. Similarly, the total pressure drop from Z to Y is less because the distance is only 500 feet. The values for steam flow continue to be additive for each steam user: Z to Y is 3700 lb/hr (61.7 lb/min), W to Z is 6200 lb/hr (103.3 lb/min) and S to W is 7200 lb/hr (120 lb/min). Pipe sizes in Figure 3.1 are given for your reference and provide the user with reasonable pressure drops in the steam lines.

SIZING STEAM LINES CONT'D.



SIZING CONDENSATE RETURN LINES

SIZING CONDENSATE RETURN LINES

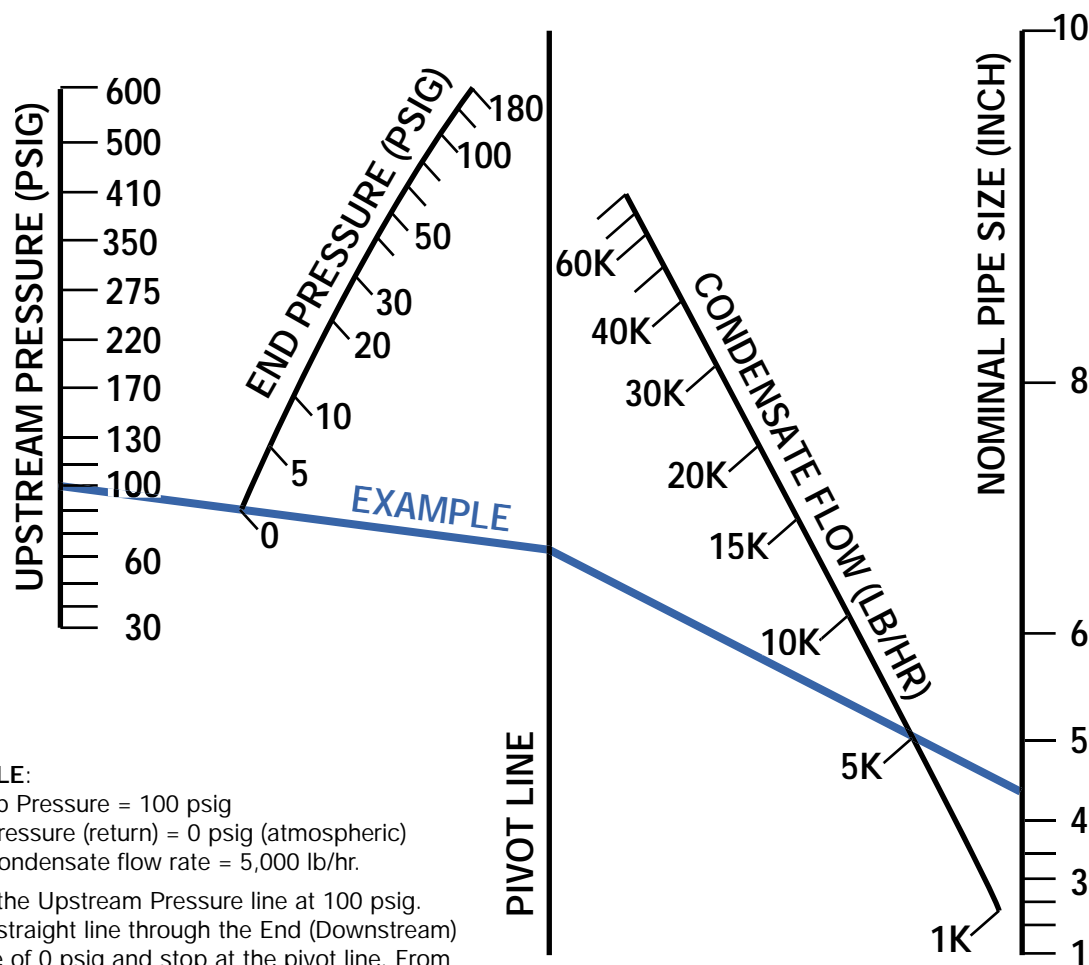
When condensate passes through a steam trap orifice, it drops from the upstream pressure in the heat exchanger to the downstream pressure in the condensate return line. The energy in the upstream condensate is greater than the energy in the downstream condensate. As the condensate passes through the steam trap, the additional energy from the upstream condensate forms a percentage of flash steam that changes based upon the upstream

and downstream pressures (this percentage can be seen in Table 5 in the Condensate Commander section).

When sizing condensate return lines after the steam trap, it is important to take into account the amount of flash steam created when hot, saturated condensate undergoes a pressure drop. The flash steam has very large volume and can cause very high velocities if the return line is not sized properly. These high velocities can create high backpressure in the return line that often

leads to poor steam trap performance.

We will size the condensate return line based upon flash steam velocities. The percentage of flash steam versus condensate (water) is usually on the order of 20 to 1, so the effect of the water in the system sizing is usually small. Choosing a velocity of flash steam is often subjective and different manufacturers will suggest different values. The nomograph below sizes return lines based upon 50 feet/second.



EXAMPLE:

Inlet Trap Pressure = 100 psig
 Outlet Pressure (return) = 0 psig (atmospheric)
 Actual condensate flow rate = 5,000 lb/hr.

Start at the Upstream Pressure line at 100 psig. Make a straight line through the End (Downstream) Pressure of 0 psig and stop at the pivot line. From that point, make a straight line through the Condensate Flow Rate of 5,000 and stop at the Nominal Pipe size line. It intersects slightly higher than 4". You may select the 4" line size without concern for undersizing the line because a low velocity of 50 ft/sec was used.

Note: If design requirements dictate using a velocity other than the 50 ft/sec value in the Nomograph, a ratio can be made of the pipe size because the velocity is proportional to the Pipe Diameter

squared. For example, if you require a Pipe Diameter for 80 ft/sec, use the following equation:

$$\text{Nomograph Diameter} \times \sqrt{\frac{50 \text{ FT/SEC}}{\text{New Velocity (FT/SEC)}}}$$

Example: The Nomograph Diameter determined in the previous example is 4.2". Using the above formula, the Pipe Diameter for 80 ft/sec is 3.3".

STEAM TRACING DESIGN GUIDELINES

V.1.1 INTRODUCTION

Steam tracing is one of many ways to preheat, add heat and prevent heat loss from piping systems and their components. Some other ways are:

- ☛ Jacketed piping
- ☛ Hot water and oil tracing
- ☛ Dowtherm tracing

Jacketed piping systems are used primarily to maintain a constant high temperature. Due to its high cost of construction, jacketed systems are seldom used except where temperature control is critical. Hot water and oil must be pumped at a high velocity to maintain a desired temperature, and must have a separate return header as does Dowtherm. Hot water, oil or dowtherm are also an additional system which add to the cost of a plant.

Steam tracing is most often selected because:

- ☛ There is generally available a surplus of low and/or medium pressure steam.
- ☛ Steam has a high latent heat and heat-transfer-coefficient.
- ☛ Steam condenses at a constant temperature.
- ☛ Steam flows to end-point without the aid of pumps (when designed correctly).
- ☛ A small amount of return piping is needed due to existing condensate headers.

V.1.2 USES

Freeze Protection (winterizing)

- ☛ Adding sufficient heat to above-grade piping systems and equipment which are exposed to ambient temperatures below the freezing point of their media prevents freezing.

Maintaining A Desired Temperature

- ☛ The viscosity of some liquids becomes higher as their temperatures become lower causing more difficult and costly pumping and leading to down-time for cleaning.
- ☛ Condensation may occur in some gases if the ambient temperature falls below the dewpoint which is harmful and expensive in such systems as:
 - Natural Gas where control valves freeze up and burners malfunction.
 - Compressor Suction Lines where compressors can be damaged.

V.1.3 MATERIAL

Steam tracing material is normally as follows:

- Use the material specified for steam piping from the steam header (through the distribution manifold, if applicable) to and including the tracer block valve.
- Use 1/4" through 7/8" O.D. copper or stainless steel tubing (depending on the design conditions) from the block valve to the steam trap. Though sizes may vary with different applications, 3/8" and 1/2" O.D. are the most often used. Tube fittings and adapters are normally flareless compression type or 37 degree flared type.
- Use the material specified for condensate piping from the steam trap (through the collection manifold, if applicable) to the condensate header or end-point (drain or grade).

V.1.4 DESIGN GUIDELINES

1. Steam piping should be run within 12" of the line or equipment being traced to minimize exposed tubing.
2. Spiral tracing should be limited to vertical piping using multiple tracers on horizontal lines which require more heat.

3. Tracers should be designed so that the flow is always down. **Avoid pockets!** Where vertical flow is unavoidable, steam pressure should be a minimum of 25 PSIG for every 10' of rise.
4. Tracers should be a maximum of 100' long and continuous from the supply to the collection manifold or endpoint. For lines over 100' long, provide another tracer and overlap the two 3 inches to avoid cold spots.
5. Tracers should have no branch tees except as indicated in *Section V.3*.
6. Provide each tracer with a separate strainer and steam trap.
7. Manifolds can be horizontal or vertical depending upon the design conditions.
8. Tracers should be attached to the pipe at 8" to 10" maximum intervals with stainless steel wire. Wire tension should be sufficient to hold the tracer secure and flush against the pipe.
9. Some piping materials, such as lined pipe, might require spacer blocks to avoid "hot spots".
10. Tracer loops with unions are necessary:
 - ☛ when joining tubing lengths.
 - ☛ at all break flanges and unions.
 - ☛ at all flanged valves.
11. Tracer discharge lines should be as short as possible since long discharge lines can freeze even with a fully functioning steam trap.

CLEAN STEAM DESIGN GUIDELINES

Clean Steam is a general term used to describe a range of steam pureness. It may be generated by such methods as:

- Filtration of plant steam typically requiring the removal of particles larger than 5 microns
- An independent steam generator. E.g. Stainless steel reboiler fed with distilled water.
- One stage of a multi-effect still within the overall water purification system.

Uses for Clean Steam vary by industry, however typical applications include:

- In-line sterilization of storage tanks and equipment
- Powering sterilizers and autoclaves
- Cleaning and sterilizing process piping systems without disassembling the piping system - commonly known as CIP (Clean in Place)
- Pasteurization utilizing Ultra High Temperature Processing (UHT)

The highest quality clean steam however, is typically used by the Pharmaceutical and Biotechnical industries. This steam, occasionally referred to as "Pure Steam", is most often supplied by an independent steam generator utilizing Water for Injection (WFI) as feed water. WFI is typically produced by a Reverse

Osmosis (RO) generator and then distilled thus removing any traces of organics, bacteria, and pyrogens. Pure steam is required for the sterilization of cell culture processing equipment such as incubators where contaminants could adversely affect cell growth. Other uses include pharmaceutical manufacture and direct steam injection pasteurization where contaminants could collect in products intended for human consumption.

Clean steam produced from high purity make up water is highly corrosive due to the minimal ion content. High purity water, pure steam and the resultant condensate will aggressively attempt to absorb or leach ions from their environment to achieve a more natural balance. Additionally, chemicals used to passivate steam and condensate in conventional systems are generally prohibited from clean steam system as such chemicals could contaminate or alter sensitive end products. Should corrosion begin, the oxidation byproducts may travel through the steam system catalyzing corrosion throughout in a process known as 'rouging'.

To combat the corrosive nature of clean steam, design practices require piping, fittings and valving to be comprised of corrosion resistant materials. Current industry accepted

materials include 304L, 316 and 316L stainless steel and higher alloys such as Inconel. While these materials have proven themselves in practice, it should be noted that there are currently no U.S. governmental standards specifying materials for clean steam service. Regulatory agencies concern themselves with the purity and quality of the product, leaving the design standards entirely up to the manufacturer.

In addition to the use of corrosion resistant materials in sanitary systems, features designed to inhibit bacterial growth are often required. Piping, valves and fittings should be free draining and maintain industry standard surface finishes. Free draining valves and fittings are designed not to retain or 'Puddle' condensate when installed correctly. After shut down of the steam system, any puddled condensate could potentially promote bacterial growth. Inadequate surface finishes reduce the effectiveness of system sterilization techniques, increasing the possibility of bacterial contamination. Industry standard surface finishes are measured in micro inches, the lower the number the smoother, and are expressed as an arithmetic average (Ra). Typical industry specified surface finishes range from 32 to 10 μ in. Ra.

PIPING & TRAPPING DESIGN GUIDELINES

1. Extra care should be taken for expansion stresses due to the higher coefficient of expansion for stainless steel.
2. Branch connections are to be made from the top of headers with the block valve as close as possible to the header.
3. The recommended types of branch connections are tees and reducing tees.
4. Steam lines should slope down to traps (recommended 1% min.).
5. A dirt leg with trap station is recommended at every change of elevation (no undrainable pockets).
6. Extra care should be taken in pipe supports to eliminate sagging.
7. Instruments in general should be kept to a minimum. However, where required, it is recommended that:
 - A) All are installed in tees.
 - B) Pressure gauges be installed with diaphragm seals.
 - C) Flow meters be installed in the vertical flow-up position to eliminate pockets
 - D) Pressure reducing stations be kept to a minimum.
8. Traps should be installed in the vertical flow-down position to eliminate pockets.
9. Trap block valves should be located as close as possible to the user.
10. Condensate lines should be sloped (recommended 1% min.) to the end point. Note that contaminated condensate should always be piped to a process sewer. Uncontaminated condensate (from drip legs) may be recovered, if cost effective, and used elsewhere in the plant (not as Clean Steam make-up).
11. Condensate terminal points should contain an air break (2" or 2 pipe diameters, whichever is greater) between the end of the pipe and the drain, floor or grade.
12. Test connections for traps are recommended-trap efficiency is essential for Clean Steam.

SIZING ELIMINATOR STEAM SEPARATORS

SIZING FOR AIR APPLICATIONS

Using your system pressure and capacity, select a size from the Pressure Drop Tables below that will yield a pressure drop in **boldface** type. This will provide the most efficient separation with velocities between 8 and 60 ft/s for sizes up to 2½" and between 8 and 50 ft/s for sizes 3" and above.

EXAMPLE

For a system under 400 PSIG with a capacity of 500 SCFM, a 2" or 2½" separator is recommended.

- A 2" separator will provide a 0.12 PSIG pressure drop.
- A 2½" separator will provide a 0.06 PSIG pressure drop.

ELIMINATOR PRESSURE DROP TABLES – AIR

1/2 INCH ELIMINATOR

SCFM	PRESSURE (PSIG)								
	25	50	75	100	200	300	400	500	600
10	0.07	0.04	0.03	0.02	0.01	0.01	0.01	0.01	0
20	0.27	0.17	0.12	0.09	0.05	0.03	0.03	0.02	0.02
30	0.61	0.37	0.27	0.21	0.11	0.08	0.06	0.05	0.04
40	1.08	0.66	0.48	0.37	0.2	0.14	0.1	0.08	0.07
50	1.69	1.03	0.75	0.58	0.31	0.21	0.16	0.13	0.11
60	2.43	1.49	1.07	0.84	0.45	0.31	0.23	0.19	0.16

1 INCH ELIMINATOR

SCFM	PRESSURE (PSIG)								
	25	50	75	100	200	300	400	500	600
25	0.05	0.03	0.02	0.02	0.01	0.01	0	0	0
50	0.2	0.12	0.09	0.07	0.04	0.03	0.02	0.02	0.01
75	0.45	0.28	0.2	0.16	0.08	0.06	0.04	0.03	0.03
100	0.8	0.49	0.36	0.28	0.15	0.1	0.08	0.06	0.05
125	1.26	0.77	0.56	0.43	0.23	0.16	0.12	0.1	0.08
150	1.81	1.11	0.8	0.63	0.33	0.23	0.17	0.14	0.12

1-1/2 INCH ELIMINATOR

SCFM	PRESSURE (PSIG)								
	25	50	75	100	200	300	400	500	600
50	0.04	0.02	0.02	0.01	0.01	0	0	0	0
100	0.14	0.09	0.06	0.05	0.03	0.02	0.01	0.01	0.01
150	0.32	0.2	0.14	0.11	0.06	0.04	0.03	0.02	0.02
200	0.57	0.35	0.25	0.2	0.11	0.07	0.05	0.04	0.04
250	0.89	0.55	0.39	0.31	0.16	0.11	0.09	0.07	0.06
300	1.28	0.79	0.57	0.44	0.24	0.16	0.12	0.1	0.08

2-1/2 INCH ELIMINATOR

SCFM	PRESSURE (PSIG)								
	25	50	75	100	200	300	400	500	600
100	0.03	0.02	0.01	0.01	0	0	0	0	0
250	0.16	0.1	0.07	0.06	0.03	0.02	0.02	0.01	0.01
500	0.64	0.39	0.28	0.22	0.12	0.08	0.06	0.05	0.04
750	1.43	0.88	0.63	0.5	0.26	0.18	0.14	0.11	0.09
1000	2.54	1.56	1.13	0.88	0.47	0.32	0.24	0.2	0.16
1250	3.97	2.44	1.76	1.38	0.73	0.5	0.38	0.31	0.26

4 INCH ELIMINATOR

SCFM	PRESSURE (PSIG)								
	25	50	75	100	200	300	400	500	600
250	0.02	0.01	0.01	0.01	0	0	0	0	0
500	0.09	0.05	0.04	0.03	0.02	0.01	0.01	0.01	0.01
1000	0.36	0.22	0.16	0.12	0.07	0.04	0.03	0.03	0.02
1500	0.8	0.49	0.35	0.28	0.15	0.1	0.08	0.06	0.05
2000	1.42	0.87	0.63	0.49	0.26	0.18	0.14	0.11	0.09
2500	2.22	1.36	0.98	0.77	0.41	0.28	0.21	0.17	0.14

3/4 INCH ELIMINATOR

SCFM	PRESSURE (PSIG)								
	25	50	75	100	200	300	400	500	600
10	0.02	0.01	0.01	0.01	0	0	0	0	0
25	0.13	0.08	0.06	0.05	0.02	0.02	0.01	0.01	0.01
50	0.53	0.33	0.23	0.18	0.1	0.07	0.05	0.04	0.03
70	1.04	0.64	0.46	0.36	0.19	0.13	0.1	0.08	0.07
90	1.72	1.05	0.76	0.59	0.32	0.22	0.16	0.13	0.11
110	2.57	1.58	1.14	0.89	0.47	0.32	0.25	0.2	0.17

1-1/4 INCH ELIMINATOR

SCFM	PRESSURE (PSIG)								
	25	50	75	100	200	300	400	500	600
50	0.07	0.04	0.03	0.02	0.01	0.01	0.01	0.01	0
100	0.26	0.16	0.12	0.09	0.05	0.03	0.03	0.02	0.02
150	0.59	0.37	0.26	0.21	0.11	0.08	0.06	0.05	0.04
200	1.06	0.65	0.47	0.37	0.2	0.13	0.1	0.08	0.07
250	1.65	1.01	0.73	0.57	0.31	0.21	0.16	0.13	0.11
300	2.38	1.46	1.05	0.82	0.44	0.3	0.23	0.18	0.15

2 INCH ELIMINATOR

SCFM	PRESSURE (PSIG)								
	25	50	75	100	200	300	400	500	600
100	0.05	0.03	0.02	0.02	0.01	0.01	0	0	0
200	0.21	0.13	0.09	0.07	0.04	0.03	0.02	0.02	0.01
300	0.46	0.29	0.21	0.16	0.09	0.06	0.04	0.04	0.03
400	0.83	0.51	0.37	0.29	0.15	0.1	0.08	0.06	0.05
500	1.29	0.79	0.57	0.45	0.24	0.16	0.12	0.1	0.08
600	1.86	1.14	0.82	0.64	0.34	0.23	0.18	0.14	0.12

3 INCH ELIMINATOR

SCFM	PRESSURE (PSIG)								
	25	50	75	100	200	300	400	500	600
200	0.04	0.03	0.02	0.01	0.01	0.01	0	0	0
400	0.17	0.1	0.08	0.06	0.03	0.02	0.02	0.01	0.01
600	0.38	0.23	0.17	0.13	0.07	0.05	0.04	0.03	0.02
800	0.68	0.42	0.3	0.24	0.13	0.09	0.07	0.05	0.04
1000	1.06	0.65	0.47	0.37	0.2	0.13	0.1	0.08	0.07
1200	1.53	0.94	0.68	0.53	0.28	0.19	0.15	0.12	0.1

6 INCH ELIMINATOR

SCFM	PRESSURE (PSIG)								
	25	50	75	100	200	300	400	500	600
500	0.02	0.01	0.01	0.01	0	0	0	0	0
1000	0.07	0.04	0.03	0.02	0.01	0.01	0.01	0.01	0
2000	0.27	0.17	0.12	0.09	0.05	0.03	0.03	0.02	0.02
3000	0.62	0.38	0.27	0.21	0.11	0.08	0.06	0.05	0.04
4000	1.09	0.67	0.48	0.38	0.2	0.14	0.1	0.08	0.07
5000	1.71	1.05	0.76	0.59	0.32	0.22	0.16	0.13	0.11

TECHNICAL REFERENCE

Clean Steam is high purity steam that is sterile and pyrogen free. It is used by hospitals and research institutions as well as in the Pharmaceutical, Biotechnical, Electronics, Food and Cosmetics Industries.

NICHOLSON has become an innovator in Clean Steam applications through extensive research and development, working closely with major engineering firms in the pharmaceutical and biotechnical industries throughout the United States. From revolutionary new designs such as the CDH Series to the value oriented DS100 Series, **NICHOLSON** innovations set the standard for Clean Steam management.

STEAM TABLE*

h = Total heat of steam, Btu per pound

v = Specific volume, cubic feet per pound

Pres- sure psi (gage)	Temper- ature F° (sat.)	Satur- ated Liquid	Satur- ated Vapor	TOTAL TEMPERATURE, °F														
				220	240	260	280	300	320	340	360	380	400	420	440	460		
0	212	h v	180.1 0.0167	1150.4 26.80	1154.4 27.15	1164.2 28.00	1173.8 28.85	1183.3 29.70	1192.8 30.53	1202.3 31.37	1211.7 32.20	1221.1 33.03	1230.5 33.85	1239.9 34.68	1249.3 35.50	1258.8 36.32	1268.2 37.14	
5	228	h v	196.2 0.0168	1156.3 20.089		1162.3 20.48	1172.2 21.11	1182.0 21.74	1191.6 22.36	1201.2 22.98	1210.8 23.60	1220.3 24.21	1229.7 24.82	1239.2 25.43	1248.7 26.04	1258.2 26.65	1267.6 27.25	
10	240	h v	208.4 0.0169	1160.6 16.303			1170.7 16.819	1180.6 17.330	1190.5 17.836	1200.2 18.337	1209.8 18.834	1219.4 19.329	1229.0 19.821	1238.5 20.31	1248.1 20.80	1257.6 21.29	1267.1 21.77	
15	250	h v	218.8 0.0170	1164.1 13.746			1169.1 13.957	1179.3 14.390	1189.3 14.816	1199.1 15.238	1208.9 15.657	1218.6 16.072	1228.3 16.485	1237.9 16.897	1247.5 17.306	1257.0 17.714	1266.6 18.121	
20	259	h v	227.9 0.0171	1167.1 11.898			1167.5 11.911	1177.9 12.288	1188.1 12.659	1198.1 13.025	1208.0 13.387	1217.8 13.746	1227.5 14.103	1237.2 14.457	1246.8 14.810	1256.4 15.162	1266.1 15.512	
25	267	h v	236.0 0.0171	1169.7 10.498				1176.5 10.711	1186.8 11.040	1197.0 11.364	1207.0 11.684	1216.9 12.001	1226.7 12.315	1236.5 12.628	1246.2 12.938	1255.9 13.247	1265.5 13.555	
30	274	h v	243.4 0.0172	1172.0 9.401				1175.0 9.484	1185.6 9.781	1195.9 10.072	1206.0 10.359	1216.0 10.643	1225.9 10.925	1235.8 11.204	1245.6 11.482	1255.3 11.758	1265.0 12.0033	
40	287	h v	256.3 0.0173	1175.9 7.787					1183.0 7.947	1193.6 8.192	1204.0 8.432	1214.3 8.668	1224.4 8.902	1234.3 9.134	1244.3 9.364	1254.1 9.592	1263.9 9.819	
50	298	h v	267.5 0.0174	1179.1 6.655					1180.3 6.676	1191.3 6.889	1202.0 7.096	1212.5 7.300	1222.7 7.501	1232.9 7.700	1242.9 7.896	1252.9 8.091	1262.8 8.285	
60	308	h v	277.4 0.0175	1181.9 5.816						1188.9 5.9321	1199.9 6.116	1210.6 6.296	1221.1 6.473	1231.4 6.648	1241.6 6.820	1251.7 6.991	1261.7 7.161	
70	316	h v	286.4 0.0176	1184.2 5.168						1186.4 5.200	1197.7 5.366	1208.7 5.528	1219.4 5.687	1229.9 5.843	1240.2 5.997	1250.4 6.150	1260.6 6.301	
80	324	h v	294.6 0.0177	1186.2 4.652							1195.5 4.773	1206.7 4.921	1217.7 5.065	1228.3 5.207	1238.8 5.347	1249.2 5.485	1259.4 5.621	
90	331	h v	302.1 0.0178	1188.1 4.232							1193.2 4.292	1204.7 4.429	1215.9 4.562	1226.7 4.693	1237.4 4.821	1247.9 4.947	1258.2 5.071	
100	338	h v	309.1 0.0178	1189.7 3.882							1190.8 3.895	1202.7 4.022	1214.1 4.146	1225.2 4.267	1236.0 4.385	1246.6 4.502	1257.1 4.617	
125	353	h v	324.8 0.0180	1193.0 3.220								1197.3 3.258	1209.4 3.365	1211.1 3.468	1232.3 3.569	1243.3 3.667	1254.1 3.764	
150	366	h v	338.5 0.0182	1195.6 2.752									1204.5 2.818	1216.7 2.910	1228.4 2.998	1239.8 3.085	1251.0 3.169	
175	378	h v	350.8 0.0183	1197.6 2.404										1199.3 2.414	1212.2 2.498	1224.5 2.577	1236.3 2.655	1247.8 2.730
200	388	h v	361.9 0.0185	1199.3 2.134											1207.4 2.180	1220.3 2.253	1232.6 2.324	1244.5 2.393
225	397	h v	372.1 0.0186	1200.6 1.9183											1202.5 1.9276	1216.0 1.9964	1228.8 2.062	1241.1 2.126
250	406	h v	381.6 0.0187	1201.7 1.7422												1211.5 1.7870	1224.9 1.8488	1237.6 1.9081
275	414	h v	390.5 0.0188	1202.6 1.5954												1206.8 1.6130	1220.8 1.6717	1234.0 1.7277
300	422	h v	398.8 0.0190	1203.2 1.4711													1216.5 1.5222	1230.3 1.5755
350	436	h v	414.1 0.0192	1204.1 1.2720													1207.5 1.2831	1222.4 1.3326
400	448	h v	428.1 0.0194	1204.6 1.1194														1214.0 1.1468
450	460	h v	440.9 0.0196	1204.6 0.9985														
500	470	h v	452.9 0.0198	1204.2 0.9004														
550	480	h v	464.1 0.0200	1203.7 0.8191														
600	489	h v	474.7 0.0202	1203.0 0.7503														

*Adapted with permission from "Thermodynamic Properties of Steam", Keenan and Keyes, published by John Wiley & Sons, Inc.

STEAM TABLE*

h = Total heat of steam, Btu per pound

v = Specific volume, cubic feet per pound

TOTAL TEMPERATURE, °F															Temperature °F (sat.)	Pressure psi (gage)	
480	500	520	540	560	580	600	620	640	660	680	700	720	740	750			
1277.6 37.96	1287.1 38.78	1296.6 39.60	1306.2 40.41	1315.7 41.23	1325.3 42.04	1334.8 42.86	1344.5 43.68	1354.2 44.49	1363.8 45.31	1373.5 46.12	1383.2 46.94	1393.0 47.75	1402.8 48.56	1407.7 48.97	h v	212	0
1277.1 27.86	1286.6 28.46	1296.2 29.06	1305.7 29.67	1315.3 30.27	1324.8 30.87	1334.4 31.47	1344.1 32.07	1353.8 32.67	1363.5 33.27	1373.2 33.87	1382.9 34.47	1392.7 35.07	1402.6 35.67	1407.5 35.96	h v	228	5
1276.6 22.26	1286.2 22.74	1295.8 23.22	1305.3 23.71	1314.9 24.19	1324.5 24.68	1334.1 25.16	1343.8 25.64	1353.5 26.12	1363.2 26.60	1372.9 27.08	1382.6 27.56	1392.5 28.04	1402.3 28.52	1407.2 28.76	h v	240	10
1276.2 18.528	1285.7 18.933	1295.3 19.337	1304.9 19.741	1314.5 20.144	1324.2 20.547	1333.8 20.95	1343.5 21.35	1353.2 21.75	1362.9 22.15	1372.6 22.56	1382.4 22.96	1392.3 23.36	1402.1 23.76	1407.0 23.96	h v	250	15
1275.7 15.862	1285.3 16.210	1294.9 16.558	1304.5 16.905	1314.1 17.251	1323.8 17.597	1333.5 17.943	1343.2 18.288	1352.9 18.633	1362.6 18.977	1372.3 19.322	1382.1 19.666	1391.9 20.01	1401.8 20.35	1406.7 20.52	h v	259	20
1275.2 13.862	1284.8 14.168	1294.5 14.473	1304.1 14.778	1313.8 15.082	1323.4 15.385	1333.1 15.688	1342.8 15.990	1352.5 16.293	1362.3 16.595	1372.1 16.896	1381.9 17.198	1391.7 17.499	1401.6 17.8001	1406.5 7.951	h v	267	25
1274.7 12.307	1284.4 12.580	1294.0 12.852	1303.7 13.123	1313.4 13.394	1323.1 13.665	1332.8 13.935	1342.5 14.204	1352.2 14.473	1362.0 14.742	1371.8 15.011	1381.6 15.279	1391.5 15.547	1401.4 15.815	1406.3 15.949	h v	274	30
1273.7 10.044	1283.4 10.269	1293.2 10.493	1302.9 10.717	1312.6 10.940	1322.4 11.162	1332.1 11.384	1341.9 11.605	1351.7 11.826	1361.5 12.047	1371.3 12.268	1381.1 12.488	1391.0 12.708	1400.9 12.927	1405.8 13.037	h v	287	40
1272.7 8.478	1282.5 8.670	1292.3 8.861	1302.1 9.051	1311.9 9.240	1321.7 9.429	1331.5 9.618	1341.3 9.806	1351.1 9.993	1360.9 10.181	1370.8 10.368	1380.6 10.555	1390.5 10.741	1400.4 10.928	1405.4 11.021	h v	298	50
1271.6 7.329	1281.5 7.496	1291.4 7.663	1301.3 7.829	1311.1 7.994	1321.0 8.159	1330.8 8.323	1340.6 8.486	1350.5 8.649	1360.3 8.812	1370.2 8.975	1380.1 9.138	1390.0 9.300	1399.9 9.462	1404.9 9.543	h v	308	60
1270.6 6.450	1280.6 6.599	1290.5 6.747	1300.5 6.894	1310.4 7.041	1320.2 7.187	1330.1 7.332	1340.0 7.477	1349.9 7.622	1359.8 7.766	1369.7 7.910	1379.6 8.054	1389.6 8.198	1399.5 8.341	1404.5 8.413	h v	316	70
1269.5 5.756	1279.6 5.891	1289.6 6.024	1299.6 6.156	1309.6 6.288	1319.5 6.419	1329.4 6.550	1339.4 6.680	1349.3 6.810	1359.3 6.940	1369.2 7.069	1379.1 7.199	1389.1 7.327	1399.0 7.456	1404.0 7.520	h v	324	80
1268.5 5.195	1278.6 5.317	1288.7 5.439	1298.8 5.559	1308.8 5.679	1318.8 5.799	1328.7 5.918	1338.7 6.036	1348.7 6.154	1358.6 6.272	1368.6 6.389	1378.5 6.506	1388.5 6.623	1398.5 6.740	1403.5 6.798	h v	331	90
1267.4 4.730	1277.7 4.843	1287.8 4.955	1297.9 5.066	1308.0 5.176	1318.0 5.285	1328.1 5.394	1338.1 5.503	1348.0 5.611	1358.0 5.719	1368.0 5.827	1378.0 5.934	1388.1 6.041	1398.1 6.148	1403.1 6.201	h v	338	100
1266.7 3.860	1276.2 3.954	1285.5 4.047	1295.8 4.140	1306.0 4.232	1316.2 4.323	1326.4 4.413	1336.5 4.503	1346.6 4.593	1356.6 4.683	1366.7 4.772	1376.8 4.861	1386.9 4.949	1397.0 5.038	1402.0 5.082	h v	353	125
1261.9 3.252	1272.6 3.334	1283.2 3.414	1293.6 3.494	1304.0 3.573	1314.3 3.652	1324.6 3.730	1334.8 3.807	1345.0 3.884	1355.2 3.960	1365.3 4.037	1375.4 4.113	1385.6 4.188	1395.8 4.264	1400.8 4.301	h v	366	150
1259.0 2.804	1270.0 2.877	1280.8 2.948	1291.4 3.019	1302.0 3.089	1312.4 3.157	1322.8 3.226	1333.2 3.294	1343.5 3.361	1353.7 3.429	1363.9 3.495	1374.2 3.562	1384.4 3.628	1394.6 3.694	1399.7 3.727	h v	378	175
1256.0 2.460	1267.3 2.525	1278.3 2.590	1289.2 2.653	1299.9 2.716	1310.5 2.777	1321.0 2.839	1331.4 2.900	1341.8 2.960	1352.2 3.019	1362.5 3.079	1372.8 3.139	1383.1 3.198	1393.3 3.256	1398.5 3.286	h v	388	200
1253.0 2.187	1264.5 2.247	1275.8 2.306	1286.9 2.364	1297.8 2.421	1308.5 2.477	1319.2 2.533	1329.8 2.587	1340.3 2.642	1350.7 2.696	1361.1 2.750	1371.5 2.804	1381.9 2.857	1392.2 2.910	1397.3 2.936	h v	397	225
1249.9 1.9654	1261.7 2.021	1273.2 2.076	1284.5 2.129	1295.6 2.181	1306.5 2.233	1317.3 2.284	1328.0 2.334	1338.7 2.384	1349.2 2.434	1359.7 2.483	1370.2 2.532	1380.6 2.580	1391.0 2.629	1396.2 2.653	h v	406	250
1246.6 1.7816	1258.8 1.8338	1270.6 1.8846	1282.1 1.9342	1293.4 1.9829	1304.5 2.031	1315.5 2.078	1326.3 2.125	1337.0 2.171	1347.7 2.217	1358.3 2.262	1368.8 2.307	1379.3 2.352	1389.8 2.396	1395.0 2.418	h v	414	275
1243.3 1.6266	1255.8 1.6759	1267.9 1.7237	1279.7 1.7703	1291.2 1.8159	1302.5 1.8607	1313.6 1.9048	1324.5 1.9483	1335.4 1.9912	1346.1 2.034	1356.8 2.076	1367.4 2.118	1378.0 2.159	1388.6 2.200	1393.8 2.220	h v	422	300
1236.4 1.3795	1249.6 1.4243	1262.4 1.4675	1274.7 1.5094	1286.6 1.5501	1298.2 1.5900	1309.7 1.6291	1320.9 1.6676	1332.0 1.7056	1343.0 1.7430	1353.9 1.7801	1364.7 1.8168	1375.4 1.8531	1386.1 1.8892	1391.4 1.9071	h v	436	350
1229.0 1.1908	1243.2 1.2325	1256.6 1.2724	1269.4 1.3108	1281.8 1.3480	1293.9 1.3842	1305.7 1.4196	1317.2 1.4544	1328.6 1.4885	1339.8 1.5222	1350.9 1.5554	1361.9 1.5883	1372.8 1.6207	1383.6 1.6529	1389.0 1.6689	h v	448	400
1221.2 1.0416	1236.3 1.0811	1250.5 1.1186	1264.0 1.1544	1276.9 1.1889	1289.4 1.2224	1301.6 1.2550	1313.5 1.2868	1325.1 1.3180	1336.5 1.3488	1347.8 1.3789	1359.0 1.4088	1370.1 1.4382	1381.1 1.4675	1386.5 1.4819	h v	460	450
1212.8 0.9204	1229.0 0.9584	1244.0 0.9941	1258.3 1.0280	1271.8 1.0604	1284.8 1.0917	1297.3 1.1221	1309.6 1.1516	1321.5 1.1805	1333.2 1.2088	1344.7 1.2367	1356.1 1.2641	1367.3 1.2913	1378.4 1.3180	1384.0 1.3313	h v	470	500
	1221.4 0.8565	1237.4 0.8909	1252.4 0.9234	1266.5 0.9542	1280.0 0.9838	1293.0 1.0124	1305.6 1.0401	1317.8 1.0671	1329.8 1.0935	1341.6 1.1195	1353.2 1.1449	1364.6 1.1700	1375.8 1.1947	1381.4 1.2070	h v	480	550
	1213.2 0.7703	1230.3 0.8040	1246.1 0.8353	1261.0 0.8649	1275.1 0.8931	1288.5 0.9203	1301.5 0.9465	1314.1 0.9720	1326.3 0.9968	1338.3 1.0211	1350.2 1.0450	1361.8 1.0684	1373.2 1.0916	1378.9 1.1030	h v	489	600

*Adapted with permission from "Thermodynamic Properties of Steam", Keenan and Keyes, published by John Wiley & Sons, Inc.

PRESSURE TO VACUUM

PROPERTIES OF WATER

Gage Indicated		Absolute Pressure		
PSIG	Inches of Hg	PSIA	Inches of Hg	Torrlicelli
-14.70000	29.92000	0.0	0.0	0.0
-14.69998	29.91996	0.00002	0.00004	0.001
-14.69996	29.91992	0.00004	0.00008	0.002
-14.69994	29.91988	0.00006	0.00012	0.003
-14.69992	29.91984	0.00008	0.00016	0.004
-14.69990	29.91980	0.00010	0.00020	0.005
-14.69981	29.91961	0.00019	0.00039	0.010
-14.69961	29.91921	0.00039	0.00079	0.020
-14.69942	29.91882	0.00058	0.00118	0.030
-14.69923	29.91843	0.00077	0.00157	0.040
-14.69903	29.91803	0.00097	0.00197	0.050
-14.69806	29.91606	0.00194	0.00394	0.100
-14.69613	29.91212	0.00387	0.00788	0.200
-14.69449	29.90818	0.00551	0.01182	0.300
-14.69226	29.90424	0.00774	0.01576	0.400
-14.69032	29.90030	0.00968	0.01970	0.500
-14.68066	29.88063	0.01934	0.03937	1.000
-14.66698	29.84126	0.03302	0.07874	2.000
-14.64197	29.80189	0.05803	0.11811	3.000
-14.62262	29.76252	0.07738	0.15748	4.000
-14.60329	29.72315	0.09671	0.19685	5.000
-14.50658	29.52630	0.19342	0.39370	10.000
-14.40980	29.32940	0.29020	0.59060	15.000
-14.31320	29.13260	0.38680	0.78740	20.000
-14.21840	28.93570	0.48160	0.98430	25.000
-14.20870	28.920	0.49130	1.000	25.400
-14.11970	28.740	0.58030	1.181	30.000
-13.75700	28.000	0.94330	1.920	48.770
-12.28300	25.000	2.41700	4.920	124.970
-10.31800	21.000	4.38200	8.920	226.570
-8.84400	18.000	5.85600	11.920	302.770
-7.37000	15.000	7.320	14.920	378.970
-5.89600	12.000	8.804	17.920	455.770
-4.91300	10.000	9.787	19.920	505.970
-3.93000	8.000	10.770	21.920	556.770
-2.94800	6.000	11.752	23.920	607.570
-1.96500	4.000	12.735	25.920	658.370
-0.98300	2.000	13.732	27.920	709.170
-0.49100	1.000	14.209	28.920	733.570
-0.24600	0.500	14.454	29.420	747.270
ATMOSPHERIC				
0.0	0.0	14.700	29.920	760.000
+ 0.30		15.000	30.540	775.720
+ 1.00		15.700	31.970	811.910
+ 2.00		16.700	34.000	863.630
+ 10.00		24.700	50.290	277.35

Water Temp.	Saturation Pressure	Weight	Weight Density	Specific Volume
Deg. F	PSIA	lbs/Gallon	lbs/Cu.Ft.	Cu.Ft./lb
32	0.0886	8.344	62.414	0.016022
40	0.1216	8.345	62.426	0.016019
50	0.1780	8.343	62.410	0.016023
60	0.2561	8.338	62.371	0.016033
70	0.3629	8.329	62.305	0.016050
80	0.5068	8.318	62.220	0.016072
90	0.6981	8.304	62.116	0.016099
100	0.9492	8.288	61.996	0.016130
110	1.2750	8.270	61.862	0.016165
120	1.6927	8.250	61.713	0.016204
130	2.2230	8.228	61.550	0.016247
140	2.8892	8.205	61.376	0.016293
150	3.7184	8.180	61.188	0.016343
160	4.7414	8.154	60.994	0.016395
170	5.9926	8.126	60.787	0.016451
180	7.5110	8.097	60.569	0.016510
190	9.340	8.067	60.343	0.016572
200	11.526	8.035	60.107	0.016637
210	14.123	8.002	59.862	0.016705
212	14.696	7.996	59.812	0.016719
220	17.186	7.969	59.613	0.016775
240	24.968	7.898	59.081	0.016926
260	35.427	7.823	58.517	0.017089
280	49.200	7.743	57.924	0.017264
300	67.005	7.661	57.307	0.01745
350	134.604	7.431	55.586	0.01799
400	247.259	7.172	53.648	0.01864
450	422.55	6.880	51.467	0.01943
500	680.86	6.543	48.948	0.02043
550	1045.43	6.143	45.956	0.02176
600	1543.2	5.655	42.301	0.02364
650	2208.4	4.999	37.397	0.02674
700	3094.3	3.651	27.307	0.03662

NOTE:

Weight of water per gallon is based on 7.48052 gallons per cubic foot.

Specific gravity of water @ 60°F = 1.00

CONDENSATION WARM-UP LOADS

Steam Pressure PSIG	HEADER SIZE														0°F*
	2"	2½"	3"	4"	5"	6"	8"	10"	12"	14"	16"	18"	20"	24"	Correct Factor
1	6.4	10.2	13.3	19.0	25.7	33.3	50	71	94	111	145	184	216	301	1.50
5	7.2	11.4	14.9	21.2	28.7	37.2	56	80	105	124	163	206	241	336	1.45
10	7.8	12.4	16.2	23.0	31.2	40.5	61	86	114	135	177	224	262	365	1.41
20	8.8	14.0	18.3	26.0	35.2	45.7	69	98	129	153	200	253	296	413	1.37
40	10.3	16.4	21.4	30.5	41.3	53.6	81	114	151	179	234	296	347	484	1.32
60	11.5	18.2	23.9	34.0	46.0	59.7	90	127	169	200	261	330	387	539	1.29
80	12.5	19.8	25.9	36.9	50.0	64.8	98	138	183	217	283	358	420	585	1.27
100	13.3	21.1	27.7	39.4	53.4	69.3	104	148	195	231	302	383	449	625	1.26
125	14.3	22.6	29.6	42.2	57.2	74.2	112	158	209	248	324	410	481	670	1.25
150	15.1	24.0	31.4	44.7	60.6	78.6	118	168	222	263	343	434	509	709	1.24
175	15.9	25.2	33.0	47.0	63.7	82.7	124	176	233	276	361	457	536	746	1.23
200	16.6	26.4	34.5	49.1	66.6	86.4	130	184	244	289	377	477	560	779	1.22
250	17.9	28.5	37.3	53.0	71.9	93.3	140	199	263	312	407	515	604	842	1.21
300	26.3	40.2	53.8	78.6	109.0	150.0	228	338	464	557	716	896	1096	1555	1.20
400	29.3	44.8	59.9	87.7	121.5	167.0	254	376	517	620	798	998	1221	1733	1.19
500	32.1	48.9	65.5	95.7	132.8	182.5	277	411	566	678	872	1091	1335	1894	1.18
600	34.6	52.9	70.7	103.4	143.4	197.1	299	444	611	732	942	1179	1441	2045	1.17

Condensation loads are in pounds per hour per 100 feet of insulated steam main with ambient temperature of 70°F and an insulation efficiency of 80%.

Loads are based on Schedule 40 pipe for pressures up to and including 250 PSIG and on schedule 80 pipe for pressures above 250 PSIG.

CONDENSATION LOADS

Steam Pressure PSIG	HEADER SIZE														0°F*
	2"	2½"	3"	4"	5"	6"	8"	10"	12"	14"	16"	18"	20"	24"	Correct Factor
1	4.6	5.5	6.6	8.3	10.1	11.8	15.1	18.6	21.8	23.8	26.9	30.1	33.2	39.4	1.40
5	5.1	6.1	7.3	9.3	11.3	13.3	16.9	20.8	24.4	26.6	30.1	33.7	37.2	44.1	1.37
10	5.7	6.8	8.2	10.3	12.6	14.8	18.9	23.2	27.2	29.7	33.7	37.6	41.5	49.3	1.34
20	6.7	8.0	9.7	12.2	14.8	17.4	22.3	27.4	32.1	35.1	39.7	44.4	49.0	58.2	1.29
40	8.4	10.0	12.0	15.1	18.4	21.7	27.7	34.1	40.0	43.6	49.5	55.3	61.0	72.5	1.24
60	9.7	11.6	13.9	17.6	21.4	25.2	32.2	39.6	46.5	50.7	57.5	64.3	71.0	84.3	1.22
80	10.9	13.0	15.6	19.7	24.0	28.2	36.2	44.4	52.2	57.0	64.6	72.2	79.7	94.7	1.20
100	11.9	14.3	17.1	21.6	26.4	31.0	39.7	48.9	57.4	62.6	71.0	79.4	87.7	104.2	1.18
125	13.2	15.7	18.9	23.8	29.1	34.2	43.8	53.9	63.3	69.1	78.4	87.6	96.8	115.0	1.17
150	14.3	17.1	20.5	25.9	31.6	37.2	47.6	58.6	68.8	75.2	85.3	95.3	105.3	125.2	1.16
175	15.3	18.3	22.0	27.8	33.9	40.0	51.2	63.0	74.0	80.9	91.7	102.6	113.3	134.7	1.15
200	16.3	19.5	23.4	29.7	36.2	42.6	54.6	67.2	78.9	86.2	97.8	109.4	120.8	143.7	1.14
250	18.2	21.8	26.2	33.1	40.4	47.6	61.1	75.2	88.3	96.5	109.5	122.4	135.3	160.8	1.13
300	20.0	23.9	28.8	36.4	44.4	52.4	67.1	82.7	97.1	106.1	120.5	134.7	148.9	177.1	1.12
400	23.4	27.9	33.6	42.5	51.9	61.2	78.6	96.8	113.8	124.3	141.1	157.8	174.5	207.6	1.11
500	26.5	31.7	38.2	48.4	59.1	69.7	89.4	110.2	129.5	141.6	160.8	179.8	198.8	236.6	1.10
600	29.6	35.4	42.6	54.0	66.0	77.8	100.0	123.2	144.9	158.4	179.8	201.2	223.5	264.8	1.09

Condensation loads are in pounds per hour per 100 feet of insulated steam main with ambient temperature of 70°F and an insulation efficiency of 80%.

Chart loads represent losses due to radiation and convection for saturated steam.

*For ambient temperature of 0°F, multiply load value by the correction factor corresponding to the steam pressure.

CONVERSION TABLES

LIQUID WEIGHTS and MEASURES		
To Convert	To	Multiply By
Gallons	Liters	3.7853
Gallons	Cu. Inches	231
Gallons	Cu. Feet	0.1337
Gallons	Cu. Meters	0.00379
Gallons	Lbs. of Water	8.339
Liters	Gallons	0.26418
Liters	Cu. Inches	61.025
Liters	Cu. Feet	0.0353
Liters	Cu. Meters	0.001
Liters	Lbs. of Water	2.202
Cu. Inches	Gallons	0.00433
Cu. Inches	Liters	0.01639
Cu. Inches	Cu. Feet	0.00058
Cu. Inches	Cu. Meters	0.000016
Cu. Inches	Lbs. of Water	0.0362
Cu. Feet	Gallons	7.48052
Cu. Feet	Liters	28.316
Cu. Feet	Cu. Inches	1728
Cu. Feet	Cu. Meters	0.0283
Cu. Feet	Lbs. of Water	62.371
Cu. Meters	Gallons	264.17
Cu. Meters	Liters	999.972
Cu. Meters	Cu. Inches	61023.74
Cu. Meters	Cu. Feet	35.3145
Cu. Meters	Lbs. of Water	2202.61
Lbs. of Water	Gallons	0.11992
Lbs. of Water	Liters	0.45419
Lbs. of Water	Cu. Inches	27.643
Lbs. of Water	Cu. Feet	0.01603
Lbs. of Water	Cu. Meters	0.000454
LINEAL MEASURES		
Inches	mm	25.4
Inches	cm	2.54
Inches	Meters	0.0254
Feet	cm	30.48
Feet	Meters	0.3048
mm	Inches	0.03937
mm	Feet	0.00328
cm	Inches	0.3937
cm	Feet	0.03281
Meters	Feet	3.28
AREA		
Sq. Inches	Sq. Feet	0.006944
Sq. Inches	Sq. cm	6.4516
Sq. Feet	Sq. Inches	144
Sq. Feet	Sq. cm	929.03
Sq. Feet	Sq. Meters	0.0929
Sq. cm	Sq. Inches	0.155
Sq. cm	Sq. Feet	0.00108
Sq. cm	Sq. Meters	0.0001
Sq. Meter	Sq. Inches	1550
Sq. Meter	Sq. Feet	10.76

CONVERSIONS of PRESSURE AND HEAD					
To Convert	To	Multiply By	To Convert	To	Multiply By
Lbs. per Sq. In.	Lbs. per Sq. Ft.	144	Ins. of Mercury	Lbs. per Sq. In.	0.491154
Lbs. per Sq. In.	Atmospheres	0.06805	Ins. of Mercury	Lbs. per Sq. Ft.	70.7262
Lbs. per Sq. In.	Ins. of Water	27.728	Ins. of Mercury	Atmospheres	0.033421
Lbs. per Sq. In.	Ft. of Water	2.3106	Ins. of Mercury	Ins. of Water	13.6185
Lbs. per Sq. In.	Ins. of Mercury	2.03602	Ins. of Mercury	Ft. of Water	1.1349
Lbs. per Sq. In.	mm of Mercury	51.715	Ins. of Mercury	mm of Mercury	25.40005
Lbs. per Sq. In.	Bar	0.06895	Ins. of Mercury	Bar	0.033864
Lbs. per Sq. In.	kg per Sq. cm	0.070307	Ins. of Mercury	kg per Sq. cm	0.03453
Lbs. per Sq. In.	kg per Sq. M	703.070	Ins. of Mercury	kg per Sq. M	345.316
Lbs. per Sq. Ft.	Lbs. per Sq. In.	0.0069445	mm of Mercury	Lbs. per Sq. In.	0.019337
Lbs. per Sq. Ft.	Atmospheres	0.000473	mm of Mercury	Lbs. per Sq. Ft.	2.7845
Lbs. per Sq. Ft.	Ins. of Water	0.1926	mm of Mercury	Atmospheres	0.001316
Lbs. per Sq. Ft.	Ft. of Water	0.01605	mm of Mercury	Ins. of Water	0.53616
Lbs. per Sq. Ft.	Ins. of Mercury	0.014139	mm of Mercury	Ft. of Water	0.04468
Lbs. per Sq. Ft.	mm of Mercury	0.35913	mm of Mercury	Ins. of Mercury	0.03937
Lbs. per Sq. Ft.	Bar	0.000479	mm of Mercury	Bar	0.00133
Lbs. per Sq. Ft.	kg per Sq. cm	0.000488	mm of Mercury	kg per Sq. cm	0.00136
Lbs. per Sq. Ft.	kg per Sq. M	4.88241	mm of Mercury	kg per Sq. M	13.59509
Atmospheres	Lbs. per Sq. In.	14.696	kg per Sq. cm	Lbs. per Sq. In.	14.2233
Atmospheres	Lbs. per Sq. Ft.	2116.22	kg per Sq. cm	Lbs. per Sq. Ft.	2048.155
Atmospheres	Ins. of Water	407.484	kg per Sq. cm	Atmospheres	0.96784
Atmospheres	Ft. of Water	33.957	kg per Sq. cm	Ins. of Water	394.38
Atmospheres	Ins. of Mercury	29.921	kg per Sq. cm	Ft. of Water	32.865
Atmospheres	mm of Mercury	760	kg per Sq. cm	Ins. of Mercury	28.959
Atmospheres	Bar	1.01325	kg per Sq. cm	mm of Mercury	735.559
Atmospheres	kg per Sq. cm	1.0332	kg per Sq. cm	Bar	0.98067
Atmospheres	kg per Sq. M	10332.27	kg per Sq. cm	kg per Sq. M	10000
Ins. of Water	Lbs. per Sq. In.	0.03609			
Ins. of Water	Lbs. per Sq. Ft.	5.1972			
Ins. of Water	Atmospheres	0.002454			
Ins. of Water	Ft. of Water	0.08333			
Ins. of Water	Ins. of Mercury	0.07343			
Ins. of Water	mm of Mercury	1.8651			
Ins. of Water	Bar	0.00249			
Ins. of Water	kg per Sq. cm	0.00253			
Ins. of Water	kg per Sq. M	25.375			
Ft. of Water	Lbs. per Sq. In.	0.432781			
Ft. of Water	Lbs. per Sq. Ft.	63.3205			
Ft. of Water	Atmospheres	0.029449			
Ft. of Water	Ins. of Water	12			
Ft. of Water	Ins. of Mercury	0.88115			
Ft. of Water	mm of Mercury	22.3813			
Ft. of Water	Bar	0.029839			
Ft. of Water	kg per Sq. cm	0.03043			
Ft. of Water	kg per Sq. M	304.275			

Note: All weights and measures of water are based on temperature of 60°F.

Note: Temperature of Water and Mercury is 68°F and 32°F respectively.

TEMPERATURE

To convert Fahrenheit to Celsius: $\frac{^{\circ}\text{F} - 32}{1.8}$

To convert Celsius to Fahrenheit: $(1.8 \times ^{\circ}\text{C}) + 32$

VELOCITY

1 Ft. per Sec. = 0.3048 M Per Sec.

1 M per Sec. = 3.2808 Ft. per Sec.

PIPE DATA TABLES

Pipe Size (in.)	Outside Diameter (in.)	Weight Class	Carbon Steel Sched.	Stainless Steel Sched.	Wall Thickness (in.)	Inside Diameter (in.)	Circum. (Ext.) (in.)	Circum. (Int.) (in.)	Flow Area (sq. in.)	Weight of Pipe (lbs/Ft.)	Weight of Water (lbs/Ft.)	Gallons of Water per Ft.	Section Modulus	Pipe Size (in.)
1/8	.405	—	—	10S	.049	.307	1.27	.96	.074	.19	.032	.004	.00437	1/8
		STD	40	40S	.068	.269		.85	.057	.24	.025	.003	.00523	
		XS	80	80S	.095	.215		.68	.036	.31	.016	.002	.00602	
1/4	.540	—	—	10S	.065	.410	1.70	1.29	.132	.33	.057	.007	.01032	1/4
		STD	40	40S	.088	.364		1.14	.104	.42	.045	.005	.01227	
		XS	80	80S	.119	.302		.95	.072	.54	.031	.004	.01395	
3/8	.675	—	—	10S	.065	.545	2.12	1.71	.233	.42	.101	.012	.01736	3/8
		STD	40	40S	.091	.493		1.55	.191	.57	.083	.010	.0216	
		XS	80	80S	.126	.423		1.33	.141	.74	.061	.007	.0255	
1/2	.840	—	—	5S	.065	.710	2.64	2.23	.396	.54	.172	.021	.0285	1/2
		—	—	10S	.083	.674		2.12	.357	.67	.155	.019	.0341	
		STD	40	40S	.109	.622		1.95	.304	.85	.132	.016	.0407	
		XS	80	80S	.147	.546		1.72	.234	1.09	.102	.012	.0478	
		—	160	—	.187	.466		1.46	.171	1.31	.074	.009	.0527	
3/4	1.050	—	—	5S	.065	.920	3.30	2.89	.665	.69	.288	.035	.0467	3/4
		—	—	10S	.083	.884		2.78	.614	.86	.266	.032	.0566	
		STD	40	40S	.113	.824		2.59	.533	1.13	.231	.028	.0706	
		XS	80	80S	.154	.742		2.33	.433	1.47	.188	.022	.0853	
		—	160	—	.219	.612		1.92	.296	1.94	.128	.015	.1004	
1	1.315	—	—	5S	.065	1.185	4.13	3.72	1.103	.87	.478	.057	.0760	1
		—	—	10S	.109	1.097		3.45	.945	1.40	.409	.049	.1151	
		STD	40	40S	.133	1.049		3.30	.864	1.68	.375	.045	.1328	
		XS	80	80S	.179	.957		3.01	.719	2.17	.312	.037	.1606	
		—	160	—	.250	.815		2.56	.522	2.84	.230	.027	.1903	
1 1/4	1.660	—	—	5S	.065	1.530	5.22	4.81	1.839	1.11	.797	.096	.1250	1 1/4
		—	—	10S	.109	1.442		4.53	1.633	1.81	.708	.085	.1934	
		STD	40	40S	.140	1.380		4.34	1.495	2.27	.649	.078	.2346	
		XS	80	80S	.191	1.278		4.02	1.283	3.00	.555	.067	.2913	
		—	160	—	.250	1.160		3.64	1.057	3.76	.458	.055	.3421	
1 1/2	1.900	—	—	5S	.065	1.770	5.97	5.56	2.461	1.28	1.066	.128	.1662	1 1/2
		—	—	10S	.109	1.682		5.28	2.222	2.09	.963	.115	.2598	
		STD	40	40S	.145	1.610		5.06	2.036	2.72	.882	.106	.3262	
		XS	80	80S	.200	1.500		4.71	1.767	3.63	.765	.092	.4118	
		—	160	—	.281	1.338		4.20	1.406	4.86	.608	.073	.5078	
2	2.375	—	—	5S	.065	2.245	7.46	7.05	3.958	1.61	1.72	.206	.2652	2
		—	—	10S	.109	2.157		6.78	3.654	2.64	1.58	.190	.4204	
		STD	40	40S	.154	2.067		6.49	3.355	3.65	1.45	.174	.5606	
		XS	80	80S	.218	1.939		6.09	2.953	5.02	1.28	.153	.7309	
		—	160	—	.344	1.687		5.30	2.241	7.46	.97	.116	.9790	
2 1/2	2.875	—	—	5S	.083	2.709	9.03	8.51	5.764	2.48	2.50	.299	.4939	2 1/2
		—	—	10S	.120	2.635		8.28	5.453	3.53	2.36	.283	.6868	
		STD	40	40S	.203	2.469		7.76	4.788	5.79	2.07	.249	1.064	
		XS	80	80S	.276	2.323		7.30	4.238	7.66	1.87	.220	1.339	
		—	160	—	.375	2.125		6.68	3.546	10.01	1.54	.184	1.638	
XXS	—	—	.552	1.771	5.56	2.464	13.69	1.07	.128	1.997				

PIPE DATA TABLES CONT'D.

Pipe Size (in.)	Outside Diameter (in.)	Weight Class	Carbon Steel Sched.	Stainless Steel Sched.	Wall Thickness (in.)	Inside Diameter (in.)	Circum. (Ext.) (in.)	Circum. (Int.) (in.)	Flow Area (sq. in.)	Weight of Pipe (lbs/Ft.)	Weight of Water (lbs/Ft.)	Gallons of Water per Ft.	Section Modulus	Pipe Size (in.)
3	3.500	—	—	5S	.083	3.334	11.00	10.47	8.730	3.03	3.78	.454	.744	3
		—	—	10S	.120	3.260		10.24	8.347	4.33	3.62	.434	1.041	
		STD	40	40S	.216	3.068		9.64	7.393	7.58	3.20	.384	1.724	
		XS	80	80S	.300	2.900		9.11	6.605	10.25	2.86	.343	2.225	
		—	160	—	.438	2.624		8.24	5.408	14.32	2.35	.281	2.876	
		XXS	—	—	.600	2.300		7.23	4.155	18.58	1.80	.216	3.424	
4	4.500	—	—	5S	.083	4.334	14.14	13.62	14.75	3.92	6.39	.766	1.249	4
		—	—	10S	.120	4.260		13.38	14.25	5.61	6.18	.740	1.761	
		STD	40	40S	.237	4.026		12.65	12.73	10.79	5.50	.661	3.214	
		XS	80	80S	.337	3.826		12.02	11.50	14.98	4.98	.597	4.271	
		—	120	—	.438	3.624		11.39	10.31	19.00	4.47	.536	5.178	
		XXS	—	—	.531	3.438		10.80	9.28	22.51	4.02	.482	5.898	
5	5.563	—	—	5S	.109	5.345	17.48	16.79	22.44	6.36	9.72	1.17	2.498	5
		—	—	10S	.134	5.295		16.63	22.02	7.77	9.54	1.14	3.029	
		STD	40	40S	.258	5.047		15.86	20.01	14.62	8.67	1.04	5.451	
		XS	80	80S	.375	4.813		15.12	18.19	20.78	7.88	.945	7.431	
		—	120	—	.500	4.563		14.34	16.35	27.04	7.09	.849	9.250	
		XXS	—	—	.625	4.313		13.55	14.61	32.96	6.33	.759	10.796	
6	6.625	—	—	5S	.109	6.407	20.81	20.13	32.24	7.60	13.97	1.68	3.576	6
		—	—	10S	.134	6.357		19.97	31.74	9.29	13.75	1.65	4.346	
		STD	40	40S	.280	6.065		19.05	28.89	18.97	12.51	1.50	8.496	
		XS	80	80S	.432	5.761		18.10	26.07	28.57	11.29	1.35	12.22	
		—	120	—	.562	5.501		17.28	23.77	36.39	10.30	1.24	14.98	
		XXS	—	—	.719	5.187		16.30	21.15	45.35	9.16	1.10	17.81	
8	8.625	—	—	5S	.109	8.407	27.10	26.41	55.51	9.93	24.06	2.88	6.131	8
		—	—	10S	.148	8.329		26.17	54.48	13.40	23.61	2.83	8.212	
		—	20	—	.250	8.125		25.53	51.85	22.36	22.47	2.69	13.39	
		—	30	—	.277	8.071		25.36	51.16	24.70	22.17	2.66	14.69	
		STD	40	40S	.322	7.981		25.07	50.03	28.55	21.70	2.60	16.81	
		—	60	—	.406	7.813		24.55	47.94	35.64	20.77	2.49	20.58	
		XS	80	80S	.500	7.625		23.95	45.66	43.39	19.78	2.37	24.51	
		—	100	—	.594	7.437		23.36	43.46	50.95	18.83	2.26	28.14	
		—	120	—	.719	7.187		22.58	40.59	60.71	17.59	2.11	32.58	
		—	140	—	.812	7.001		21.99	38.50	67.76	16.68	2.00	35.65	
		XXS	—	—	.875	6.875		21.60	37.12	72.42	16.10	1.93	37.56	
		—	160	—	.906	6.813		21.40	36.46	74.69	15.80	1.89	38.48	
10	10.750	—	—	5S	.134	10.482	33.77	32.93	86.29	15.19	37.39	4.48	11.71	10
		—	—	10S	.165	10.420		32.74	85.28	18.65	36.95	4.43	14.30	
		—	20	—	.250	10.250		32.20	82.52	28.04	35.76	4.29	21.15	
		—	30	—	.307	10.136		31.84	80.69	34.24	34.96	4.19	25.57	
		STD	40	40S	.365	10.020		31.48	78.86	40.48	34.20	4.10	29.90	
		XS	60	80S	.500	9.750		30.63	74.66	54.74	32.35	3.88	39.43	
		—	80	—	.594	9.562		30.04	71.84	64.43	31.13	3.73	45.54	
		—	100	—	.719	9.312		29.25	68.13	77.03	29.53	3.54	53.22	
		—	120	—	.844	9.062		28.47	64.53	89.29	27.96	3.35	60.32	
		XXS	140	—	1.000	8.750		27.49	60.13	104.13	26.06	3.12	68.43	
		—	160	—	1.125	8.500		26.70	56.75	115.64	24.59	2.95	74.29	

PIPE DATA TABLES CONT'D.

Pipe Size (in.)	Outside Diameter (in.)	Weight Class	Carbon Steel Sched.	Stainless Steel Sched.	Wall Thickness (in.)	Inside Diameter (in.)	Circum. (Ext.) (in.)	Circum. (Int.) (in.)	Flow Area (sq. in.)	Weight of Pipe (lbs/Ft.)	Weight of Water (lbs/Ft.)	Gallons of Water per Ft.	Section Modulus	Pipe Size (in.)			
12	12.750	—	—	5S	.156	12.438	40.06	39.08	121.50	20.98	52.65	6.31	19.2	12			
		—	—	10S	.180	12.390		38.92	120.57	24.17	52.25	6.26	22.0				
		—	—	20	—	.250		12.250	38.48	117.86	33.38	51.07	6.12		30.2		
		—	—	30	—	.330		12.090	37.98	114.80	43.77	49.74	5.96		39.0		
		—	—	STD	—	40S		.375	12.000	37.70	113.10	49.56	49.00		5.88	43.8	
		—	—	—	—	40		—	.406	11.938	37.50	111.93	53.52		48.50	5.81	47.1
		—	—	XS	—	80S		.500	11.750	36.91	108.43	65.42	46.92		5.63	56.7	
		—	—	—	—	60		—	.562	11.626	36.52	106.16	73.15		46.00	5.51	62.8
		—	—	—	—	80		—	.688	11.374	35.73	101.64	88.63		44.04	5.28	74.6
		—	—	—	—	100		—	.844	11.062	34.75	96.14	107.32		41.66	4.99	88.1
		—	—	XXS	—	120		—	1.000	10.750	33.77	90.76	125.49		39.33	4.71	100.7
		—	—	—	—	140		—	1.125	10.500	32.99	86.59	139.67		37.52	4.50	109.9
—	—	—	—	160	—	1.312	10.126	31.81	80.53	160.27	34.89	4.18	122.6				
14	14.000	—	—	5S	.156	13.688	43.98	43.00	147.15	23.07	63.77	7.64	23.2	14			
		—	—	10S	.188	13.624		42.80	145.78	27.73	63.17	7.57	27.8				
		—	—	10	—	.250		13.500	42.41	143.14	36.71	62.03	7.44		36.6		
		—	—	20	—	.312		13.376	42.02	140.52	45.61	60.89	7.30		45.0		
		—	—	STD	—	30		—	.375	13.250	41.63	137.88	54.57		59.75	7.16	53.2
		—	—	—	—	40		—	.438	13.124	41.23	135.28	63.44		58.64	7.03	61.3
		—	—	XS	—	—		.500	13.000	40.84	132.73	72.09	57.46		6.90	69.1	
		—	—	—	—	60		—	.594	12.812	40.25	128.96	85.05		55.86	6.70	80.3
		—	—	—	—	80		—	.750	12.500	39.27	122.72	106.13		53.18	6.37	98.2
		—	—	—	—	100		—	.938	12.124	38.09	115.49	130.85		50.04	6.00	117.8
		—	—	—	—	120		—	1.094	11.812	37.11	109.62	150.79		47.45	5.69	132.8
		—	—	—	—	140		—	1.250	11.500	36.13	103.87	170.28		45.01	5.40	146.8
—	—	—	—	160	—	1.406	11.188	35.15	98.31	189.11	42.60	5.11	159.6				
16	16.000	—	—	5S	.165	15.670	50.27	49.23	192.85	27.90	83.57	10.02	32.2	16			
		—	—	10S	.188	15.624		49.08	191.72	31.75	83.08	9.96	36.5				
		—	—	10	—	.250		15.500	48.69	188.69	42.05	81.74	9.80		48.0		
		—	—	20	—	.312		15.376	48.31	185.69	52.27	80.50	9.65		59.2		
		—	—	STD	—	30		—	.375	15.250	47.91	182.65	82.58		79.12	9.49	70.3
		—	—	XS	—	40		—	.500	15.000	47.12	176.72	82.77		76.58	9.18	91.5
		—	—	—	—	60		—	.656	14.688	46.14	169.44	107.50		73.42	8.80	116.6
		—	—	—	—	80		—	.844	14.312	44.96	160.92	136.61		69.73	8.36	144.5
		—	—	—	—	100		—	1.031	13.938	43.79	152.58	164.82		66.12	7.93	170.5
		—	—	—	—	120		—	1.219	13.562	42.61	144.50	192.43		62.62	7.50	194.5
		—	—	—	—	140		—	1.438	13.124	41.23	135.28	233.64		58.64	7.03	220.0
		—	—	—	—	160		—	1.594	12.812	40.26	128.96	245.25		55.83	6.70	236.7
18	18.000	—	—	5S	.165	17.67	56.55	55.51	245.22	31.43	106.26	12.74	40.8	18			
		—	—	10S	.188	17.62		55.37	243.95	35.76	105.71	12.67	46.4				
		—	—	10	—	.250		17.50	54.98	240.53	47.39	104.21	12.49		61.1		
		—	—	20	—	.312		17.38	54.59	237.13	58.94	102.77	12.32		75.5		
		—	—	STD	—	—		.375	17.25	54.19	233.71	70.59	101.18		12.14	89.6	
		—	—	—	—	30		—	.438	17.12	53.80	230.30	82.15		99.84	11.96	103.4
		—	—	XS	—	—		.500	17.00	53.41	226.98	93.45	98.27		11.79	117.0	
		—	—	—	—	40		—	.562	16.88	53.02	223.68	104.87		96.93	11.62	130.1
		—	—	—	—	60		—	.750	16.50	51.84	213.83	138.17		92.57	11.11	168.3
		—	—	—	—	80		—	.938	16.12	50.66	204.24	170.92		88.50	10.61	203.8
		—	—	—	—	100		—	1.156	15.69	49.29	193.30	207.96		83.76	10.04	242.3
		—	—	—	—	120		—	1.375	15.25	47.91	182.66	244.14		79.07	9.49	277.6
—	—	—	—	140	—	1.562	14.88	46.73	173.80	274.22	75.32	9.03	305.5				
—	—	—	—	160	—	1.781	14.44	45.36	163.72	308.50	70.88	8.50	335.6				

PIPE DATA TABLES CONT'D.

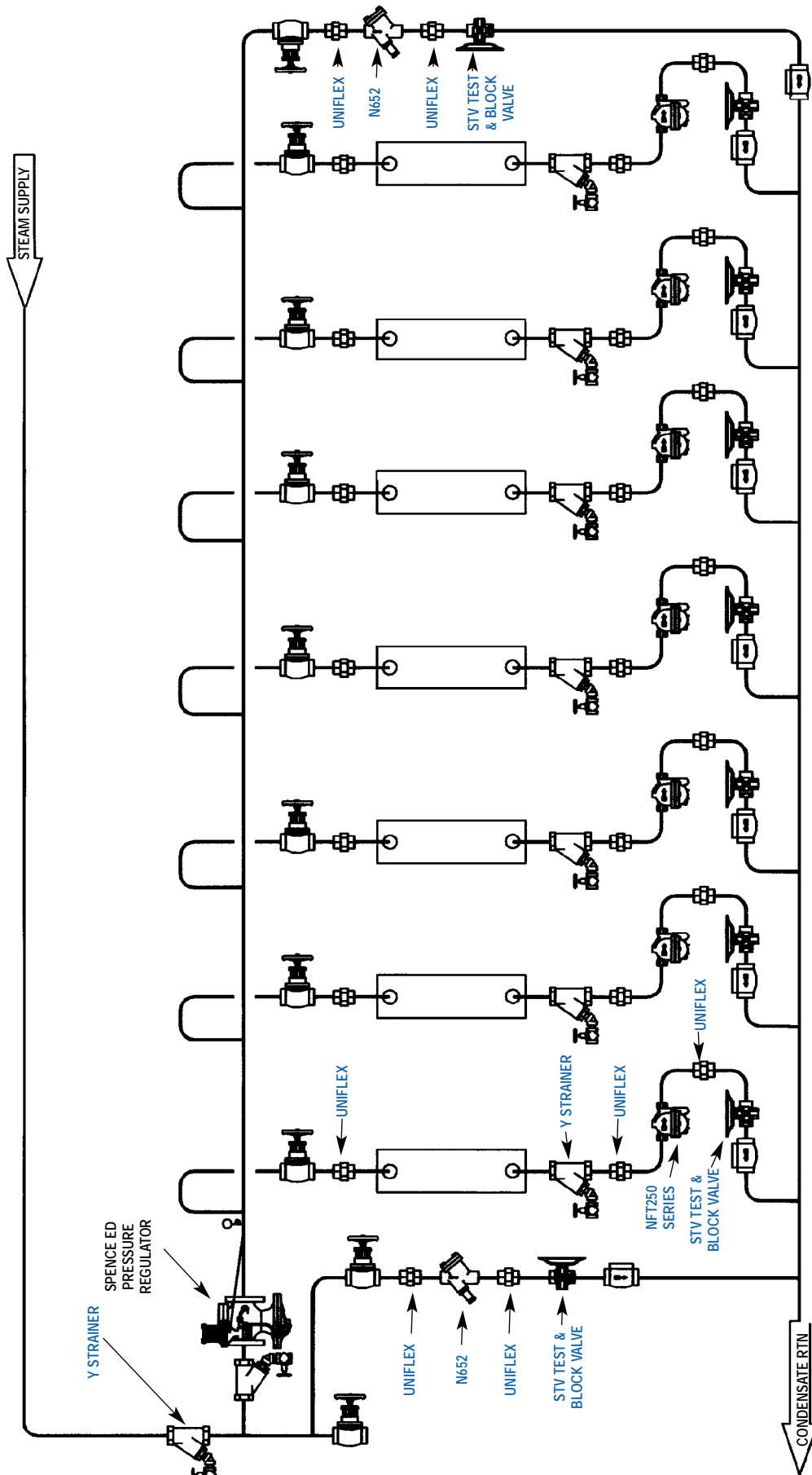
Pipe Size (in.)	Outside Diameter (in.)	Weight Class	Carbon Steel Sched.	Stainless Steel Sched.	Wall Thickness (in.)	Inside Diameter (in.)	Circum. (Ext.) (in.)	Circum. (Int.) (in.)	Flow Area (sq. in.)	Weight of Pipe (lbs/Ft.)	Weight of Water (lbs/Ft.)	Gallons of Water per Ft.	Section Modulus	Pipe Size (in.)	
20	20.00	STD	—	5S	.188	19.62	62.83	61.65	302.46	39.78	131.06	15.71	57.4	20	
			—	10S	.218	19.56		61.46	300.61	46.06	130.27	15.62	66.3		
			—	10	—	.250		19.50	61.26	298.65	52.73	129.42	15.51		75.6
			—	20	—	.375		19.25	60.48	290.04	78.60	125.67	15.12		111.3
			—	30	—	.500		19.00	59.69	283.53	104.13	122.87	14.73		145.7
			—	40	—	.594		18.81	59.10	278.00	123.11	120.46	14.44		170.4
			—	60	—	.812		18.38	57.73	265.21	166.40	114.92	13.78		225.7
			—	80	—	1.031		17.94	56.35	252.72	208.87	109.51	13.13		277.1
			—	100	—	1.281		17.44	54.78	238.83	256.10	103.39	12.41		331.5
			—	120	—	1.500		17.00	53.41	226.98	296.37	98.35	11.79		375.5
			—	140	—	1.750		16.50	51.84	213.82	341.09	92.66	11.11		421.7
			—	160	—	1.969		16.06	50.46	202.67	379.17	87.74	10.53		458.5
22	22.00	STD	—	5S	.188	21.62	69.12	67.93	367.25	43.80	159.14	19.08	69.7	22	
			—	10S	.218	21.56		67.75	365.21	50.71	158.26	18.97	80.4		
			—	10	—	.250		21.50	67.54	363.05	58.07	157.32	18.86		91.8
			—	20	—	.375		21.25	66.76	354.66	86.61	153.68	18.42		135.4
			—	30	—	.500		21.00	65.97	346.36	114.81	150.09	17.99		177.5
			—	60	—	.875		20.25	63.62	322.06	197.41	139.56	16.73		295.0
			—	80	—	1.125		19.75	62.05	306.35	250.81	132.76	15.91		366.4
			—	100	—	1.375		19.25	60.48	291.04	302.88	126.12	15.12		432.6
			—	120	—	1.625		18.75	58.90	276.12	353.61	119.65	14.34		493.8
			—	140	—	1.875		18.25	57.33	261.59	403.00	113.36	13.59		550.3
			—	160	—	2.125		17.75	55.76	247.45	451.06	107.23	12.85		602.4
			24	24.00	STD	—		5S	.218	23.56	75.40	74.03	436.10		55
—	10S	.250				23.50	73.83	433.74	63	187.95		22.53	109.6		
—	10	—				.375	23.25	73.04	424.56	95		183.95	22.05	161.9	
—	20	—				.500	23.00	72.26	415.48	125		179.87	21.58	212.5	
—	30	—				.562	22.88	71.86	411.00	141		178.09	21.35	237.0	
—	40	—				.688	22.62	71.08	402.07	171		174.23	20.88	285.1	
—	60	—				.969	22.06	69.31	382.35	238		165.52	19.86	387.7	
—	80	—				1.219	21.56	67.74	365.22	297		158.26	18.97	472.8	
—	100	—				1.531	20.94	65.78	344.32	367		149.06	17.89	570.8	
—	120	—				1.812	20.38	64.01	326.08	430		141.17	16.94	652.1	
—	140	—				2.062	19.88	62.44	310.28	483		134.45	16.12	718.9	
—	160	—				2.344	19.31	60.67	292.98	542		126.84	15.22	787.9	
30	30.00	STD	—	5S	.250	29.50	94.25	92.68	683.49	79	296.18	35.51	172.3	30	
			—	10S	.312	29.38		92.29	677.71	99	293.70	35.21	213.8		
			—	—	.375	29.25		91.89	671.96	119	291.18	34.91	255.3		
			—	20	—	.500		29.00	91.11	660.52	158	286.22	34.31		336.1
			—	30	—	.625		28.75	90.32	649.18	196	281.31	33.72		414.9

APPLICATION DRAWINGS

This section contains drawings of typical industrial applications. Nicholson products have been highlighted to help illustrate their use and emphasize appropriate configurations. Although specific model traps have been called out, please understand that these are not necessarily the only choice. A N450, N650, or possibly a N125 could replace a TA or a FTN, Dura-Flo, or industrial thermostatic trap could replace a NFT. These decisions must be based on customer preference, system pressure and design and competitive influences. The following points should also guide trap selection:

- Appropriate length of cooling leg when specifying thermostatic traps.
- Specify SLR option when condensate must be lifted before trap.
- Trap capacity reduction due to return line back pressure.
- Matching not only capacity requirements but also pressure when selecting orifices for mechanical traps
- Being aware of air venting needs.
- Consider upstream controls such as temperature regulators that may vary pressure.
- Thermostatic traps used as air vents should utilize ISO fill and $\frac{5}{16}$ " orifices.

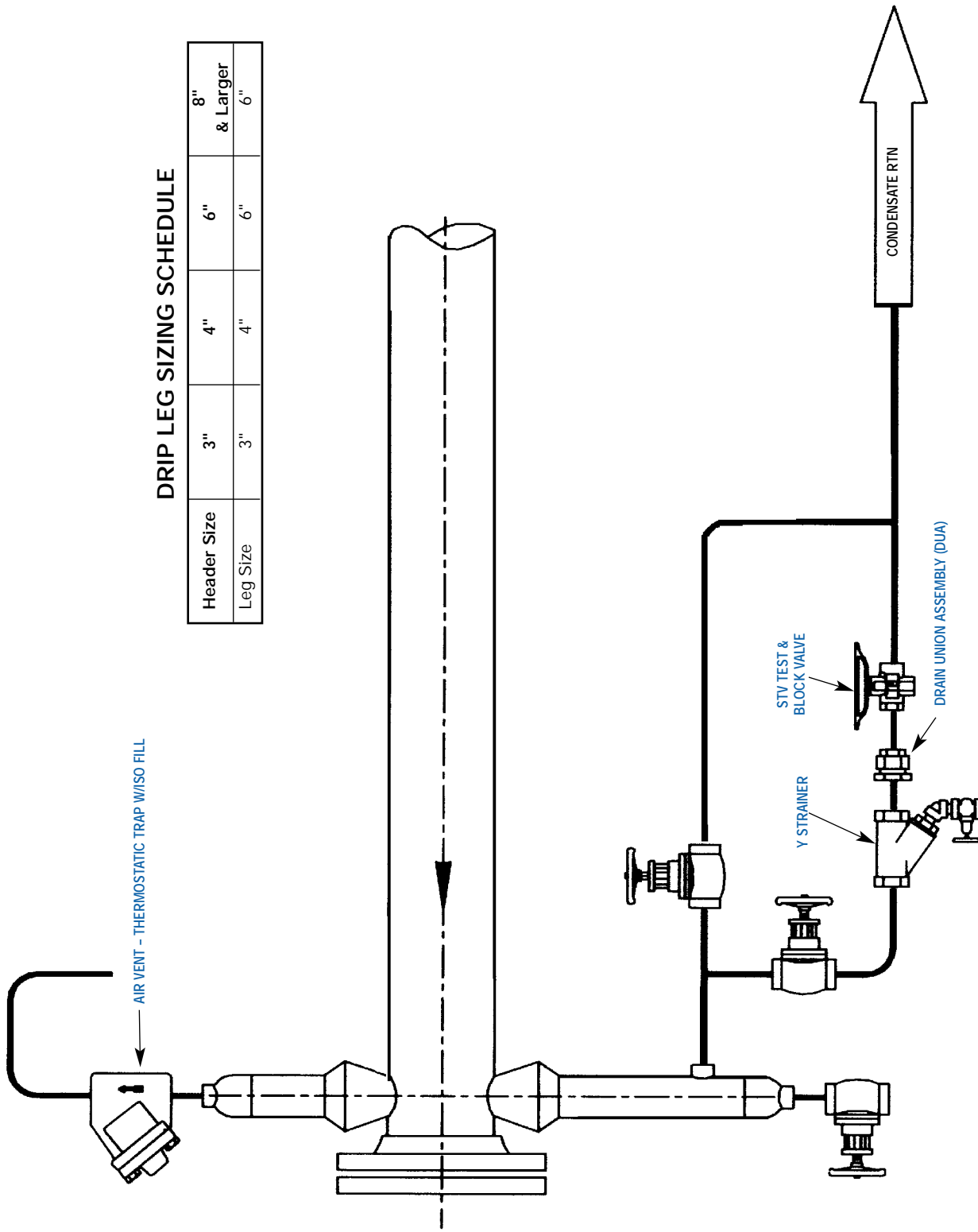
OVEN HEATING COILS



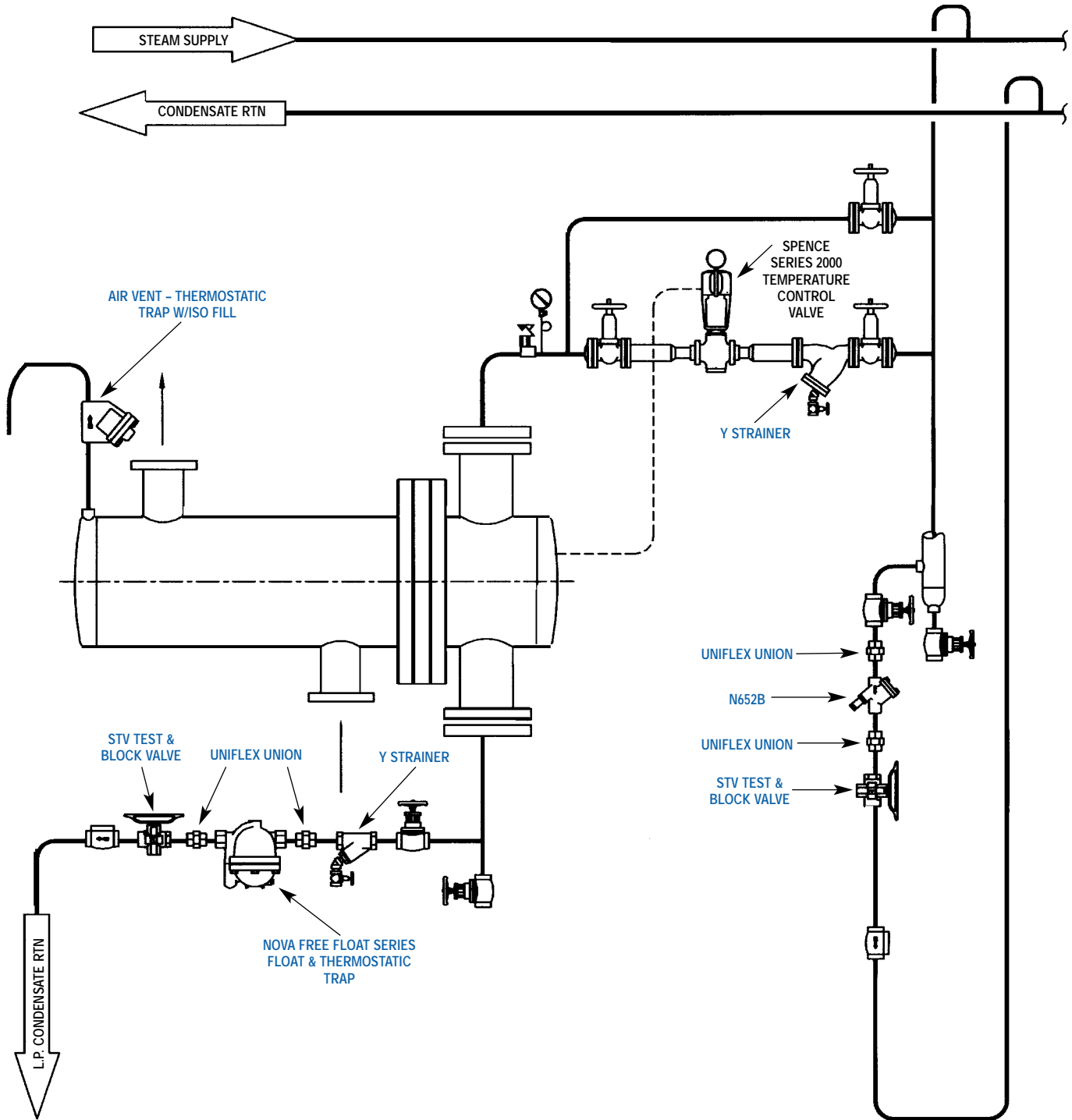
DRIP LEG/END OF MAIN LEG

DRIP LEG SIZING SCHEDULE

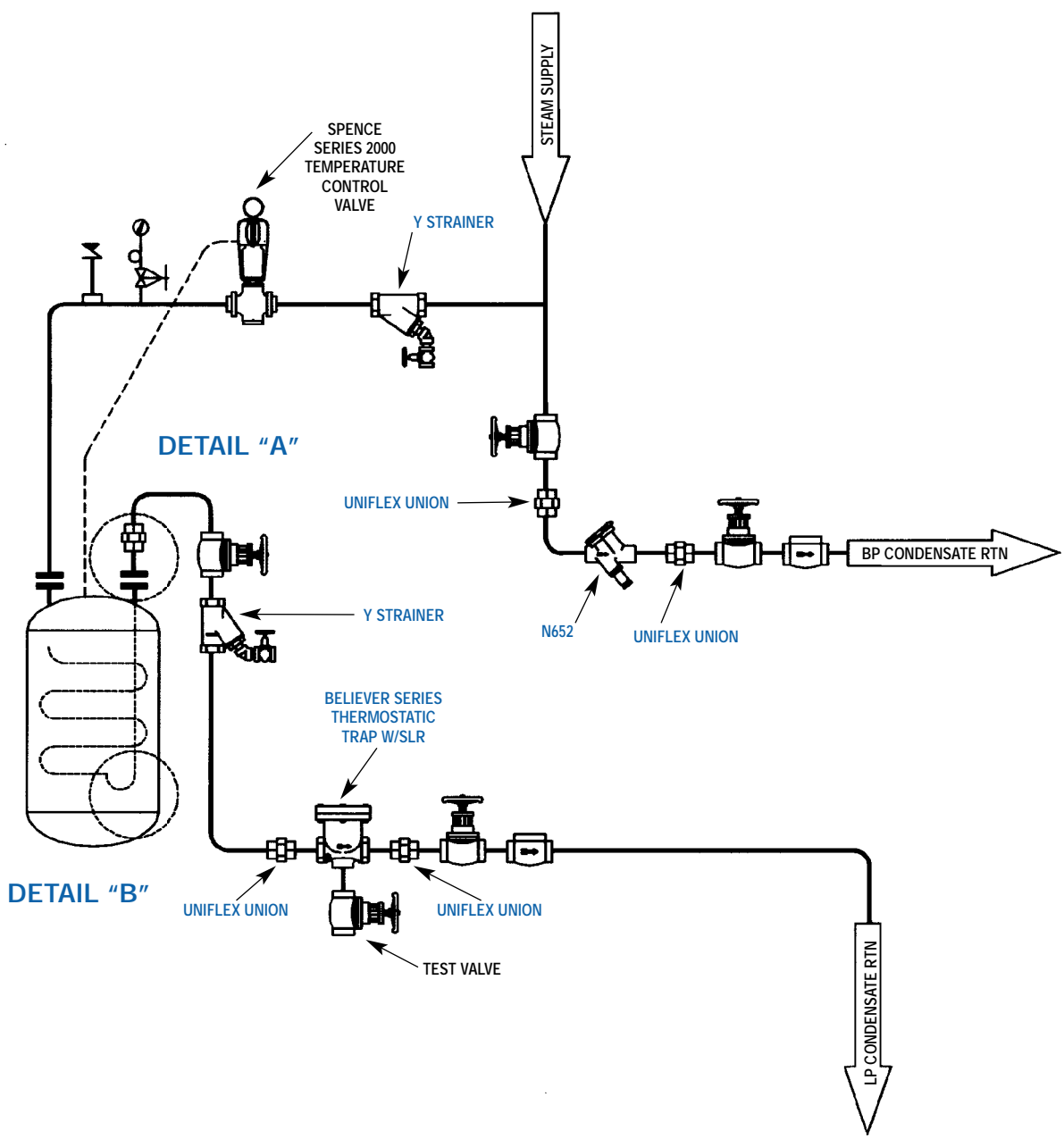
Header Size	3"	4"	6"	8" & Larger
Leg Size	3"	4"	6"	6"



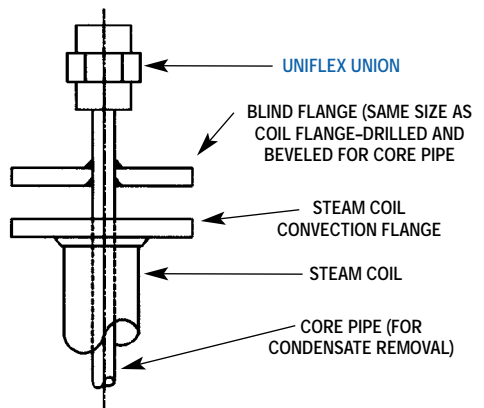
SHELL & TUBE HEAT EXCHANGER



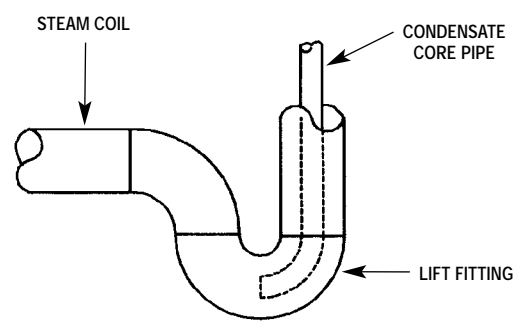
VESSEL WITH STEAM COIL OUTLET AT TOP



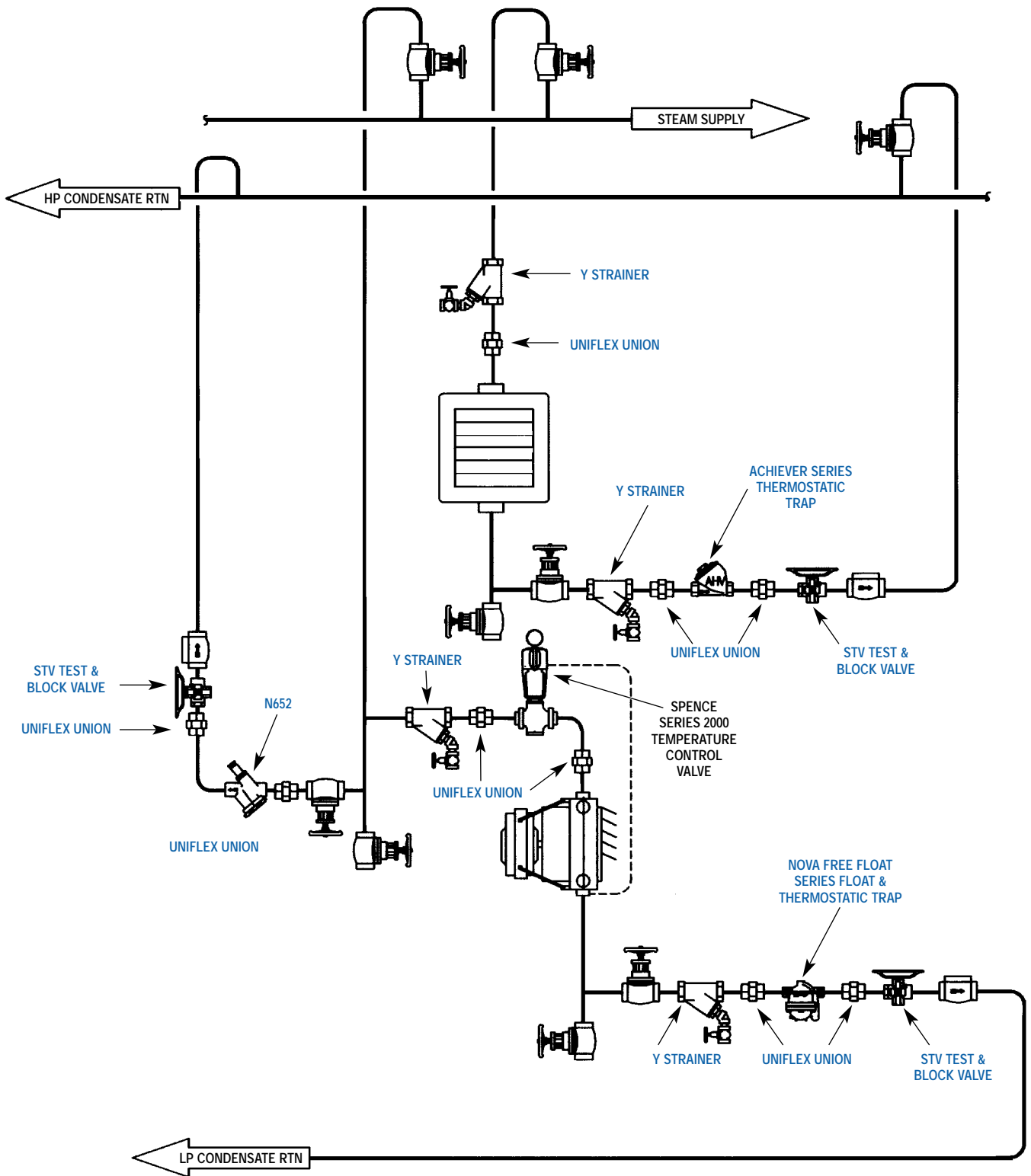
DETAIL "A"



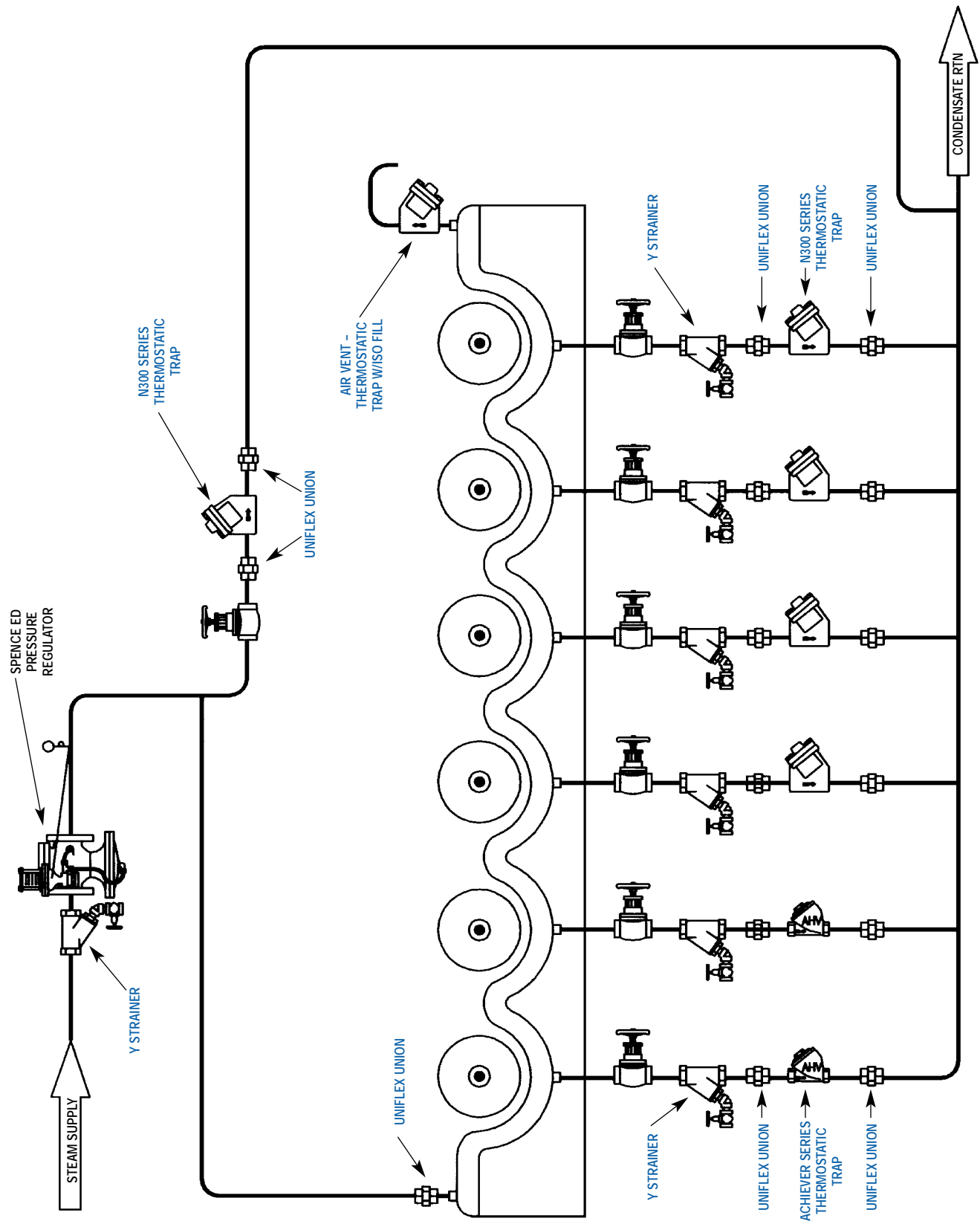
DETAIL "B"



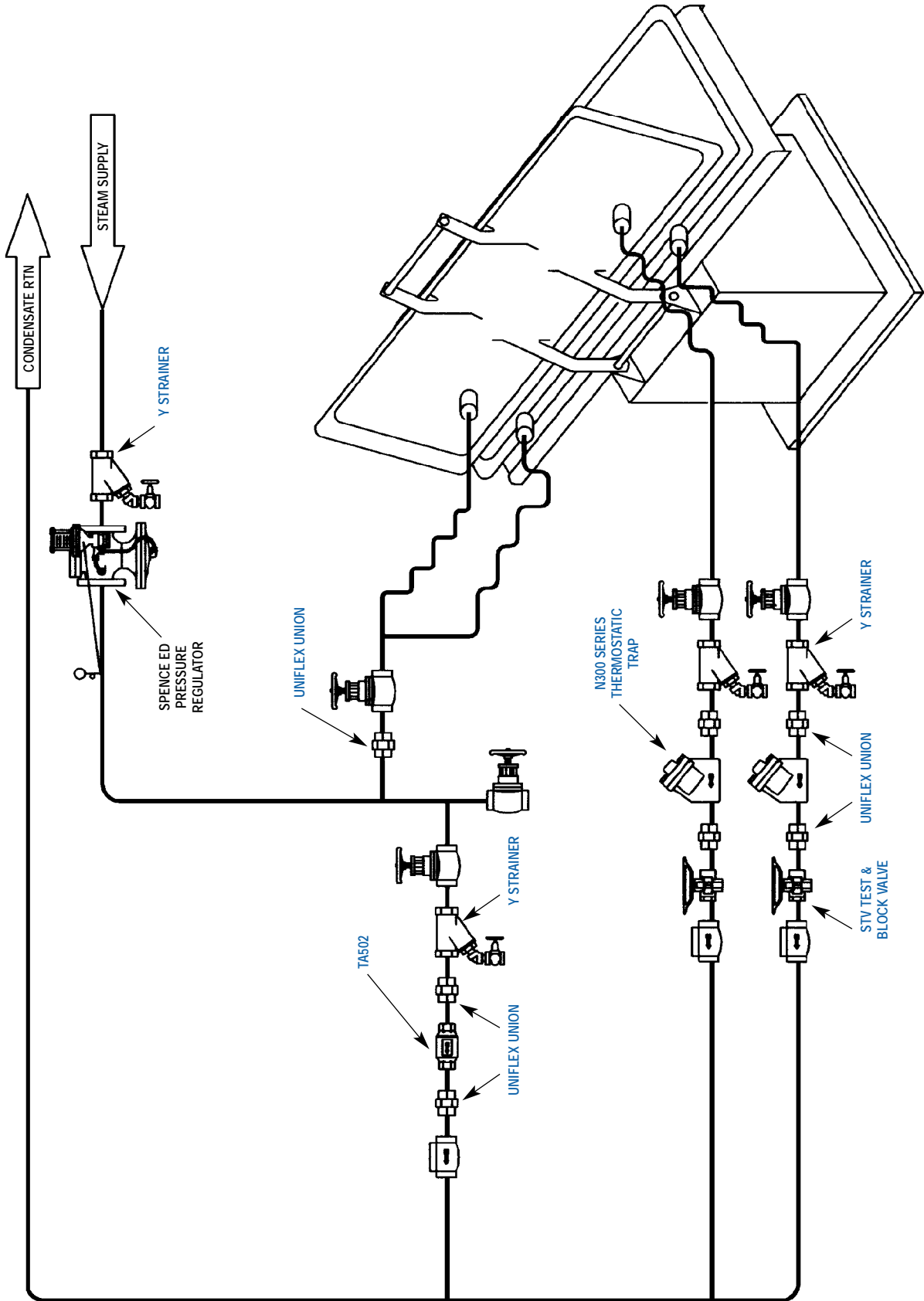
UNIT HEATER



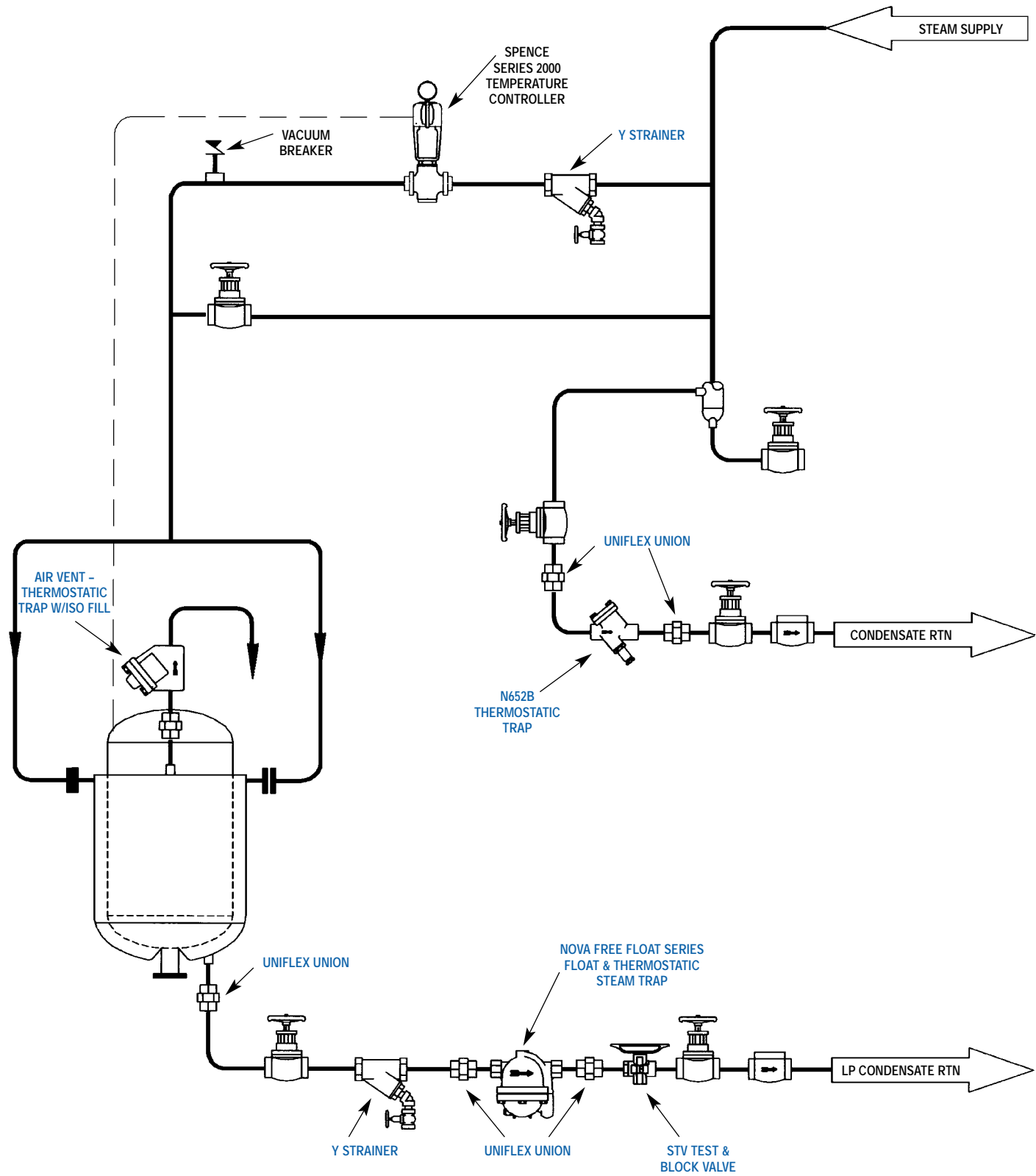
FLAT WORK IRONER



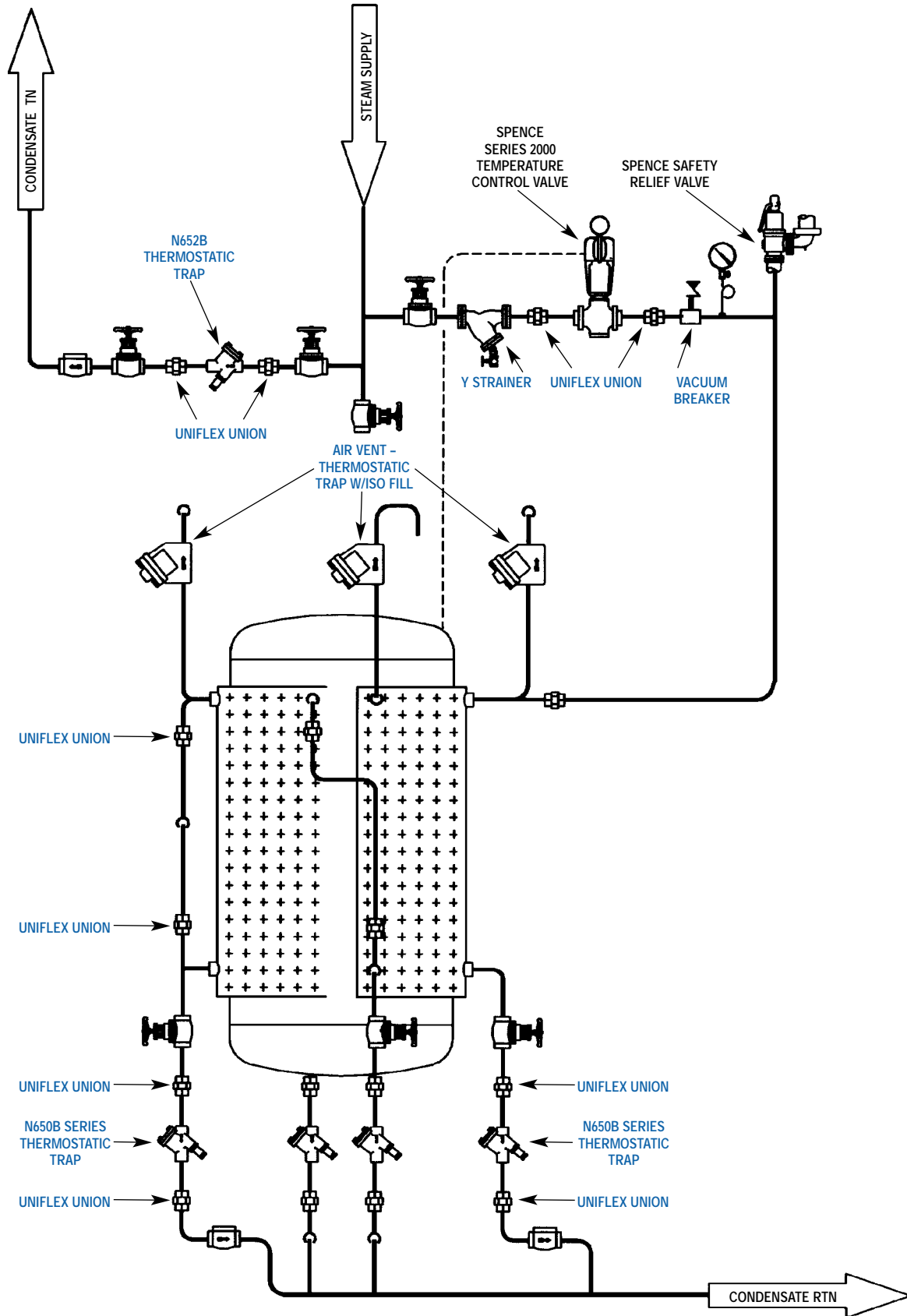
STEAM PRESS



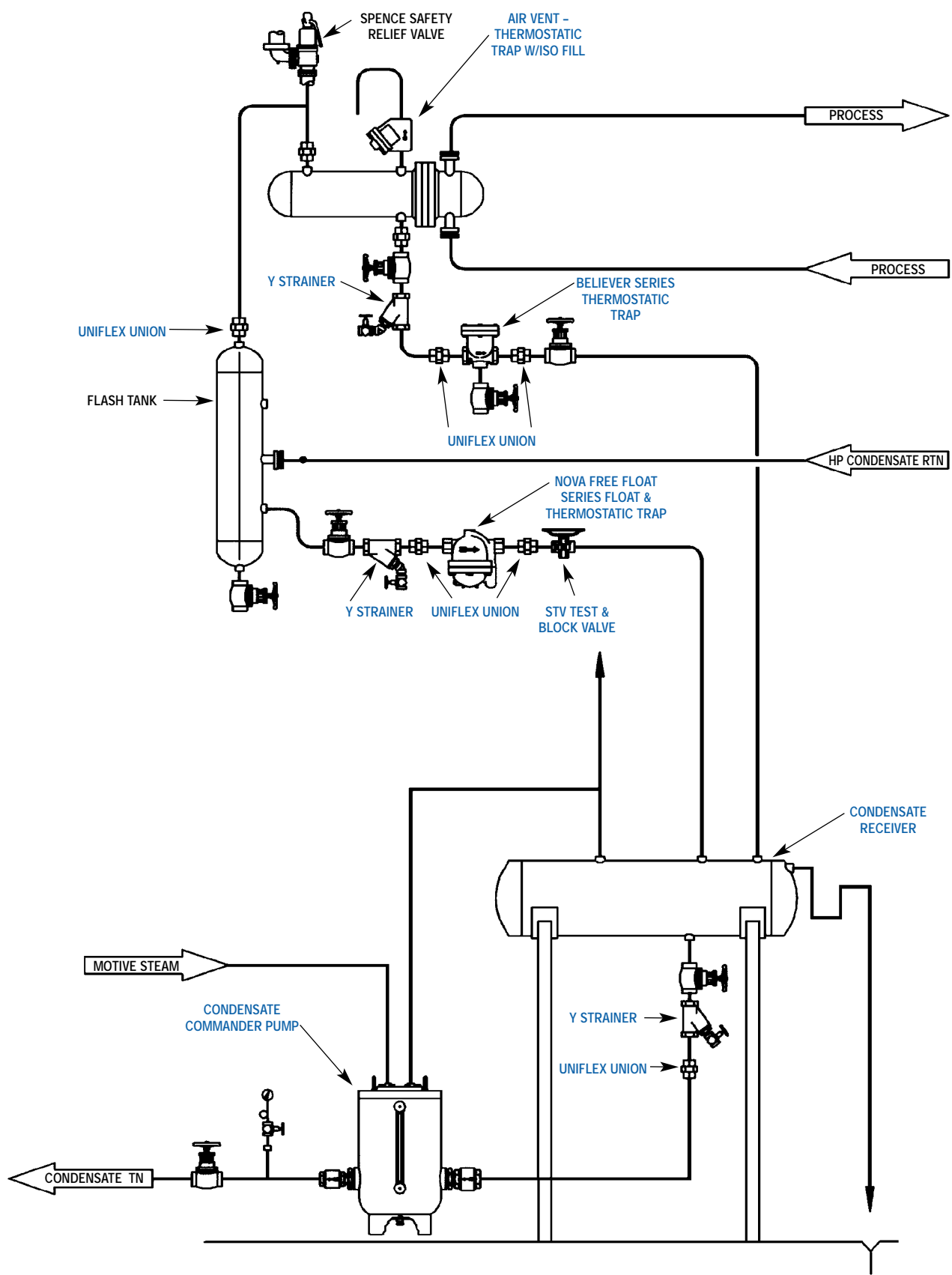
JACKETED PRESSURE VESSEL



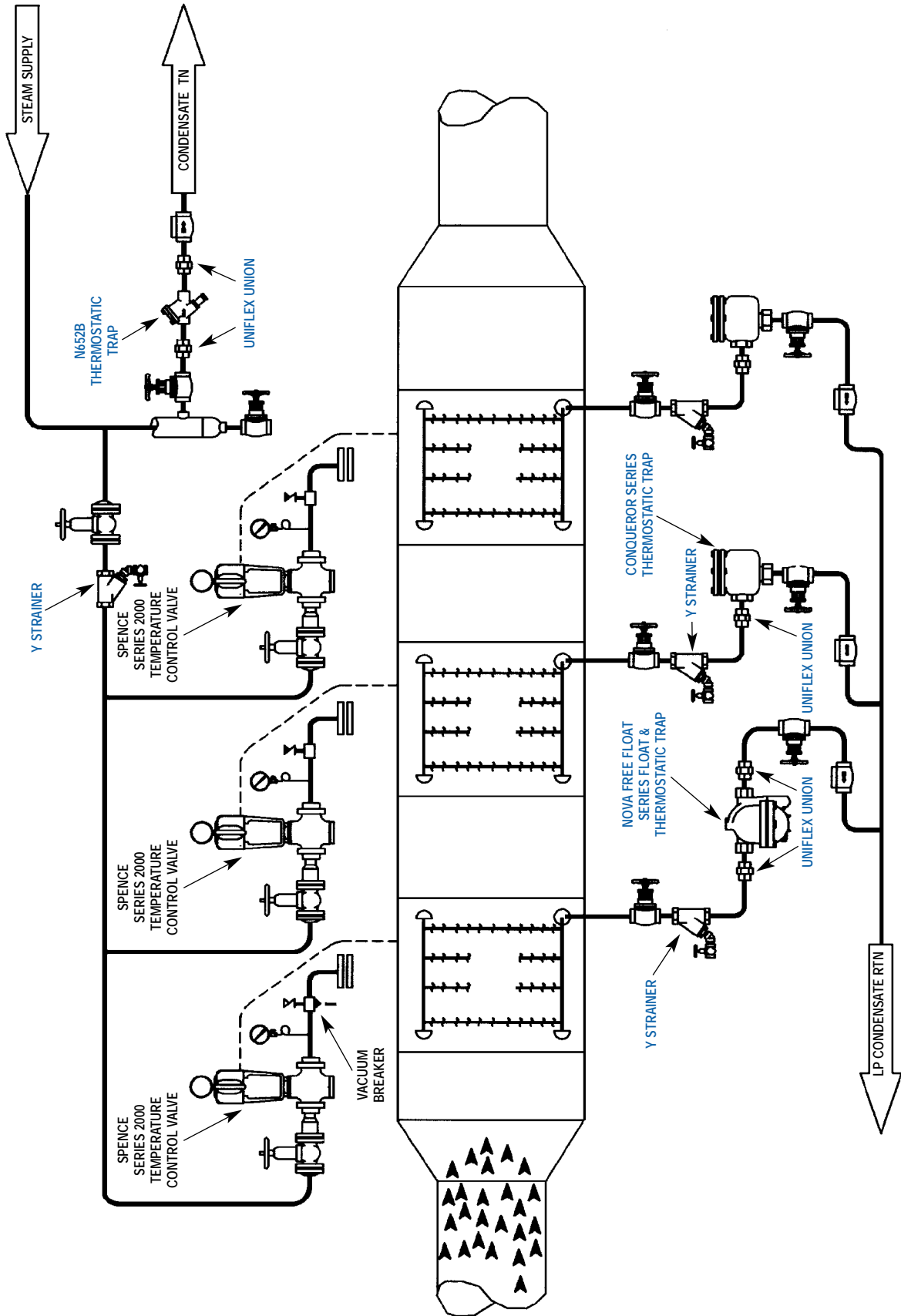
PRESSURE VESSEL WITH DIMPLE JACKET



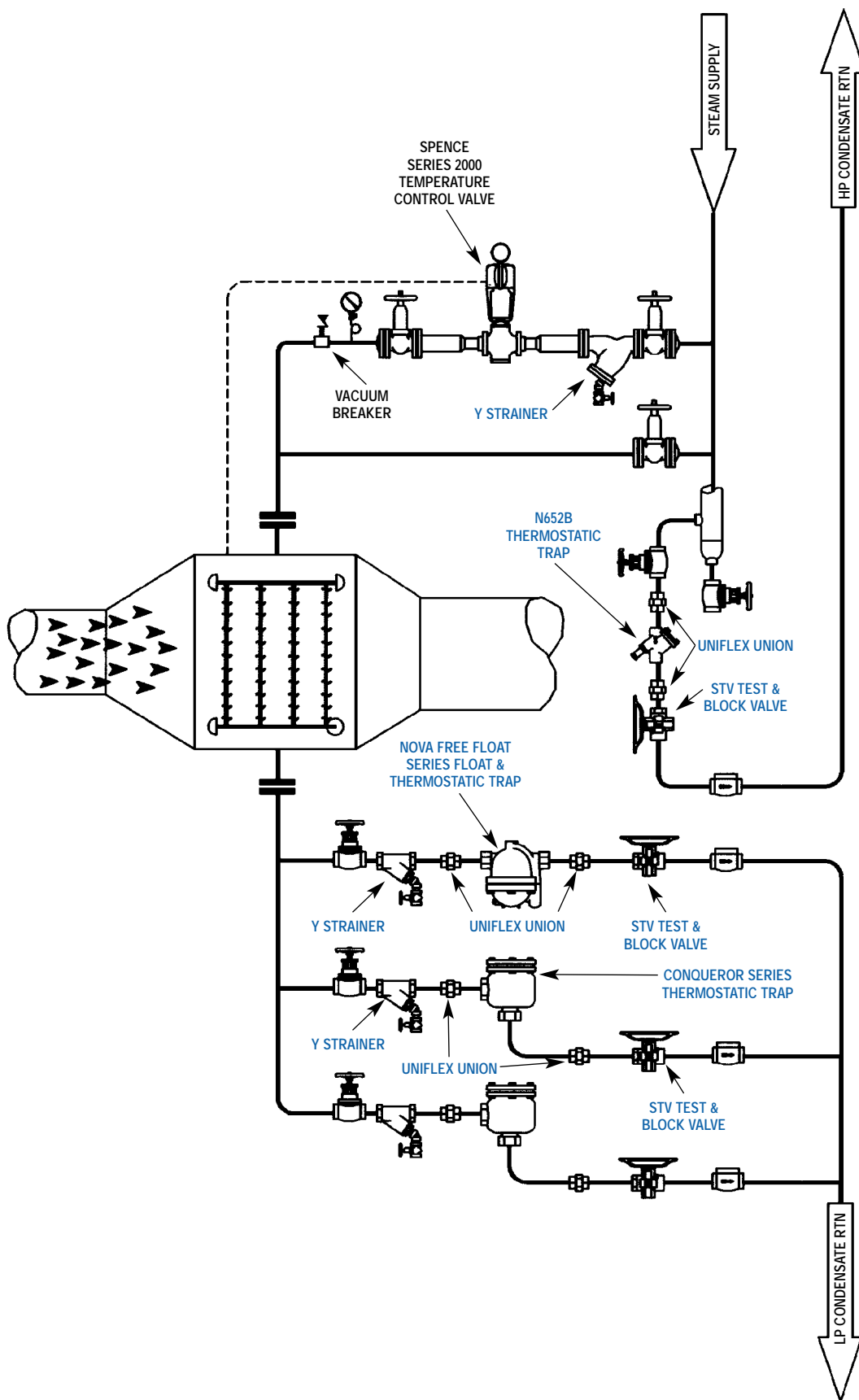
FLASH TANK WITH CONDENSATE BOOSTER PUMP



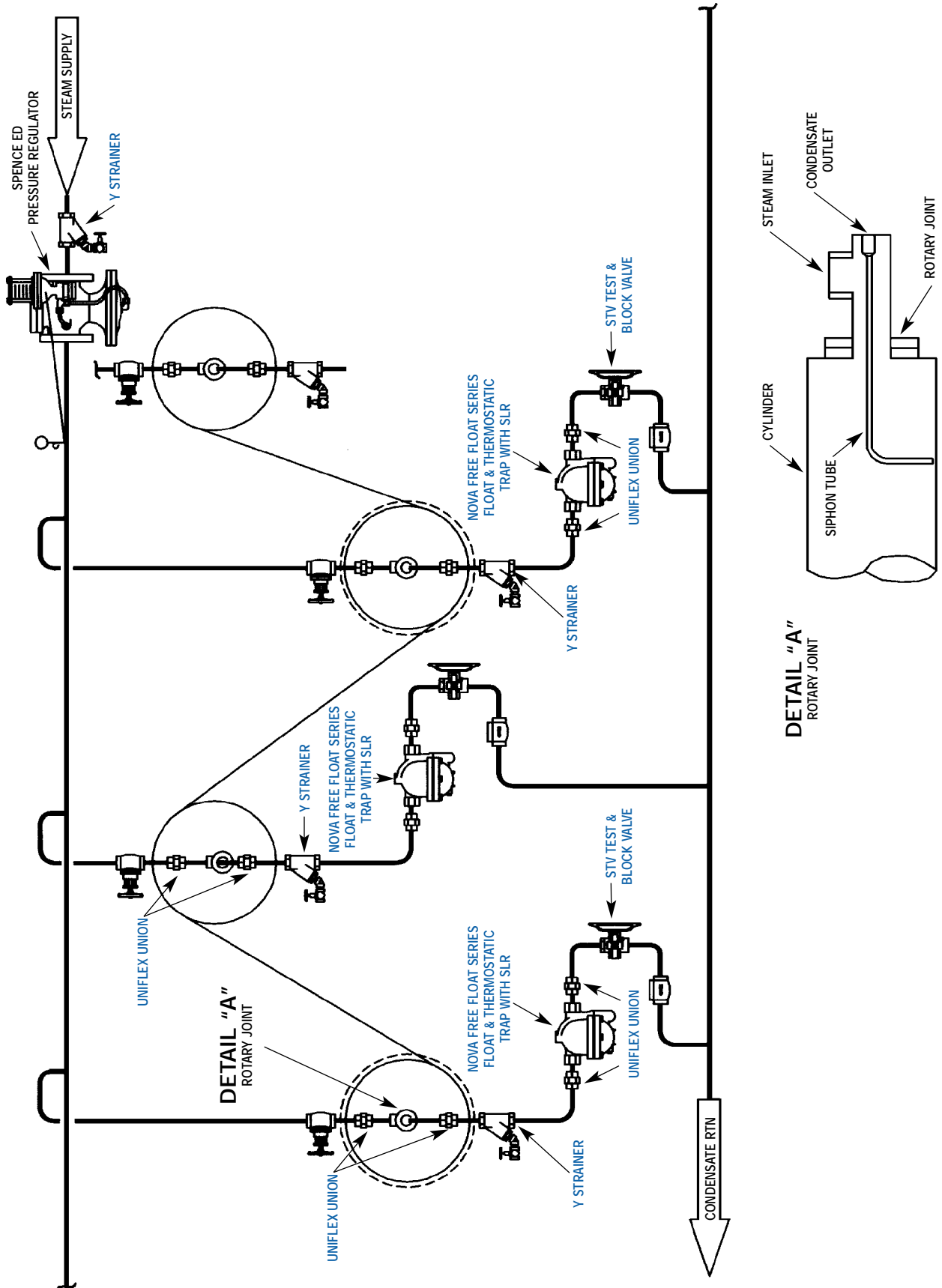
MULTI-COIL AIR HANDLER



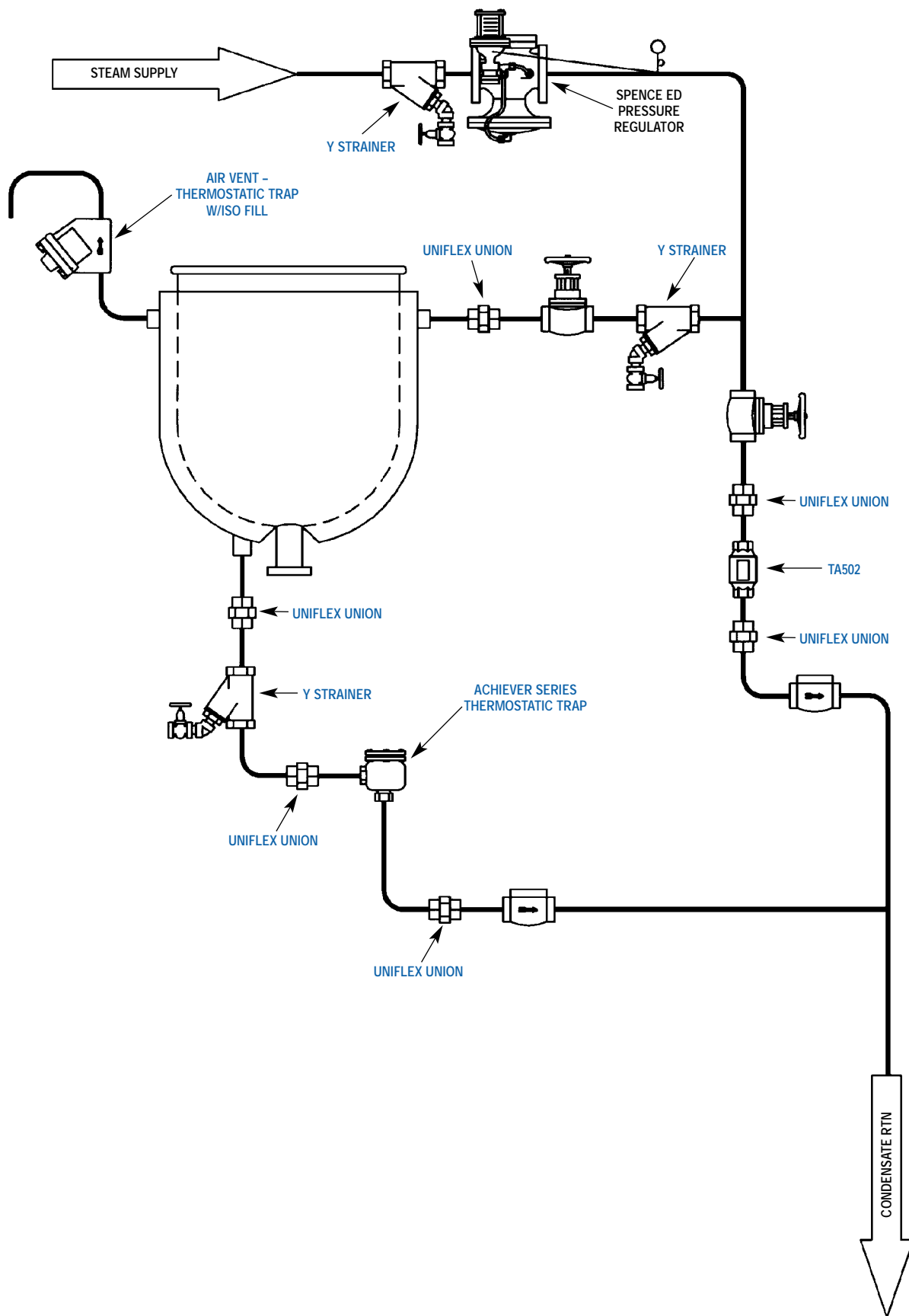
HIGH PRESSURE AIR COIL



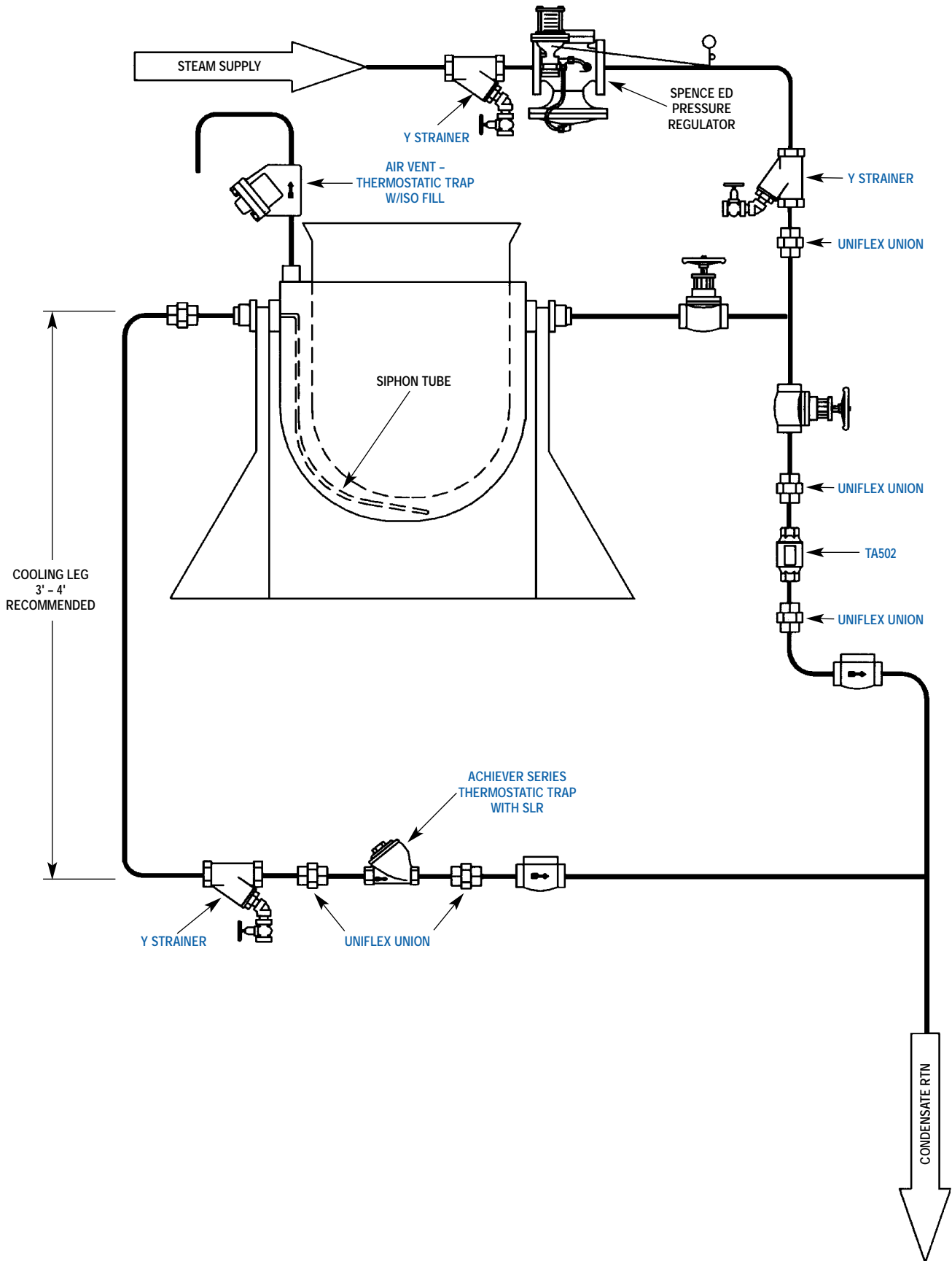
DRY CAN/CALENDER ROLL



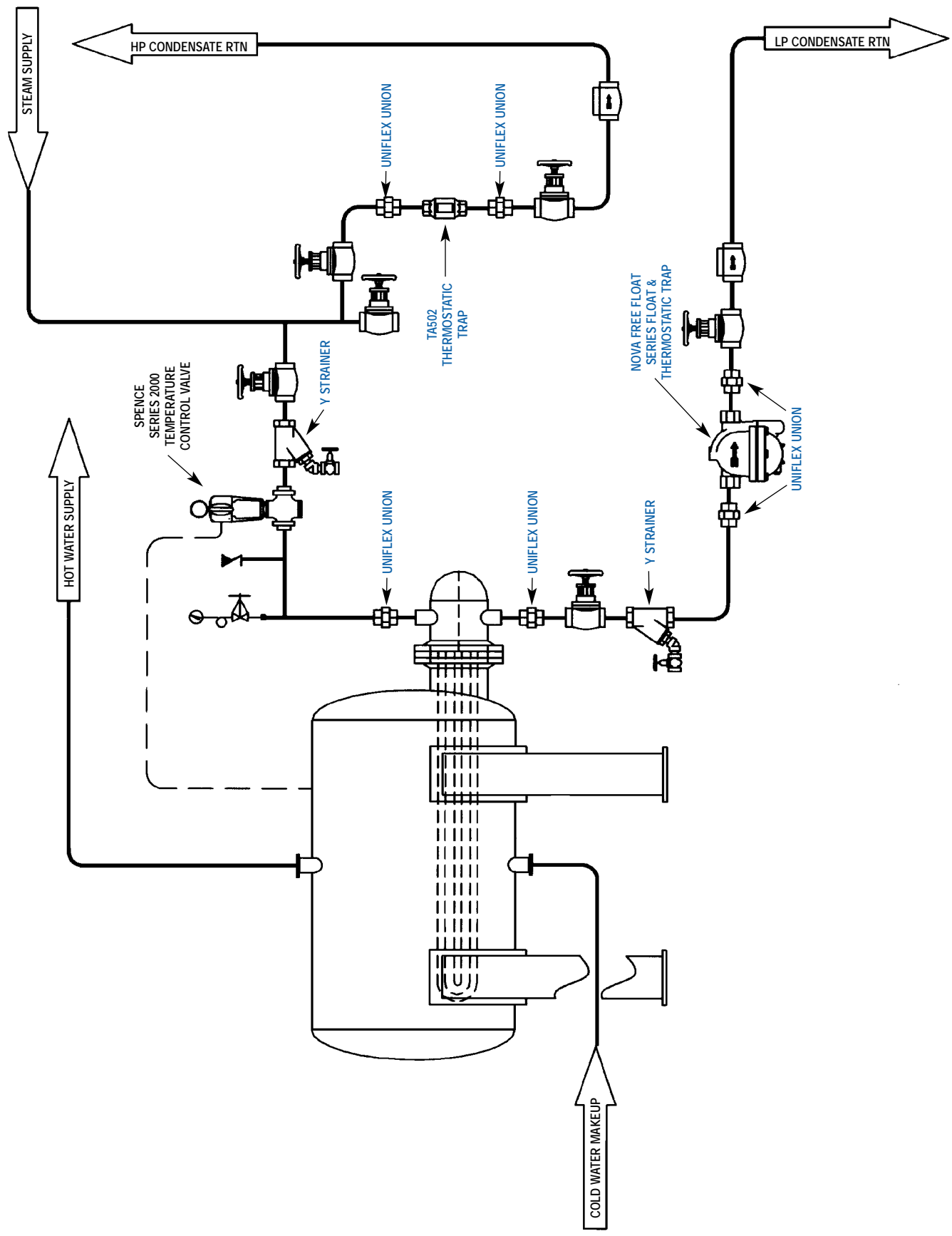
JACKETED KETTLE



TILTING JACKETED KETTLE



DOMESTIC HOT WATER



GLOSSARY OF TERMS

Celtron Cartridge - The thermodynamic capsule comprising the operational components of most Nicholson thermodynamic traps.

Differential Pressure - The pressure upstream of the steam trap less the pressure after the trap is referred to as differential pressure. When sizing Nicholson traps the capacity charts are based on the differential pressures across the trap.

HC - This is a suffix on some Nicholson thermostatic traps indicating a high capacity option. Sometimes called OS.

ISO - See Subcooling fill.

L - A suffix on some Nicholson thermostatic and thermodynamic traps indicating a low capacity option.

OS - See HC

R - A suffix on some Nicholson thermostatic traps indicating a reduced capacity option.

Saturated Temperature - The temperature at which water boils at a given pressure. Water changes phase into steam along a pressure temperature curve. These pressures and temperatures may be found in the steam tables.

Skirted Seat (SK) - This is an option employing a seat that diffuses the condensate discharge reducing the possibility of internal body erosion. This option, available on the N450 and N650, should be specified when the steam service pressure is in the top third of the trap's pressure rating.

Spiral Wound Gasket - This class of gasket is utilized throughout our higher pressure traps and the Uniflex union. It is characterized by utilizing a metal winding, often stainless steel, sandwiching a filler, often a graphite material. While relatively expensive, the sealing performance of this class of gasket is generally considered superior to most others.

Steam Lock Release (SLR) - This is an orifice from .0225 to .03125 inches dependent on model, added to a steam trap to prevent flash steam locking. This option is recommended when condensate piping must rise over an obstacle before draining to a trap. A typical application would be a coil in a kettle whose outlet must rise over the side before dropping to the steam trap. An alternate usage typically involves thermostatic traps in clean steam or sterilizer applications. The SLR is specified to increase sensitivity and minimize condensate backup.

Sterilizer Trim - This option typically employs an alternate seat. Internal geometries are altered in such a fashion that trap sensitivity is increased. The option takes its name from the service often requiring the most sensitive of thermostatic traps. Sterilizer trim is occasionally combined with high capacity and SLR options thus yielding a super sensitive high capacity steam trap.

Subcool - often associated with the sensitivity of a thermostatic trap this term indicates a temperature below the saturated steam curve. Thermostatic traps actuate at temperatures below saturated. Standard Nicholson Traps typically actuate in the 8° to 10°F subcool range i.e. they expel condensate 8° to 10°F below saturated steam temperature.

Subcooling Fill - An optional bellows utilizing an alternate fill enabling the trap to release condensate at 30° to 40°F below saturated temperature. This option should be specified when reducing the volume of flash steam created by condensate is desired or when pressures exceeding 500 psi are expected. Also referred to as ISO.

Welded Bellows - Temperature sensitive, fluid filled bellows opens to let condensate and air out and closes to trap steam in. Welded bellows fail open or fail closed in the event of bellows failure. Welded bellows are available in stainless steel and inconel, depending on model.

STEAM TABLE QUICK REFERENCE CHART

***NICHOLSON* STEAM TRAP, INC.**

PRESS PSIG	TEMP °F	TEMP °C	PRESS PSIG	TEMP °F	TEMP °C	PRESS PSIG	TEMP °F	TEMP °C
0	212	100	85	328	164	290	419	215
1	215	102	90	331	166	300	422	217
3	219	104	95	335	168	320	428	220
5	227	108	100	338	170	340	433	223
8	235	113	110	344	173	360	438	226
10	239	115	120	350	177	380	443	229
15	250	121	130	356	180	400	448	231
20	259	126	140	361	183	420	453	234
25	267	130	150	366	186	440	457	236
30	274	134	160	371	188	460	462	239
35	281	138	170	375	191	480	466	241
40	287	142	180	380	193	500	470	243
45	292	145	190	384	195	520	474	246
50	298	148	200	388	198	540	478	248
55	303	150	215	394	201	560	482	250
60	307	153	230	399	204	580	485	252
65	312	155	245	404	207	600	489	254
70	316	158	250	406	208	620	492	256
75	320	160	260	409	210	640	496	258
80	324	162	275	414	212	660	499	259

NICHOLSON
STEAM TRAP

A division of **CIRCOR** International, Inc.

150 COLDENHAM ROAD, WALDEN, NY 12586-2035

PHONE: (845) 778-5566 • FAX: (845) 778-1072

www.nicholsonsteamtrap.com • email: sales@spenceengineering.com